

Bosch Prosound 12" Ceiling Speaker



Security Systems

en | Installation and User Instructions
LC2-PC60G6-12

BOSCH

Table of Contents

Table of Contents	TOC
Safety First	TOC
Packing List	1
Bosch LC2-PC60G6-12 Models	2
Product Feature Identification	2
Open Ceiling Installation	3
Ceiling Tile Installation	4
Step 1 - Cut the Hole	4
Step 2 - Install C-Ring and Tile Rails	4
Step 3 - Attach Wiring to the Ceramic Connector	5
Step 4 - Mount the Speaker into the Ceiling	6
Step 5 - Connect an Auxiliary Support Line	6
Step 6 - Adjust Tap Selector	7
Step 7 - Insert the Grille	7
Appendix A - Painting the Speaker	8
Appendix B - Specifications	9
Notes	11

Safety First

Suspending any object is potentially dangerous and should only be attempted by individuals who have a thorough knowledge of the techniques and regulations of rigging objects overhead. Bosch strongly recommends that all speakers be suspended taking into account all current national, federal, state and local regulations. It is the responsibility of the installer to ensure that all speakers are safely installed in accordance with all such regulations. When speakers are suspended, Bosch strongly recommends that the system be inspected at least once a year. If any sign of weakness or damage is detected, remedial action should be taken immediately. The user is responsible for making sure that the supporting surfaces, and any additional hardware used, is capable of supporting the loudspeaker. Any hardware used to suspend a loudspeaker array that is not provided by/associated with Bosch is the responsibility of others.

Packing List

Figure	Quantity	Part
A	1	Speaker System
B	1	Grille
C	1	Owner's Manual
D	1	Ceiling Cutout Template
E	1	Paint Shield
F	2	Tile Rails
G	1	C-Ring Support
H	2	Support Ring Screws

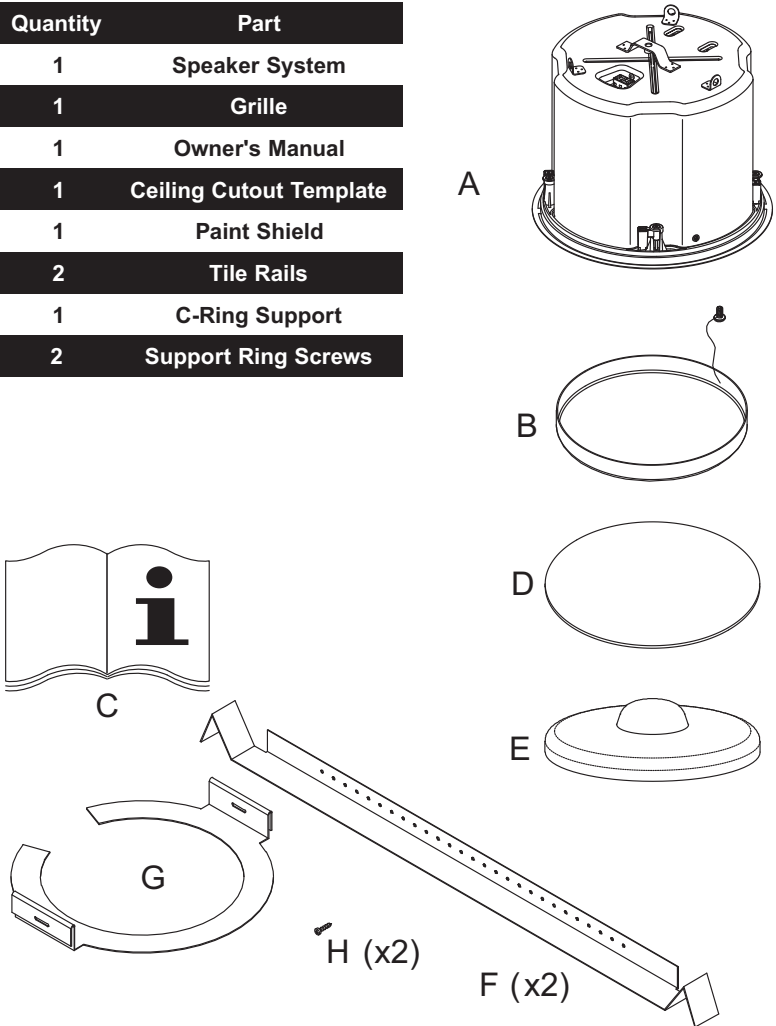


Figure 1: Bosch LC2-PC60G6-12 Packing List

Bosch LC2-PC60G6-12 Models

Model	Description
LC2-PC60G6-12	Prosound 60W12" Ceiling Speaker

Product Feature Identification

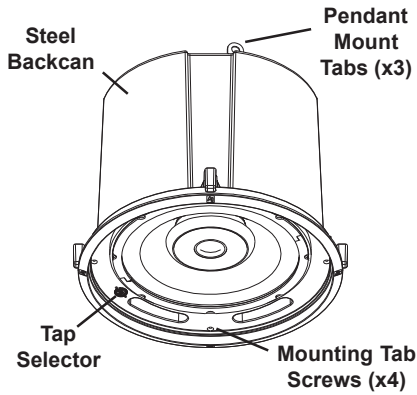


Figure 2: Bottom of Speaker

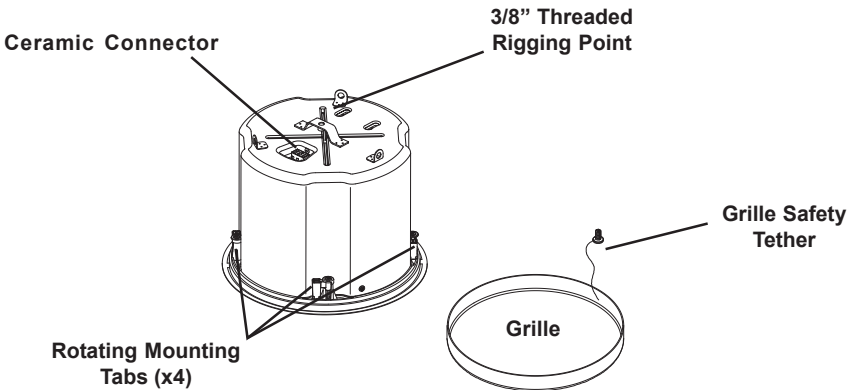


Figure 3: Top of Speaker

Open Ceiling Installation

The Bosch LC2-PC60G6-12 must be suspended from the back of the can in both open ceiling and ceiling tile applications, using either the 3 pendant mount tabs or the 3/8" threaded rigging point. To prevent rattles, rotate the 4 mounting tabs towards the can, then tighten the mounting tab screws.

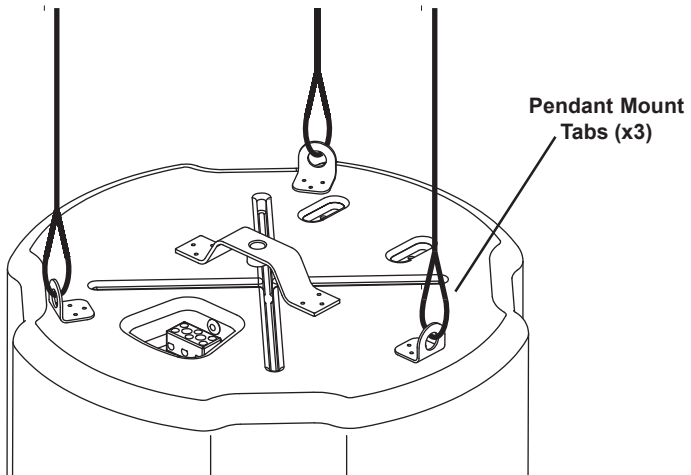


Figure 4a: Pendant Mount Suspension

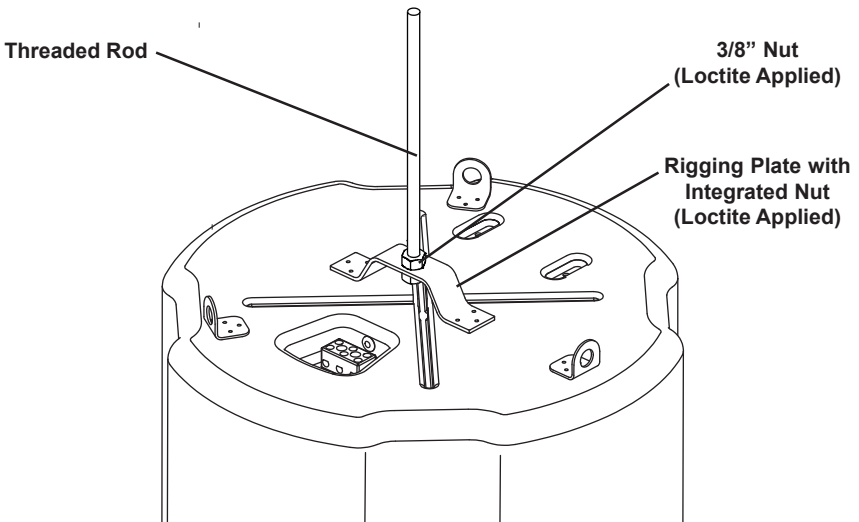


Figure 4b: 3/8" Threaded Rod Suspension

Ceiling Tile Installation

Step 1: Cut the Hole (Figure 5)

Cut out the hole by tracing the cardboard template or with a circular cutter set to the appropriate cutout size. If the wire has been pre-installed, pull the wiring through the cutout hole.

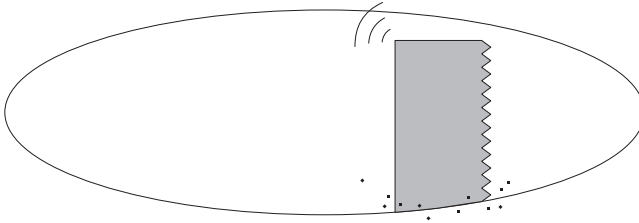


Figure 5: Cut Ceiling Hole

Step 2: Install C-Ring and Tile Rails (Figure 6)

For suspended ceiling installations, insert the C-ring through the hole cut in the ceiling tile. Place the C-ring around the hole with the tabs located as shown in Figure 6. Insert the tile rails through the cut hole in the ceiling tile. Snap the two rails into the two tabs in the C-ring and align the rails so that the ends extend OVER the T-channel grid on the side of the tile. Secure the rails onto the C-ring tabs by inserting a screw through each tab into the rail, as shown in Figure 6.

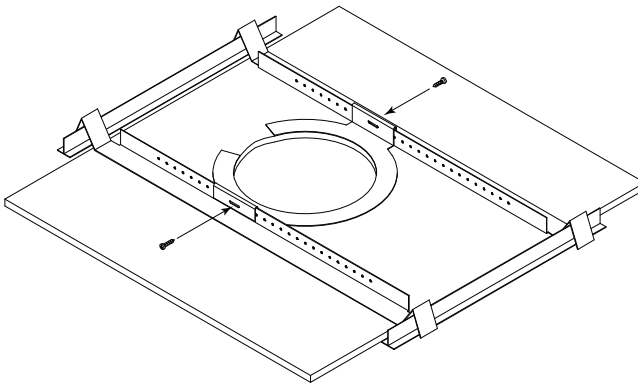


Figure 6: Secure Rails to C-Ring

Installation Note: Tile Rails and C-Ring



The tile rail accessory is designed to fit either standard 24-inch-wide or 600-mm-wide tiles. It is important to note that the tile rail pieces do not actually attach to the T-grid struts. The ends of the rails sit OVER the T-grid strut. Normally, the tile supports the rails. The tile rails are pre-punched at regular intervals with holes along their length. This allows the C-ring to be positioned at any point along the rail. If the tile comes out or falls apart, the ends of the support rails fall onto the T-grid, which prevents the speaker assembly from falling. Always use all included support hardware when installing into suspended ceiling tiles to make sure the installation is secure. For sheetrock ceiling installations, the tile rail is not needed, but the C-ring should be used to reinforce the ceiling material and to spread out the pressure from the speaker hold-down tabs. Guide the C-ring through the cut hole in the ceiling, and place it on the back side of the hole before inserting the speaker.

Installation Note: Ceiling Tile Caution



When mounting the LC2-PC60G6-12 into 2'x2' or 2'x4' suspended ceiling tiles or sheetrock ceilings, DO NOT install the LC2-PC60G6-12 without using either the 3/8" threaded rod rigging point or the pendant mounts. Ceiling tiles are not designed to support any substantial weight and will cause the tile to sag and distort, even with the tile bridge installed. If the cables are used, they MUST be strung taut. The threaded rod or cables MUST support most of the weight of the speaker to ensure that the LC2-PC60G6-12 does not deform the ceiling.

Step 3: Attach Wiring to the Ceramic Connector (Figure 7)

Insert the bare end of wire into the appropriate connector terminals as described below and screw down the hold-down screw until tight, using a small screwdriver.

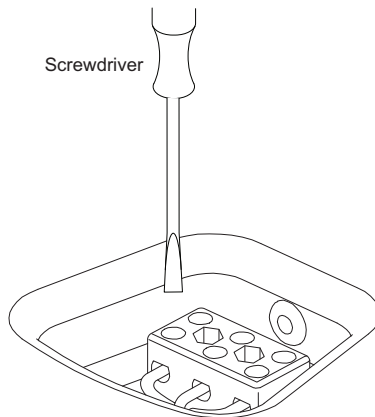


Figure 7: Tighten with Screwdriver

Step 4: Mount the Speaker Into the Ceiling (Figure 8)

Push the speaker into the ceiling hole until the front baffle rim is flush with the ceiling. Tighten the mounting tabs by turning the screw clockwise until the speaker is secure. Please note that the first clockwise quarter turn rotates the attachment tabs outward. The remaining turns tighten the tabs down onto the back of the ceiling surface (see Figure 9).

Installation Note:

See Page 3 for possible installation methods. If 3/8" threaded rod is to be used in a ceiling tile installation, the threaded rod must be installed to the threaded rigging point before installing into the ceiling.

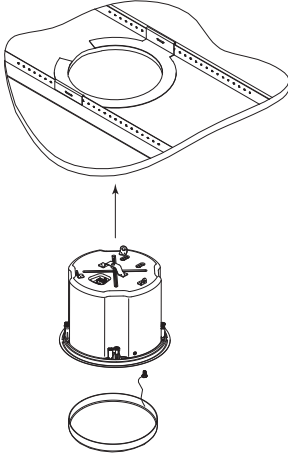


Figure 8: Mount Speaker into Ceiling

Installation Note: Mounting Tabs

For each attachment screw, first turn one half turn counterclockwise to release the counting tab from its guide.

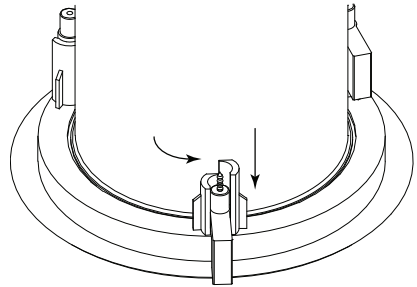


Figure 9: Tighten Mounting Tabs

Appendix A - Painting the Speaker

If the speaker is installed in an area where the interior design requires a color match, the Bosch LC2-PC60G6-12 is simple to paint. The speaker can accommodate almost any type of latex or oil based paint. The bezel/rim can be painted before installation or after mounting into the ceiling.

Painting Process

Clean the rim and grille with mineral spirits or other light solvent. Do not use harsh solvents such as gasoline, kerosene, acetone, or other chemicals. If you use these cleaners you may permanently damage the enclosure. Also, don't use abrasives products such as sandpaper or steel wool. Either by rolling or spraying, apply two or more thin coats of paint. If you are spraying, hold the spray can at the angles shown in Figure 13. If you are painting the grille also, you must first remove the internal grille cloth. Spray painting is strongly recommended. If the grille is rolled or brush painted, the grille may become clogged with paint and the sound quality will suffer. After the paint has dried, replace the internal grille cloth. If you wish to paint the speaker along with the ceiling after installation, insert a plastic or cardboard paint shield into the front of the speaker (see Figure 12) to mask the drivers and internal baffle, paint the speaker, then remove the shield.

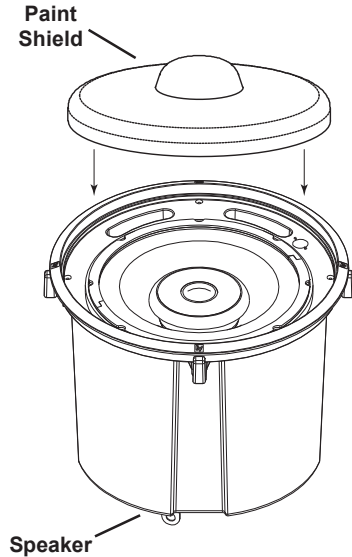


Figure 12: Installing Paint Shield Before Painting

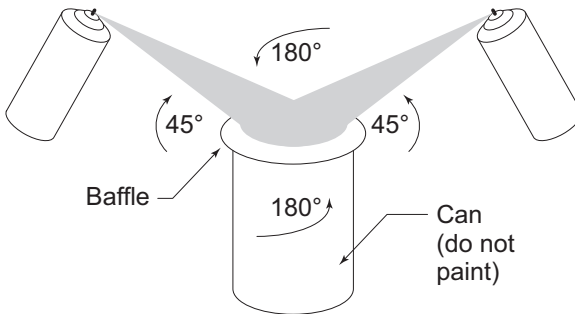


Figure 13: Spray-Painting Angles

Appendix B - Specifications

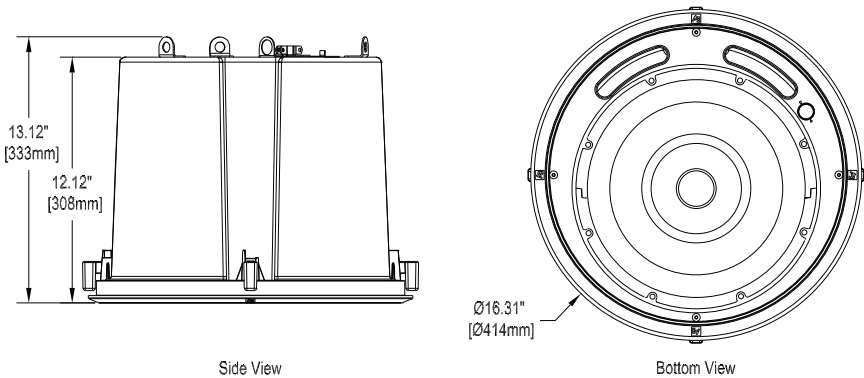


Figure 14: Dimension Drawings

Dimensions (Depth x Diameter):	333mm x 414mm (13.12" x 16.31")
Cutout Diameter:	386mm (15.20")
Weight:	13.3 kg (29.3 lbs)
Cabinet Construction:	Powdercoated Steel Enclosure and UL94V-0 Rated Baffle and Bezel
Transducer:	920-8B, 12 in. (305 mm) High-Efficiency Coaxial Driver
Mounting System:	Integrated 4-Point Toggle Anchors, Integrated 3-Point Pendant Mount, Additional Secondary Mount
Available Colors:	White Baffle (Paintable Surface) with Black Rear Can
Grille Construction:	Powder Coated Steel with Safety Tether
Acoustic Design:	Ported Cabinet, Two-Way Design, Internally Damped, Passive Crossover, 64W Transformer with ASC
Frequency Response:	75 Hz - 20 kHz
Power Handling (8 ohms):	100W RMS
Power Handling (70V):	Up to 64W
Power Handling (100V):	Up to 64W
Sensitivity (SPL 1W/1m):	100 dB
Input Configuration:	8 Ohm; 70V/100V
70V Power Taps:	4W, 8W, 16W, 32W, 64W
100V Power Taps:	8W, 16W, 32W, 64W
Accessories:	Tile Bridge, Mounting Ring

Notes

Notes

© Bosch Security Systems B.V.
Data subject to change without notice
2008-05 | en

BOSCH