



Ceiling Loudspeaker

LC5-WC06E4 and LC5-CBB



BOSCH

en Installation note

1 Installation

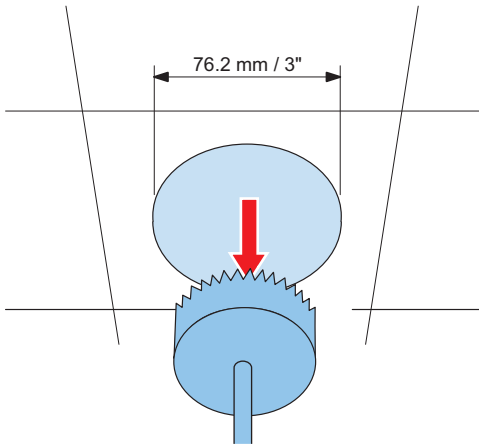


Fig. 1

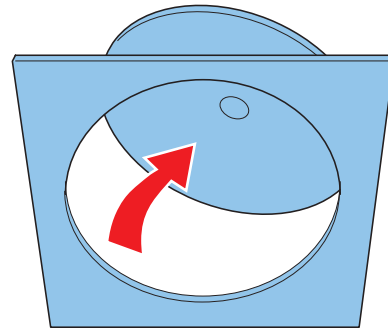


Fig. 2

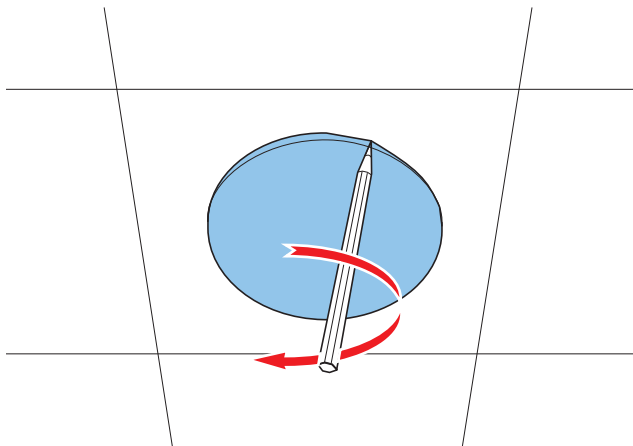


Fig. 3

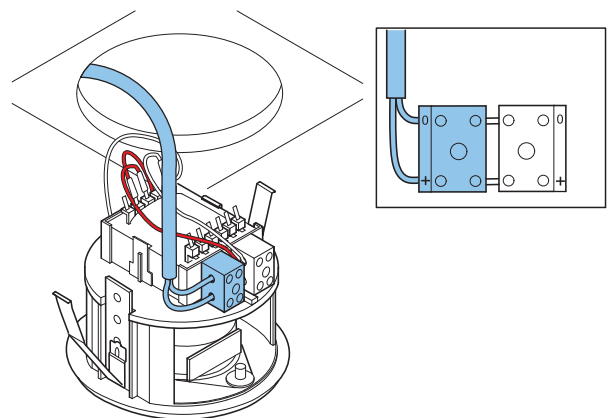


Fig. 4

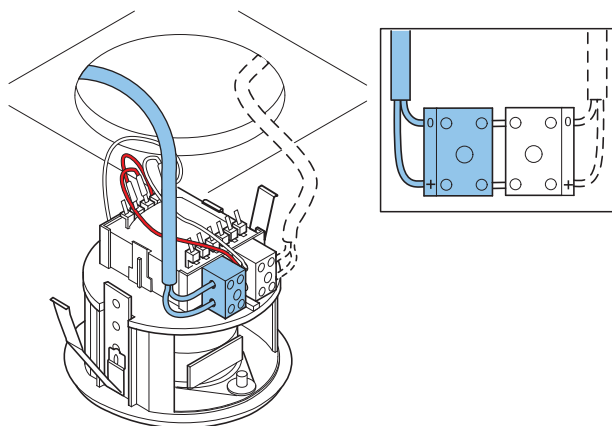


Fig. 5

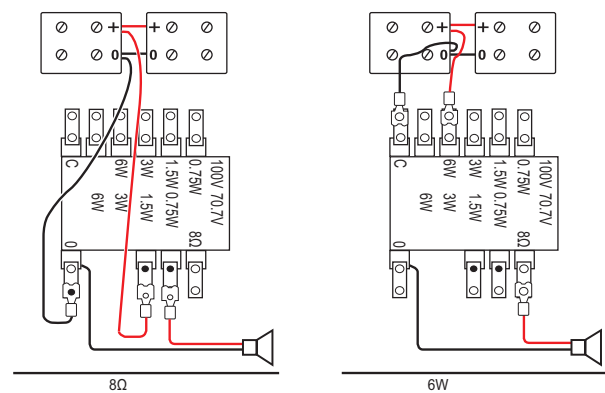


Fig. 6

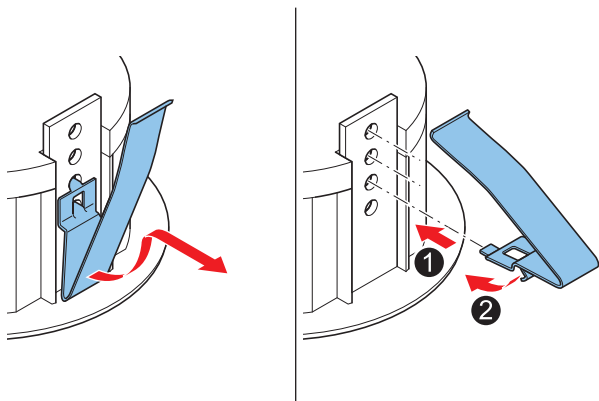


Fig. 7

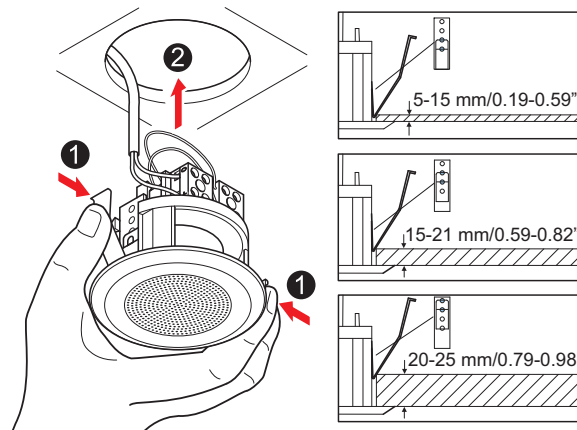


Fig. 8

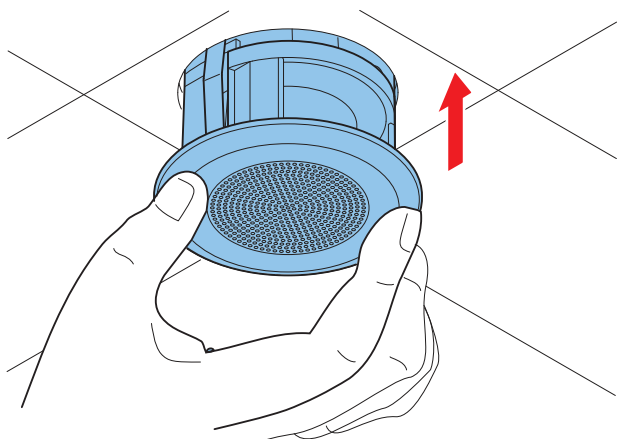


Fig. 9

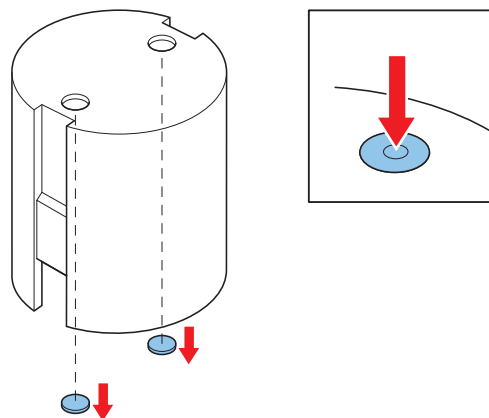


Fig. 10: Optional LC5-CBB

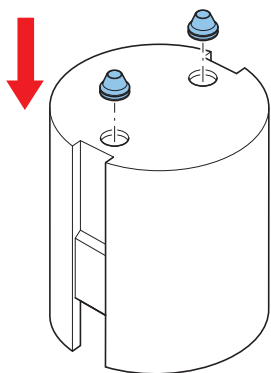


Fig. 11

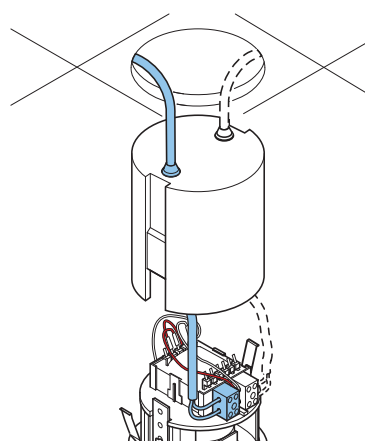


Fig. 12

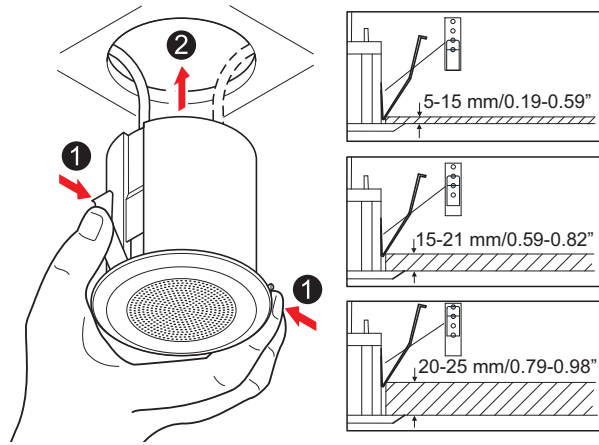


Fig. 13

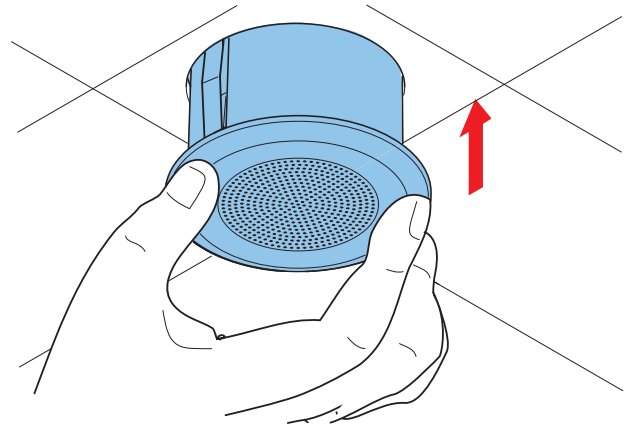


Fig. 14

2 Technical data

Electrical*

		LC5-WC06E4			
Description	Ceiling Loudspeaker				
Maximum power	9 W				
Rated power	6 W (6/3/1.5/0.75W)				
Sound pressure level at 6 W power / 1 W (1 kHz, 1 m)	90 dB / 82 dB (SPL)				
Sound pressure level at 6 W power / 1 W (1 kHz, 4 m)	76 dB / 68 dB (SPL)				
Opening angle at 1 kHz / 4kHz (-6 dB)	180° / 180°				
Effective frequency range (-10 dB)	85 Hz to 20 kHz				
Rated voltage Rated impedance		6.93 V	70 V	100 V	
	6 W	8 Ohm	833 Ohm	1666 Ohm	
	3 W	N.A.	1666 Ohm	3333 Ohm	
	1.5 W	N.A.	3333 Ohm	6666 Ohm	
	0.75 W	N.A.	6666 Ohm	13333 Ohm	
Electrical connection	2x two-way screw terminal block				
Acceptable wire gauge	0.5 – 2 mm				

*Technical performance according to IEC 60268-5

Mechanical

		LC5-WC06E4
Description	Ceiling Loudspeaker	
Diameter	88 mm (3.46 in)	
Mounting cut-out	76 mm (2.99 in)	
Min./Max. ceiling thickness	5 to 25 mm (0.19 to 0.98 in)	
Maximum depth	78 mm (3.07 in)	
Material	ABS (V 0)	
Weight	395 g (0.87lb)	
Color	White (RAL 9003)	

	LC5-CBB
Description	Back-Box
Diameter	75 mm (2.95 in)
Maximum depth	83.5 mm (3.29 in)
Material	ABS (V 0)
Weight	41 g (0.09 lb)
Color	White (RAL 9003)

Environmental

Operating temperature	-25 °C to +55 °C (-13 °F to +131 °F)
Storage and transport temperature	-40 °C to +70 °C (-40 °F to +158 °F)
Relative humidity	<95%

Note:

- The specification data is measured in an anechoic chamber, on a standard baffle
- The reference axis is perpendicular to the center point of the front grille
- The reference plane is perpendicular to the center of the reference axis
- The horizontal plane is perpendicular to the center of the reference plane

2.1

Certification and Approvals

Safety	According to EN 60065
Water and dust protected*	According to EN 60529 IP 44
Emergency*	According to EN 54-24 Compliant to BS 5839 part 8
Salt mist*	According to IEC 60068-2-11
Chlorine resistant*	According to IEC 60068-2-60

* With LC5-CBB back-box.


 1438
Bosch Security Systems BV Torenallee 49, 5617 BA Eindhoven, the Netherlands 14 1438-CPR-0372
EN 54-24:2008 Loudspeaker for voice alarm systems for fire detection and fire alarm systems for buildings Ceiling loudspeaker LC5-WC06E4 with enclosure LC5-CBB Type B DoP: LP022927

Figure 2.1:

2.2 Additional technical data

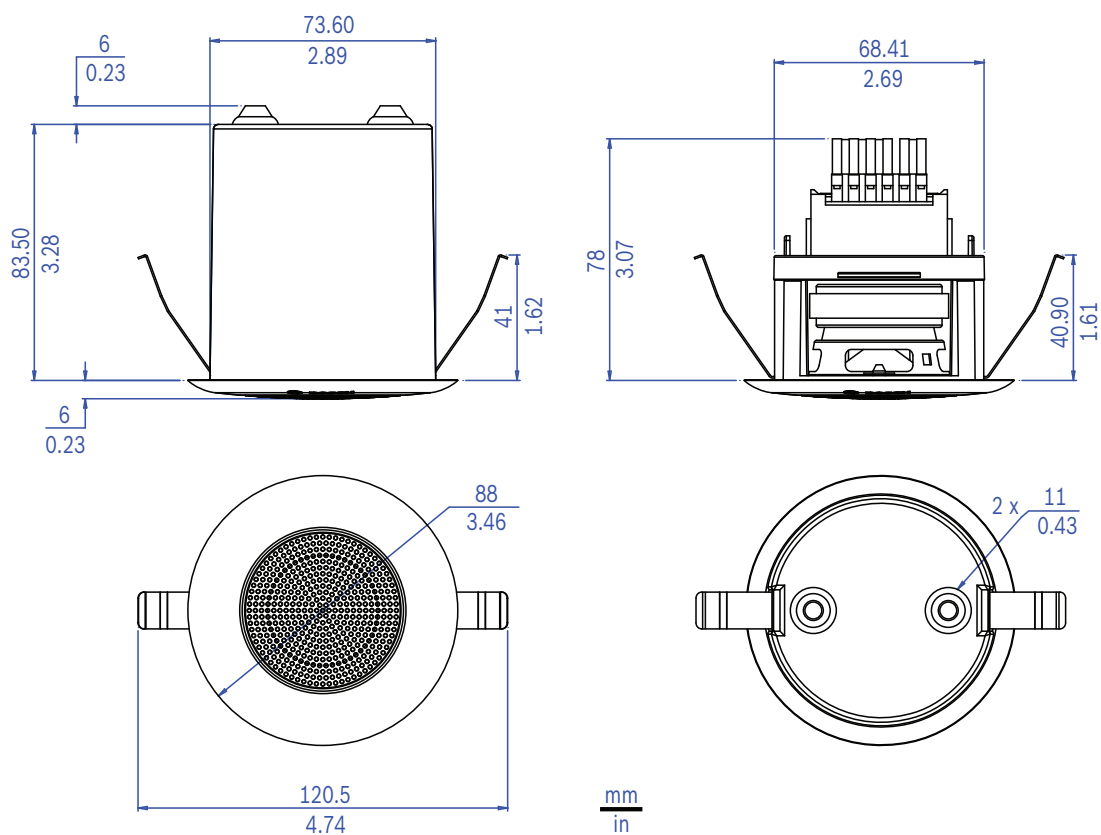


Figure 2.2: Dimensions: LC5-WC06E4 and LC5-CBB

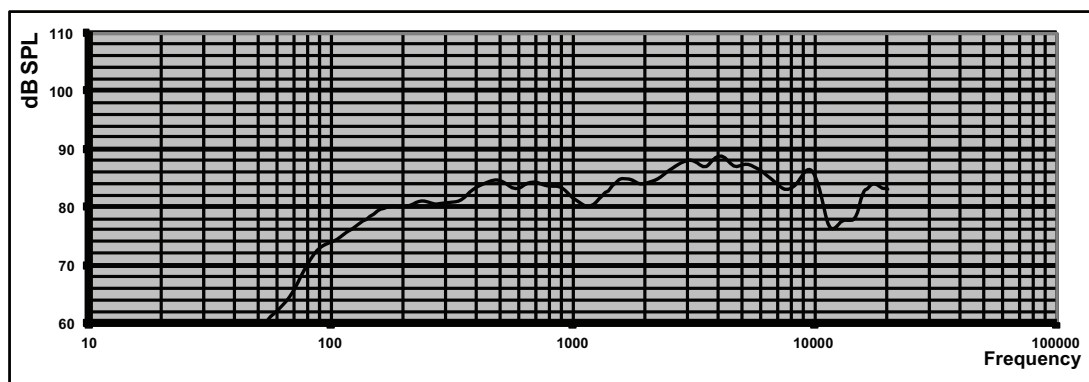


Figure 2.3: Frequency response

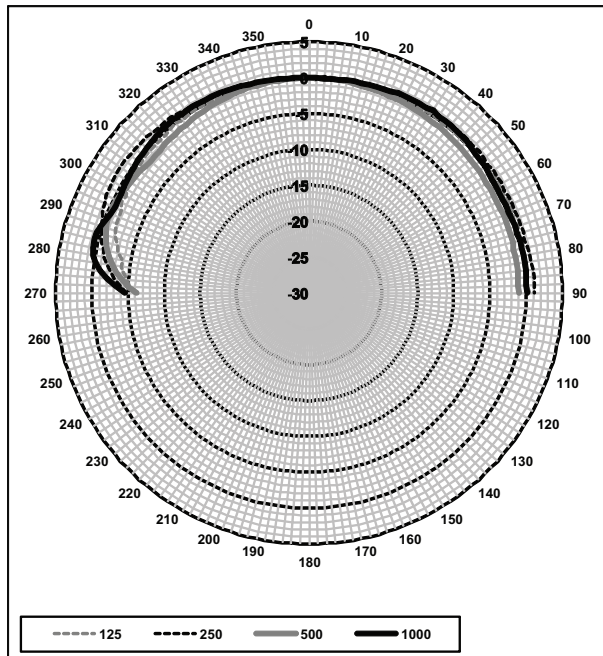


Figure 2.4: Horizontal/vertical polar diagram (low frequency). Normalized at 0-degrees axis.

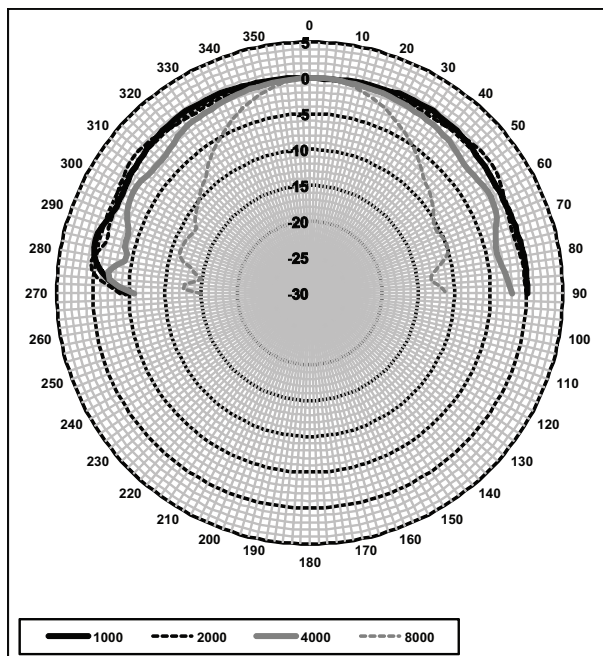


Figure 2.5: Horizontal/vertical polar diagram (high frequency). Normalized at 0-degrees axis.
(all measurements are done with a pink noise signal; the values are in dB SPL)

Bosch Security Systems B.V.

Torenallee 49

5617 BA Eindhoven

Netherlands

www.boschsecurity.com

© Bosch Security Systems B.V., 2017