

Features

Low current, 24 VDC electronic design

Diode polarized input for connection to reverse polarity, supervised Notification Appliance Circuit

Red housing with white "FIRE" lettering

Convenient semi-flush or surface wall mounting:

- Mounts to standard 4-inch square outlet box
- In/out wiring terminals for 18 to 12 AWG
- Surface mounting requires adapter plate 4905-9909

High impact, flame retardant PC/ABS thermoplastic

Compatible with Simplex modular audible/visible adapter plates

- Models 4905-9921 and 4905-9925

UL listed to Standard 464

Description

The Simplex 4901-9822 electronic horn is an audible notification appliance that provides a loud and penetrating output. Horn output is a steady, harmonically rich sound that can be easily coded by the controlling notification appliance circuit (NAC).

This horn will mount semi-flush on a standard 4" square (102 mm) electrical box and has wiring terminals capable of accepting up to 12 AWG wire. Optional accessories are available to increase mounting and application flexibility (refer to page 2 for details).



4901-9822 Electronic Horn

Specifications

Rated Voltage Range**	16 VDC to 33 VDC
Current	25 mA
Wire Size	18 AWG to 12 AWG (0.82 mm ² to 3.31 mm ²)
Sound Output @ 10 ft (3m) per UL 464 Reverberant Chamber Test	80 dBA @ 16 VDC 85 dBA @ 33 VDC
Frequency Output	2400 to 3700 Hz sweep, modulated at 120 Hz rate
Operating Temperature Range	32° F to 120° F (0° C to 49° C)
Humidity Range	10% to 95%, Non-condensing @ 86° F (30° C)
Housing Dimensions	4-3/4" H x 4-3/4" W x 1-3/16" D (121 mm x 121 mm x 30 mm)
Total Depth	1-13/16" (46 mm)
Extension into Box	5/8" (16 mm)

** The rated voltage range listed is the absolute operating range. Operation outside of this range may cause permanent damage. Please note that 16 VDC is the lowest operating voltage that is allowed at the last appliance on the notification appliance circuit under worst case conditions. NAC voltage drops and standby battery calculations should be made using anticipated operating conditions.

* This product has been approved by the California State Fire Marshal (CSFM) pursuant to Section 13144.1 of the California Health and Safety Code. See CSFM Listing 7135-0026:236 for allowable values and/or conditions concerning material presented in this document. It is subject to re-examination, revision, and possible cancellation. Accepted for use – City of New York Department of Buildings – MEA35-93E. This product was not ULC listed as of document revision date. Additional listings may be applicable; contact your local Simplex product supplier for the latest status. Listings and approvals under Simplex Time Recorder Co. are the property of Tyco Safety Products Westminster.

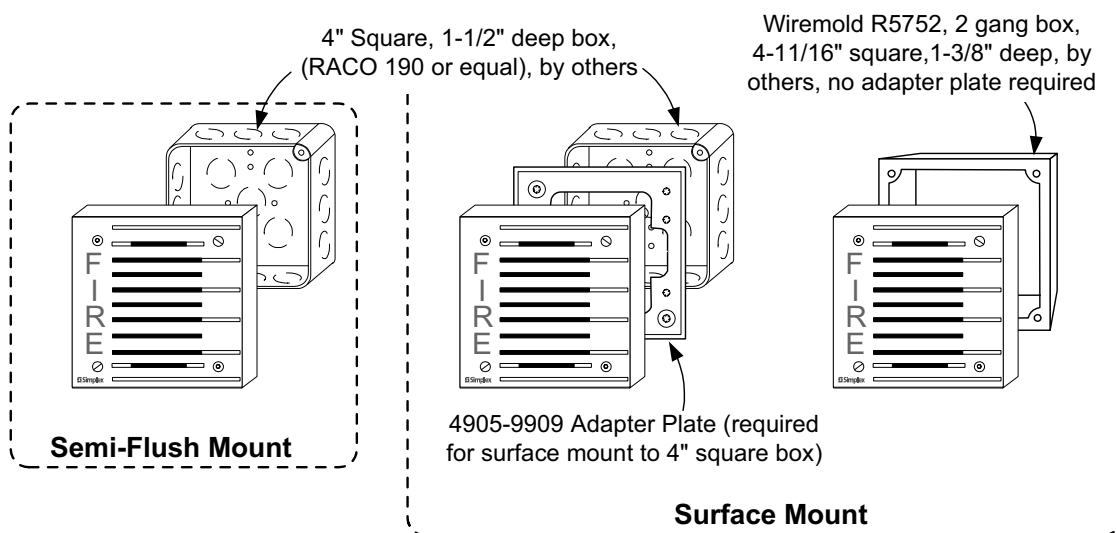
Product and Accessories

Model	Description
4901-9822	Electronic Horn, red housing with white "FIRE" lettering

Accessories

Model	Description
4905-9909	Surface Mount Adapter Plate, zinc plated; 4-7/8" square (124 mm), required for mounting to surface mount 4" (102 mm) square box
4905-9921	Modular Adapters for combining audible and visible notification appliances onto a common mounting plate (refer to Simplex data sheet S4903-0007)
4905-9925	

Mounting Information



Tyco, Simplex, and the Simplex logo are trademarks of Tyco International Services AG or its affiliates in the U.S. and/or other countries.



Tyco Safety Products Westminster • Westminster, MA • 01441-0001 • USA
www.tycosafetyproducts-usa-wm.com

S4901-0009-2 4/2005

© 2005 Tyco Safety Products Westminster. All rights reserved. All specifications and other information shown were current as of document revision date and are subject to change without notice.