

Fixed Outdoor Vandal Resistant Environmental Housing

The UNI-ORBC2 is an outdoor, vandal resistant, fixed camera housing. The enclosure also includes a feed-thru wall / pole mount, adjustable sunshield and multiple power inputs (24Vac or 12vdc). The UNI-ORBC2 is compatible with the following Sony camera models: Network: SNC-CH and VB series fixed network cameras. Analog: SSC-FB, CB, G, and YB DC12V/AC24V series fixed analog cameras. Hybrid: SNC-ZB series hybrid cameras.



KEY FEATURES

- Compatible with: Network: SNC-CH and VB series fixed network cameras.
- Compatible with: Analog: SSC-FB, CB, G, and YB DC12V/AC24V series fixed analog cameras.
- Compatible with: Hybrid: SNC-ZB series hybrid cameras.
- Meets NEMA type 4 standards.
- IP66 rated for superior moisture and dust ingress protection.
- Power input of 24 VAC or 12 VDC with 24 VAC or 12 VDC output to the camera.
- Accommodates wide-angle lenses up to 135°.
- Standard with hinged pass-thru wall / pole mount for easy installation.
- 3/4 inch conduit input.
- IK10 impact rated.
- Adjustable Sunshield.

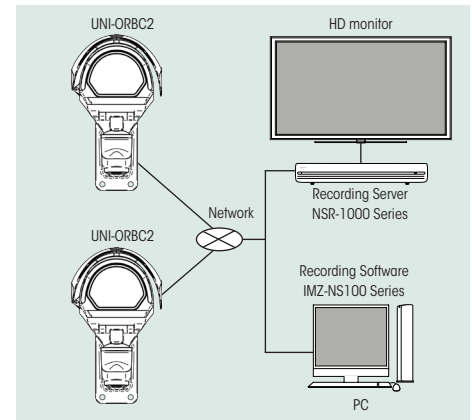
BID SPECIFICATIONS

- The outdoor, vandal resistant, fixed, camera housing shall be a Sony model UNI-ORBC2. The housing shall be designed for the SNC-CH110 / 120 / 140 / 210 / 220 / 240 series of network cameras and the SSC-CFB560 / 530, SSC-G213A / 113A and SSC-G203A / 103A series of analog cameras. The heater / blower, and camera, are all powered by a single power input (24Vac or 12Vdc).
- The UNI-ORBC2 is intuitively designed with features such as a side hinge that allows for easy camera servicing and setup, a snap-in camera mounting sled for simple and secure camera installation, a strategically placed heater to optimize air-flow to the housing window and camera lens, and a heavy duty cast aluminum feed-thru wall / pole mount with 3/4 inch conduit input for simplified maintenance.
- The UNI-ORBC2 is designed to operate in harsh environments and temperatures reaching -40°C to 50°C. The built-in thermostatic controls activate the heater at 25°C and deactivate at 30°C. Maximum wind load rating is 150mph (240 kph) with an effective projected area (EPA) of 101 in².

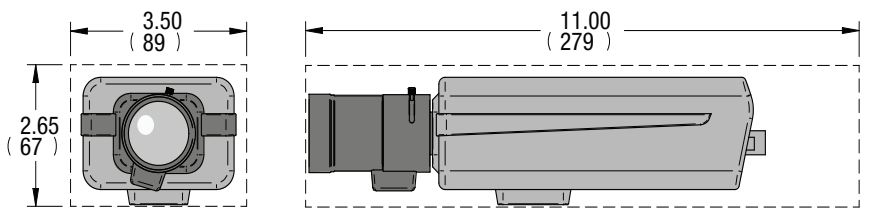
SPECIFICATIONS

UNI-ORBC2	
Mechanical	
Size (L x W x H)	17.9 x 5.7 x 10.5 inches (455 x 145 x 267mm)
Weight	4.5 lbs. (2.0 kg) without camera
Construction body	Polycarbonate
Max camera length	11 inches (280mm)
Mounting bracket construction	Cast aluminum
Mounting style	Wall or Pole
Mounting pattern (W x H)	2 x 4.25 inches (51 x 108mm)
Window construction	Scratch resistant polycarbonate
Environmental	
Operating temperature	-40°F to 122°F (-40°C to 50°C)
Heater activates at	77°F (25°C)
Heater deactivates at	86°F (30°C)
Blower	Yes (Continuous)
Effective Projected Area (EPA)	101 in ²
IP rating (weather rating)	IP66 / NEMA 4
Maximum windload	150 mph (240 kph)
Model	
UNI-ORBC2	UNI-ORBC2 Environmental outdoor IP66 housing with feed-thru wall / pole mount, with adjustable sunshield
Electrical	
Input voltage	12 / 24v input model
Power consumption	24 VAC: 27 watts: heater and blower, 12 VDC: 13 watts: heater and blower
Power output	24 / 12v: Same as input, minus power for heater and blower
Shipping	
Weight	6.5 lbs (2.9 kg)
Box dimensions	8.25 x 11.75 x 19.5 inches (209 x 298 x 495mm)

SYSTEM CONFIGURATIONS



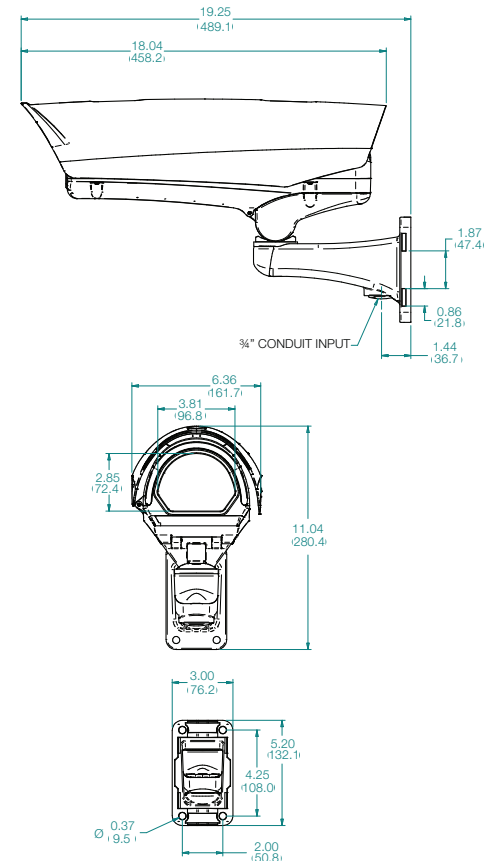
CAMERA LENGTH DIAGRAM



*Some cameras outside of the shown dimensions may be compatible with this housing. Contact us for assistance.

DIMENSIONS

Unit: inches (mm)



© 2013 Sony Electronics Inc. All rights reserved.
 Reproduction in whole or in part without written permission is prohibited.
 Features and specifications are subject to change without notice.
 Weights and measurements are approximate.
 Sony and the Sony make.believe logo are trademarks of Sony.

Sony Professional
www.pro.sony.eu/videosecurity