

NXL

HOUSING FOR LARGE ZOOM LENSES IN AGGRESSIVE ENVIRONMENTS

MAIN FEATURES

Made of AISI 316L electropolished stainless steel

IP66/IP67

Cylindrical body enclosed by two circular flanges, 12mm (0.47in) thick the front flange and 9mm (0.35in) thick the back flange

4 PG13,5 cable glands nickel-plated brass for external connections

Available accessories: heater, camera power supply, wiper, washer pump

DESCRIPTION

The NXL housing, entirely constructed from AISI 316L electropolished stainless steel, has been designed to accommodate large cameras and zoom lenses. The housing is conceived to operate in special environments such as salt water applications like marine or coast patrol, industrial or chemical applications, and where external agents are highly corrosive.

A wide range of accessories is available: heater, camera power supply, NXWBL stainless steel wall bracket, and the VIPNXL wiper.

The NXL housing can be installed on NXPTH Pan & Tilt head, to obtain a complete positioning system.



NXL



NXL + VIPNXL



NXL + NXWBL



NXL + VIPNXL + NXPTH + NXFWBT + NXWBPTH

AVAILABLE MODELS

Model Number	Sunshield	Heater 120/230Vac	Heater 12Vdc/24Vac	Max consumption
NXL1K1000	✓	✓	–	40W
NXL2K1000	✓	–	✓	20W

TECHNICAL DATA

GENERAL

Constructed from electropolished stainless steel (austenitic alloy stainless steel, corrosion and heat resistant according to the following standards):

- AISI 316L
- UNI 6900-71: X 2 Cr Ni Mo 17 12 2
- DIN 17006: X 2 Cr Ni Mo 17 13 2
- N° werkstoff 1.4404
- AFNOR: Z2 CND 17-12
- BSI: 316S11

The screws utilised are in austenitic alloy stainless steel, corrosion and heat resistant according to the following standards:

- ISO: 7380
- AISI: 316
- ISO quality: A4
- Resistance class ISO: from 50 to 70

MECHANICAL

Cable glands: 4xPG13.5 (nickel-plated brass for external connections)

Flange thickness: 12mm (front), 9mm(back)

External body polishing

Gaskets: High sealing O-ring

Tempered window glass

- Dimensions (Ø): 168mm (6.6in) (external), 150mm (5.9in) (usable diameter)
- Thick: 4mm (0.2in)

External dimensions (ØxL): 200x583mm (7.9x22.9in)

Internal usable area (WxH): 112x112mm (4.4x4.4in)

Internal usable length

- Without accessories: 562mm (22.1in)
- With heater: 477mm (18.7in)
- With power supply and connection board: 465mm (18.3in)

Unit weight: 13kg / 28.7lb

ELECTRICAL

Heater (Ton 15°C±3°C (59°F±5°F), Toff 22°C±3°C (72°F±5°F))

- Power supply/Consumption: IN 12Vdc/24Vac, 20W max
- Power supply/Consumption: IN 120/230Vac, 40W max

Camera power supply

- IN 100-240Vac - OUT 12Vdc, 50/60Hz, 1A
- IN 230Vac - OUT 24Vac, 50/60Hz, 400mA

ENVIRONMENT

Indoor/Outdoor

Operating temperature (with heater): -20°C (-4°F)/+60°C (140°F)

CERTIFICATIONS

Electrical safety (CE): EN60065

Electromagnetic compatibility (CE): EN50130-4, EN61000-6-3

IP protection degree: EN60529 (IP66/IP67, with cable glands)

EAC certification

ACCESSORIES

ONXLH1	Heater 120/230Vac
ONXLH2	Heater 12Vdc/24Vac
ONXPS1B	Wide range power supply for camera IN 100-240Vac - OUT 12Vdc, 1A
ONXPS2B	Camera power supply IN 230Vac - OUT 24Vac, 400mA
VIPNXL1C	230Vac stainless steel wiper for NXL housing
VIPNXL2C	24Vac stainless steel wiper for NXL housing
WASOV5L5M00	Water tank 5l (1 gal), pump with delivery up to 5m (16ft), IN 230Vac-24Vac-120Vac
WASOV23L5M00	Water tank 23l (6 gal), pump with delivery up to 5m (16ft), IN 230Vac-24Vac-120Vac
WASOV23L11M00	Water tank 23l (6 gal), pump with delivery up to 11m (36ft), IN 230Vac-24Vac-120Vac
WAS1V23L30M00	Water tank 23l (6 gal), pump with delivery up to 30m (98ft) with water floating, IN 230Vac
WAS3V23L30M00	Water tank 23l (6 gal), pump with delivery up to 30m (98ft) with water floating, IN 120Vac
WASPTOV5L5M00	Water tank 5l (1 gal), pump with delivery up to 5m (16ft), IN 230Vac-24Vac-120Vac
WASPTOV23L5M00	Water tank 23l (6 gal), pump with delivery up to 5m (16ft), IN 230Vac-24Vac-120Vac
WASPTOV23L11M00	Water tank 23l (6 gal), pump with delivery up to 11m (36ft) with water floating, IN 230Vac-24Vac-120Vac
WASPT1V23L30M00	Water tank 23l (6 gal), pump with delivery up to 30m (98ft) with water floating, IN 230Vac
WASPT3V23L30M00	Water tank 23l (6 gal), pump with delivery up to 30m (98ft) with water floating, IN 120Vac
DTWRX	Data receiver for remote control of the wiper and WASPT range pumps in stand-alone housings

RELATED PRODUCTS

NXPTH Stainless steel P&T motor

BRACKETS AND ADAPTORS

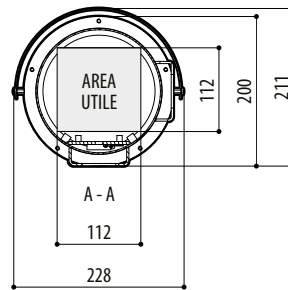
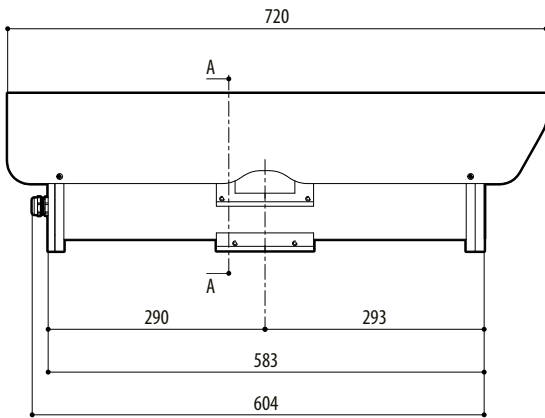
NXWBL Stainless steel wall bracket with joint

PACKAGE

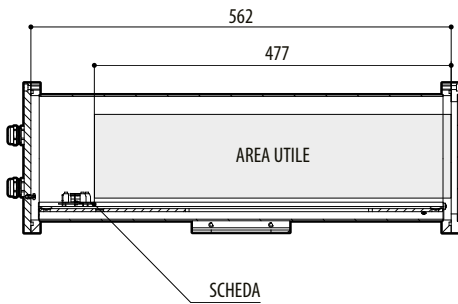
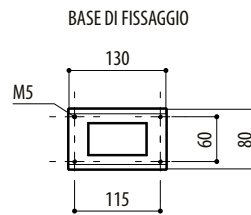
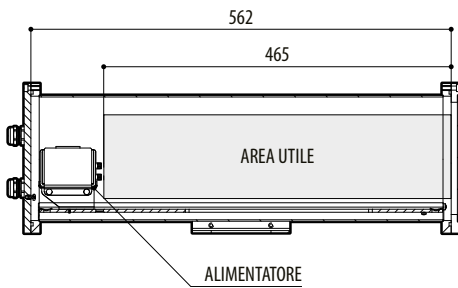
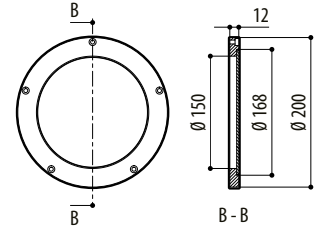
Model Number	Weight	Dimensions (WxHxL)	Master carton
NXL1K1000	15kg (33.5lb)	29.5x35x75cm (11.6x13.8x29.5in)	-

TECHNICAL DRAWINGS

Sizes in millimeters.



FLANGIA FRONTALE



NXL