

NXM**CAMERA HOUSING FOR INSTALLATION IN AGGRESSIVE ENVIRONMENTS****MAIN FEATURES**

Made of AISI 316L electropolished stainless steel

IP66/IP68, submersible down to -50m (-164ft), equal to 5 bar max pressure

Cylindrical body enclosed by two 9mm(0.4in)-thick circular flanges

2 PG13,5 cable glands nickel-plated brass for external connections

Available accessories: heater and double heater (for temperatures down to -40°C (-40°F), camera power supply, air barrier + air filtering group and washer pump

DESCRIPTION

The NXM housing, entirely constructed from AISI 316L electropolished stainless steel, is designed to operate in special environments such as marine, industrial, chemical and where the external conditions are highly corrosive.

In order to prevent the formation of dust deposit, the housing can be equipped with a flange designed to create an air barrier in front of the glass.

The air, normally drawn from a compressor, can be purified by the optional filter group.

The options of wiper and water pump ensure a constant cleaning of the front window

The NXM housing can be installed on NXPTH Pan & Tilt head, to obtain a complete positioning system.



NXM



NXM + VIPNX



NXM + VIPNX + NXPTH + NXFWBT + NXWBPTH1

AVAILABLE MODELS

| Model Number | Sunshield | Heater 120/230Vac | Heater 12Vdc/24Vac | Double heater 120/230Vac | Max consumption |
|--------------|-----------|-------------------|--------------------|--------------------------|-----------------|
| NXMOD1000B | – | – | – | – | – |
| NXM1K1000B | ✓ | ✓ | – | – | 40W |
| NXM2K1000B | ✓ | – | ✓ | – | 20W |
| NXM1K1050 | ✓ | – | – | ✓ | 80W |

TECHNICAL DATA**GENERAL**

Constructed from electropolished stainless steel (austenitic alloy stainless steel, corrosion and heat resistant according to the following standards):

AISI 316L

UNI 6900-71: X 2 Cr Ni Mo 17 12 2

DIN 17006: X 2 Cr Ni Mo 17 13 2

N° werkstoff 1.4404

AFNOR: Z2 CND 17-12

BSI: 316S11

The screws utilised are in austenitic alloy stainless steel, corrosion and heat resistant according to the following standards:

- UNI 6900: X 5 Cr Ni Mo 1712
- AISI: 316
- ISO quality: A4
- Resistance class ISO: 80

UNI: Ente Nazionale Italiano di Unificazione, AISI: American Iron and Standard Institute, DIN: Deutsche Industrie Normen, AFNOR: Association Française de Normalisation, BSI: British Standard Institution, ISO: International Organization for Standardization.

MECHANICAL

Cable glands: 2xPG13.5 (nickel-plated brass for external connections)

Flange thickness: 9mm (front/back)

External body polishing

Gaskets: High sealing O-ring

Tempered window glass: Thick: 4mm (0.15in) thick, internal Ø 97mm (3.8in); external Ø 112mm (4.4in); with air barrier internal Ø 95mm (3.7in), external Ø 116mm (4.6in)

External dimensions: Ø 154mm, length 370mm

Internal usable area (WxH): 88x86mm (3.5x3.4in)

Internal usable area with double heater (WxH): 55x100mm (2.2x3.9in)

Internal usable length (without accessories):

NXM 334mm (13.1in)

Internal usable length (with heater and/or power supply): 245mm (9.6in)

Unit weight: 6kg (13.3lb)

ELECTRICAL

Heater (Ton 15°C±3°C (59°F±5°F), Toff 22°C±3°C (77°F±5°F))

- Power supply/Consumption: IN 12Vdc/24Vac, 20W max
- Power supply/Consumption: IN 120/230Vac, 40W max, 80W max (double heater)

Camera power supply

- IN 100-240Vac - OUT 12Vdc, 50/60Hz, 1A
- IN 230Vac - OUT 24Vac, 50/60Hz, 400mA

ENVIRONMENT

Indoor/Outdoor

Submersible: up to -50m (-164ft) (pressure: 5Bar)

Operating temperature (with heater): -20°C (-4°F)/+60°C (140°F)

Operating temperature (with double heater): -40°C (-40°F)/+60°C (140°F)

CERTIFICATIONS

Electrical safety (CE): EN60065

Electromagnetic compatibility (CE): EN50130-4, EN61000-6-3

IP protection degree: EN60529 (IP66/IP68, 5 Bar for 48 hours)

EAC certification

ACCESSORIES

| | |
|-----------------|---|
| OHEH06B | Heater 120/230Vac |
| OHEH05B | Heater 12Vdc/24Vac |
| ONXPS1B | Wide range power supply for camera IN 100-240Vac - OUT 12Vdc, 1A |
| ONXPS2B | Camera power supply IN 230Vac - OUT 24Vac, 400mA |
| VIPNX1C | 230Vac stainless steel wiper for NXM housing |
| VIPNX2C | 24Vac stainless steel wiper for NXM housing |
| ONXAB2 | Air barrier with tempered glass included for NXM and NXW housings |
| NXFIGRU | Filtering group for compressed air cleaning |
| WASOV5L5M00 | Water tank 5l (1 gal), pump with delivery up to 5m (16ft), IN 230Vac-24Vac-120Vac |
| WASOV23L5M00 | Water tank 23l (6 gal), pump with delivery up to 5m (16ft), IN 230Vac-24Vac-120Vac |
| WASOV23L11M00 | Water tank 23l (6 gal), pump with delivery up to 11m (36ft), IN 230Vac-24Vac-120Vac |
| WAS1V23L30M00 | Water tank 23l (6 gal), pump with delivery up to 30m (98ft) with water floating, IN 230Vac |
| WAS3V23L30M00 | Water tank 23l (6 gal), pump with delivery up to 30m (98ft) with water floating, IN 120Vac |
| WASPTOV5L5M00 | Water tank 5l (1 gal), pump with delivery up to 5m (16ft), IN 230Vac-24Vac-120Vac |
| WASPTOV23L5M00 | Water tank 23l (6 gal), pump with delivery up to 5m (16ft), IN 230Vac-24Vac-120Vac |
| WASPTOV23L11M00 | Water tank 23l (6 gal), pump with delivery up to 11m (36ft) with water floating, IN 230Vac-24Vac-120Vac |
| WASPT1V23L30M00 | Water tank 23l (6 gal), pump with delivery up to 30m (98ft) with water floating, IN 230Vac |
| WASPT3V23L30M00 | Water tank 23l (6 gal), pump with delivery up to 30m (98ft) with water floating, IN 120Vac |
| DTWRX | Data receiver for remote control of the wiper and WASPT range pumps in stand-alone housings |

BRACKETS AND ADAPTORS

| | |
|--------|---|
| NXWBS1 | AISI 316L stainless steel wall bracket with joint |
|--------|---|

RELATED PRODUCTS

| | |
|-------|---------------------------|
| NXPTH | Stainless steel P&T motor |
|-------|---------------------------|

SPARE PARTS

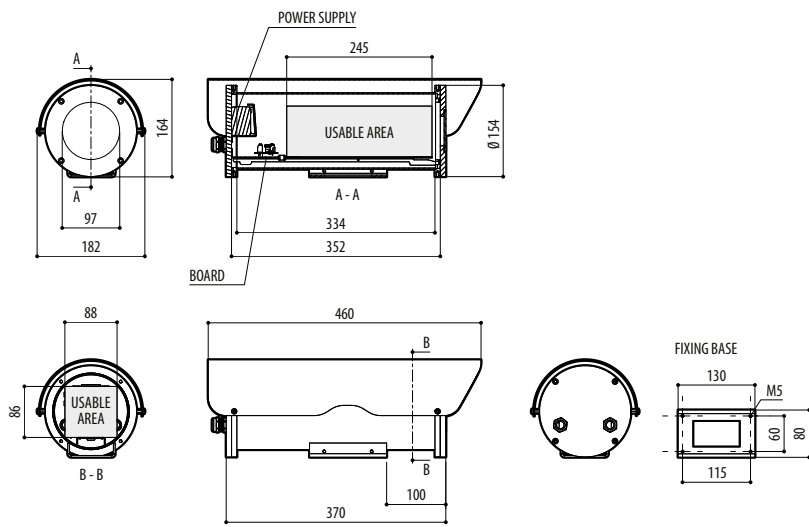
| | |
|------------|--------------------------------|
| ONXMMA | Maintenance kit for NXM |
| OSPAPVNXMC | Complete blade for VIPNX wiper |

PACKAGE

| Model Number | Weight | Dimensions (WxHxL) | Master carton |
|--------------|----------------|---------------------------------|---------------|
| NXMOD1000B | 7.3kg (16.1in) | 29.5x19.5x49cm (11.6x7.7x3.8in) | 3 |

TECHNICAL DRAWINGS

Sizes in millimeters.



NXM

