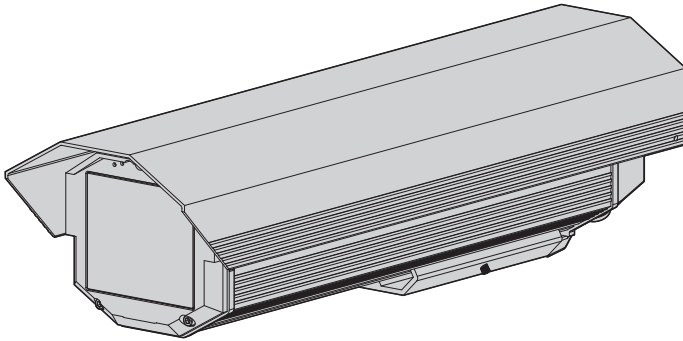




HEG

Large-sized camera housing



EN English - Instructions manual

IT Italiano - Manuale di istruzioni

FR Français - Manuel d'instructions

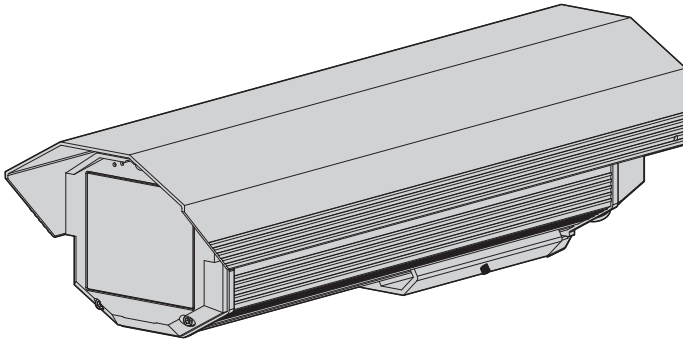
DE Deutsch - Bedienungsanleitung

RU Русский - Руководство по эксплуатации



HEG

Large-sized camera housing



Contents

1 About this manual	3
1.1 Typographical conventions.....	3
2 Notes on copyright and information on trademarks.....	3
3 Safety rules.....	3
4 Identification.....	4
4.1 Product description and type designation.....	4
4.2 Product markings	4
5 Preparing the product for use	4
5.1 Safety precautions before use.....	4
5.2 Unpacking and contents.....	4
5.2.1 Unpacking.....	4
5.2.2 Contents.....	4
5.3 Safely disposing of packaging material.....	4
5.4 Preparatory work before installation	4
5.4.1 Attaching the bracket	4
6 Assembling and installing	5
6.1 Installation.....	5
6.1.1 How to open the housing.....	5
6.1.2 How to install the camera.....	5
6.1.3 Board description	6
6.1.4 Connection of the power supply line.....	6
6.1.4.1 Type of cable.....	6
6.1.5 Installation of the version with double filter for air renewal.....	7
6.1.6 Desiccant bag	7
7 Accessories	7
7.1 Heater.....	7
7.1.1 Heater installation	7
7.2 Camera power supply	7
7.2.1 Camera power supply installation.....	7
8 Instructions for normal operation.....	8
9 Maintaining and cleaning	8
9.1 Cleaning	8
9.1.1 Window and plastic cover cleaning	8
10 Disposal of waste materials.....	8
11 Technical data	9
11.1 General.....	9
11.2 Mechanical.....	9
11.3 Electrical	9
11.4 Environment.....	9
11.5 Certifications.....	9
12 Technical drawings	10

1 About this manual

Before installing and using this unit, please read this manual carefully. Be sure to keep it handy for later reference.

1.1 Typographical conventions



DANGER!

High level hazard.

Risk of electric shock. Disconnect the power supply before proceeding with any operation, unless indicated otherwise.



CAUTION!

Medium level hazard.

This operation is very important for the system to function properly. Please read the procedure described very carefully and carry it out as instructed.



INFO

Description of system specifications.

We recommend reading this part carefully in order to understand the subsequent stages.

2 Notes on copyright and information on trademarks

The quoted names of products or companies are trademarks or registered trademarks.

3 Safety rules



CAUTION! The device must be installed only and exclusively by qualified technical personnel.

- The manufacturer declines all responsibility for any damage caused by an improper use of the appliances mentioned in this manual. Furthermore, the manufacturer reserves the right to modify its contents without any prior notice. The documentation contained in this manual has been collected with great care. The manufacturer, however, cannot take any liability for its use. The same thing can be said for any person or company involved in the creation and production of this manual.
- Before starting any operation, make sure the power supply is disconnected.
- Do not use cables that seem worn or old.
- Never, under any circumstances, make any changes or connections that are not shown in this handbook. Improper use of the appliance can cause serious hazards, risking the safety of personnel and of the installation.
- Use only original spare parts. Non-original spare parts could cause fire, electrical discharge or other hazards.
- Before proceeding with installation, check the supplied material to make sure it corresponds to the order specification by examining the identification labels (4.2 Product markings, page 4).

4 Identification

4.1 Product description and type designation

Robust and large aluminum housing designed to fit 1/2", 1/3" and 1/4" cameras with optics of different kinds.

It can be used for a variety of applications, for the monitoring of urban and highways, in particular if coupled with the PTH900 P&T series .

The opening system allows an easy access for installation and servicing.

It can be installed with cable sheaths, instead of regular cable glands using the junction box for the wiring harness.

A wide range of accessories for mounting the equipment is available thereby satisfying all installation needs.

4.2 Product markings

See the label attached to the product.

5 Preparing the product for use



Any change that is not expressly approved by the manufacturer will invalidate the guarantee.

5.1 Safety precautions before use



CAUTION! The electrical system to which the unit is connected must be equipped with a 15A max automatic bipolar circuit breaker. The minimum distance between the contacts must be 3mm (0.1in). The circuit breaker must be provided with protection against the fault current towards the ground (differential) and the overcurrent (magneto-thermal).

5.2 Unpacking and contents

5.2.1 Unpacking

When the product is delivered, make sure that the package is intact and that there are no signs that it has been dropped or scratched.

If there are obvious signs of damage, contact the supplier immediately.

Keep the packaging in case you need to send the product for repairs.

5.2.2 Contents

Check the contents to make sure they correspond with the list of materials as below:

- Housing
- Housing equipment:
 - Allen wrenches
 - Spacers
 - Bolts and screws
- Desiccant bag
- Instructions manual

5.3 Safely disposing of packaging material

The packaging material can all be recycled. The installer technician will be responsible for separating the material for disposal, and in any case for compliance with the legislation in force where the device is to be used.

When returning a faulty product we recommend using the original packaging for shipping.


5.4 Preparatory work before installation

5.4.1 Attaching the bracket



The product must be fastened with suitable equipment. The fastening means must guarantee the mechanical seal when a force equal to at least 4 times the weight of the device is applied.

6 Assembling and installing

 The assembly and installation must be performed only by skilled personnel.

6.1 Installation

6.1.1 How to open the housing

Unscrew the screws on the rear cover plate and loosen the 2 dowels on the outer slide. Slide out the housing body.

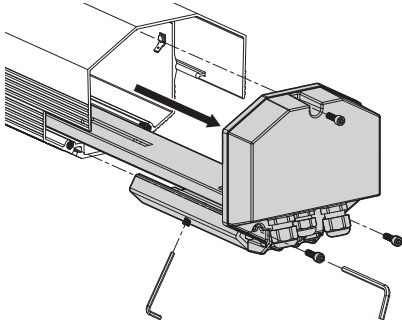


Fig. 1

 At the end of installation and cabling operations close the housing.

6.1.2 How to install the camera

 Power supply can be provided by the board supplied with the product. Make sure the voltage values are appropriate.

Open the housing as described previously (6.1.1 How to open the housing, page 5).

Fasten the camera with the 1/4" screw (01). To position the camera and lens correctly, if necessary, use the supplied spacers. (02).

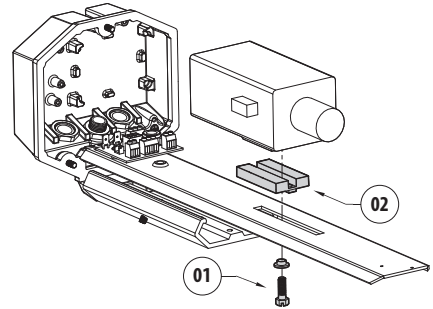


Fig. 2

Remove the conductors protective sheathing and connect them to terminal (camera power supply, 6.1.3 Board description, page 6).

The camera's power supply cable conductors must be tied up with a cable tie next to the terminal. Keep the signalling and power supply cables separated from each other.

Reposition the internal slide and tighten the screws that had been loosened previously.

6.1.3 Board description

⚠ Connect the safety earth to the relative terminal of the power supply connector.

i The board may appear different to that illustrated.

i Depending on the product version, the board may not be equipped with all functions.

BOARD DESCRIPTION

Connector	Function
J1	Camera power supply (V_{OUT}) ¹
J2	Heater power supply (V_{OUT})
J3	Board power supply (V_{IN}) ²
J4	Auxiliary output (V_{OUT}) ³
J5	Power supply connector/jumper ⁴
J6	Fan power supply (V_{OUT})

Tab. 1 ¹ Different alternatives are available depending on the version. $V_{OUT} = 12Vdc$ o $V_{OUT} = 24Vac$, in relation to the type of power supply installed (7.2.1 Camera power supply installation, page 7). $V_{OUT} = V_{IN}$, only for housings powered in 12Vdc or 24Vac, with jumper inserted (J5).

² From 100Vac a 240Vac, 24Vac o 12Vdc.

³ Same voltage applied to power supply terminal of the board (J3).

⁴ To install a power supply in 12Vdc or 24Vac refer to the relative chapter (7.2.1 Camera power supply installation, page 7).

6.1.4 Connection of the power supply line

Insert the cables for the connection to the power supply line inside the housing through the cable glands. The cable glands are suitable for conductors with diameters of between 5mm and 10mm. The section of the cable inside the housing must be sufficiently long to allow connection. Suitably lock the cable glands.

6.1.4.1 Type of cable

The cable used for the connection to the power supply line must be suitable for the intended use. Comply with the current national standards on electrical installations.

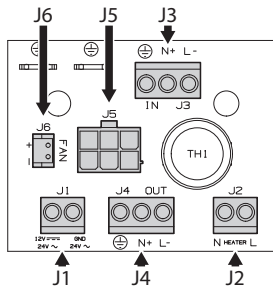


Fig. 3

6.1.5 Installation of the version with double filter for air renewal

i During installation pay attention to the orientation of the air inlet filter fins.

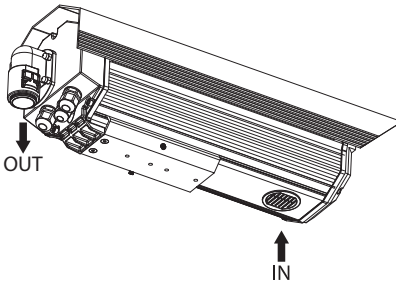


Fig. 4

To guarantee the weatherproof, install the housing on the support following the inclination limits as shown in the picture.

Depending on the angle of inclination of the housing, the orientation of the filter fins must prevent water penetrating in case of rain:

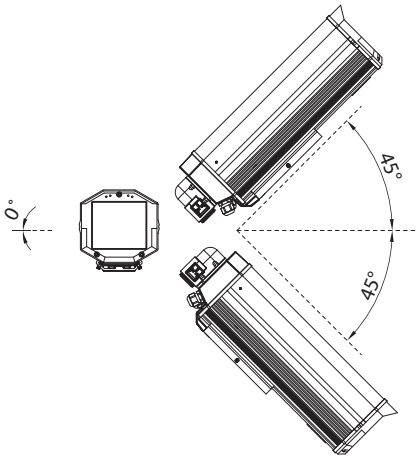


Fig. 5 Maximum tilt of the transversal axis: 0°.
Maximum tilt of the longitudinal axis: $\pm 45^\circ$.

6.1.6 Desiccant bag

Take the desiccant salt bag out of its pack and insert it into the product.

7 Accessories

i For further details on configuration and use, refer to the relative manual.

7.1 Heater

7.1.1 Heater installation

At the end of installation, connect the wiring to the terminal (heater power supply, 6.1.3 Board description, page 6).

7.2 Camera power supply

7.2.1 Camera power supply installation

! Not usable in housings with wiper device installed.

! Pay attention to the voltage value used when the circuit is powered. Depending on requirements use the correct power supply kit.

There are 2 types of camera power supply depending on requirements.

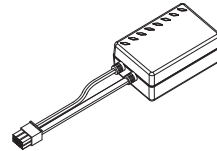


Fig. 6 V_{IN} from 100Vac a 240Vac, V_{OUT} 12Vdc.

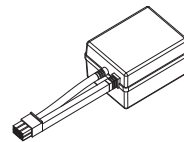


Fig. 7 V_{IN} 230Vac, V_{OUT} 24Vac.

At the end of installation, connect the wiring to the terminal (power supply connector, 6.1.3 Board description, page 6).

8 Instructions for normal operation



Do not use the wiper when the outside temperature is below 0°C or in case of ice.

9 Maintaining and cleaning



Before doing any technical work on the device, disconnect the power supply.

9.1 Cleaning

9.1.1 Window and plastic cover cleaning



Avoid ethyl alcohol, solvents, hydrogenated hydrocarbide, strong acid and alkali. Such products may irreparably damage the surface.

We recommend using a soft cloth with neutral soaps diluted with water or specific products to clean the glasses lenses.

10 Disposal of waste materials



This symbol mark and recycle system are applied only to EU countries and not applied to the countries in the other area of the world.

Your product is designed and manufactured with high quality materials and components which can be recycled and reused.

This symbol means that electrical and electronic equipment, at their end-of-life, should be disposed of separately from your household waste.

Please dispose of this equipment at your local Community waste collection or Recycling centre.

In the European Union there are separate collection systems for used electrical and electronic products.

11 Technical data

11.1 General

Constructed from aluminium

Epoxy polyester powder painting, RAL9002 colour

Stainless steel external screws

11.2 Mechanical

Cable glands: 3xM16

Housing window

- Dimensions (WxH): 94x80mm (3.7x3.1in)
- Material: Glass

Internal usable area

- Empty version: 134x88mm (5.1x3.5in)
- Version with double or triple heater : 112x88mm (in)

Internal usable length (without accessories)

- HEG37: 365mm (in)
- HEG47: 450mm (in)

Internal usable length (with accessories):

- HEG37: 273mm (10.7in)
- HEG47: 363mm (in)

Unit weight

- HEG37: 4.1kg (9lb)
- HEG47: 4.7kg (10.3lb)

11.3 Electrical

Power supply/Current consumption (version with heater, Ton 15°C±3°C (59°F ±5°F), Toff 22°C±3°C (77°F±5°F)):

- 12Vdc, 1.6A max
- 24Vac, 0.85A max, 50/60Hz
- 120Vac, 0.35A max, 50/60Hz
- 230Vac, 0.18A max, 50/60Hz

Power supply/Current consumption (version with double heater, Ton 15°C±3°C (59°F ±5°F), Toff 22°C±3°C (77°F±5°F)):

- 120Vac, 0.7A max, 50/60Hz
- 230Vac, 0.35A max, 50/60Hz

Power supply/Current consumption (version with triple heater, continuous duty fan , Ton 15°C±3°C (59°F ±5°F), Toff 22°C±3°C (77°F±5°F)):

- 120Vac, 1A max, 50/60Hz
- 230Vac, 0.52A max, 50/60Hz

Power supply/Current consumption (version with blower and thermostat for models with double filter for air renewal, Ton 35°C±3°C (95°F±5°F), Toff 20°C±3°C (71°F±5°F)):

- 12Vdc, 0.33A max
- 24Vac, 0.16A max, 50/60Hz

Camera power supply:

- V_{IN} from 100Vac a 240Vac, 50/60Hz
 V_{OUT} 12Vdc, 1A
- V_{IN} 230Vac, 50/60Hz
 V_{OUT} 24Vac, 400mA, 50/60Hz

11.4 Environment

Indoor/Outdoor

Operating temperature

- Version with heater: From -20°C (-4°F) a +60°C (140°F)
- Version with double heater: From -40°C (-40°F) a +60°C (140°F)
- Version with triple heater, continuous duty fan: From -50°C (-58°F) a +60°C (140°F)

11.5 Certifications

Electrical safety (CE): EN60065

Electromagnetic compatibility (CE): EN50130-4, EN61000-6-3

IP protection degree:

- EN60529, IP66/IP67 (with cable glands)
- EN60529, IP44 (with double filter for air renewal)

Salty fog resistance: ISO9227, to 1000 hours

EAC certification

12 Technical drawings



The dimensions of the drawings are in millimetres.

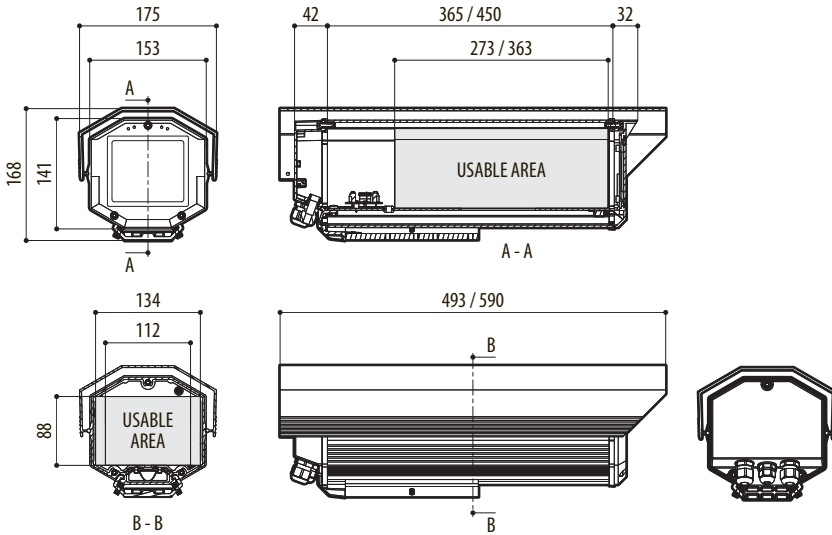


Fig. 8 HEG.

Headquarters Italy Videotec S.p.A.
Via Friuli, 6 - I-36015 Schio (VI) - Italy
Tel. +39 0445 697411 - Fax +39 0445 697414
Email: info@videotec.com

Asia Pacific Videotec (HK) Ltd
Flat 8, 19/F. On Dak Industrial Building, No. 2-6 Wah Sing Street
Kwai Chung, New Territories - Hong Kong
Tel. +852 2333 0601 - Fax +852 2311 0026
Email: info.hk@videotec.com

France Videotec France SARL
Immeuble Le Montreal, 19bis Avenue du Québec, ZA de Courtaboeuf
91140 Villebon sur Yvette - France
Tel. +33 1 60491816 - Fax +33 1 69284736
Email: info.fr@videotec.com

Americas Videotec Security, Inc.
Gateway Industrial Park, 35 Gateway Drive, Suite 100
Plattsburgh, NY 12901 - U.S.A.
Tel. +1 518 825 0020 - Fax +1 518 825 0022
Email: info.usa@videotec.com - www.videotec.us

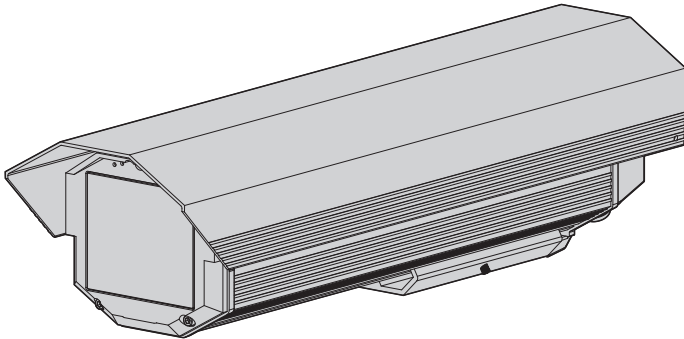


www.videotec.com
MNVCHG_1511_EN



HEG

Custodia per telecamera di grandi dimensioni



Sommario

1 Informazioni sul presente manuale	3
1.1 Convenzioni tipografiche	3
2 Note sul copyright e informazioni sui marchi commerciali.....	3
3 Norme di sicurezza	3
4 Identificazione	4
4.1 Descrizione e designazione del prodotto.....	4
4.2 Marcatura del prodotto	4
5 Preparazione del prodotto per l'utilizzo.....	4
5.1 Precauzioni di sicurezza prima dell'utilizzo.....	4
5.2 Disimballaggio e contenuto	4
5.2.1 Disimballaggio.....	4
5.2.2 Contenuto	4
5.3 Smaltimento in sicurezza dei materiali di imballaggio.....	4
5.4 Lavoro preparatorio prima dell'installazione.....	4
5.4.1 Fissaggio del supporto	4
6 Assemblaggio e installazione.....	5
6.1 Installazione.....	5
6.1.1 Apertura della custodia.....	5
6.1.2 Installazione della telecamera	5
6.1.3 Descrizione della scheda	6
6.1.4 Collegamento della linea di alimentazione	6
6.1.4.1 Tipo di cavo.....	6
6.1.5 Installazione della versione con doppio filtro per ricambio dell'aria.....	7
6.1.6 Sacchetto disidratante.....	7
7 Accessori.....	7
7.1 Riscaldamento	7
7.1.1 Installazione del riscaldamento.....	7
7.2 Alimentatore per telecamera	7
7.2.1 Installazione dell'alimentatore per telecamera	7
8 Istruzioni di funzionamento ordinario	8
9 Manutenzione e pulizia.....	8
9.1 Pulizia.....	8
9.1.1 Pulizia del vetro e delle parti in plastica	8
10 Smaltimento dei rifiuti	8
11 Dati tecnici	9
11.1 Generale	9
11.2 Meccanica	9
11.3 Elettrico.....	9
11.4 Ambiente.....	9
11.5 Certificazioni	9
12 Disegni tecnici	10

1 Informazioni sul presente manuale

Prima di installare e utilizzare questa unità, leggere attentamente questo manuale. Conservare questo manuale a portata di mano come riferimento futuro.

1.1 Convenzioni tipografiche



PERICOLO!

Pericolosità elevata.

Rischio di scosse elettriche. Prima di eseguire qualsiasi operazione assicurarsi di togliere tensione al prodotto, salvo diversa indicazione.



ATTENZIONE!

Pericolosità media.

L'operazione è molto importante per il corretto funzionamento del sistema. Si prega di leggere attentamente la procedura indicata e di eseguirla secondo le modalità previste.



INFO

Descrizione delle caratteristiche del sistema. Si consiglia di leggere attentamente per comprendere le fasi successive.

2 Note sul copyright e informazioni sui marchi commerciali

I nomi di prodotto o di aziende citati sono marchi commerciali o marchi commerciali registrati appartenenti alle rispettive società.

3 Norme di sicurezza



ATTENZIONE! L'installazione e la manutenzione del dispositivo deve essere eseguita solo da personale tecnico qualificato.

- Il produttore declina ogni responsabilità per eventuali danni derivanti da un uso improprio delle apparecchiature menzionate in questo manuale. Si riserva inoltre il diritto di modificarne il contenuto senza preavviso. Ogni cura è stata posta nella raccolta e nella verifica della documentazione contenuta in questo manuale. Il produttore, tuttavia, non può assumersi alcuna responsabilità derivante dall'utilizzo della stessa. Lo stesso dicasi per ogni persona o società coinvolta nella creazione e nella produzione di questo manuale.
- Prima di eseguire qualsiasi operazione assicurarsi di togliere tensione al prodotto.
- Non utilizzare cavi con segni di usura o invecchiamento.
- Non effettuare per nessun motivo alterazioni o collegamenti non previsti in questo manuale. L'uso di apparecchi non idonei può portare a gravi pericoli per la sicurezza del personale e dell'impianto.
- Utilizzare solo parti di ricambio originali. Pezzi di ricambio non originali potrebbero causare incendi, scariche elettriche o altri pericoli.
- Prima di procedere con l'installazione, controllare che il materiale fornito corrisponda alle specifiche richieste esaminando le etichette di marcatura (4.2 Marcatura del prodotto, pagina 4).

4 Identificazione

4.1 Descrizione e designazione del prodotto

Robusta e spaziosa custodia in alluminio adatta ad alloggiare telecamere da 1/2", 1/3" e 1/4" con ottiche di vario genere.

Può essere utilizzata per una varietà di applicazioni, per il monitoraggio urbano e di autostrade, in particolare se accoppiata con i brandeggi della serie PTH900.

Il montaggio e la regolazione della telecamera sono facilitati dalla possibilità di estrarre il corpo, lasciando in posizione di lavoro la slitta interna, per operarvi comodamente.

Può essere installata con dei pressaguaina che permettono, in sostituzione dei normali pressacavi, una facile esecuzione dei cablaggi nell'apposita scatola di appoggio.

È disponibile un'ampia gamma di accessori di montaggio che permette di soddisfare qualsiasi esigenza di installazione.

4.2 Marcatura del prodotto

Vedere l'etichetta posta sul prodotto.

5 Preparazione del prodotto per l'utilizzo



Qualsiasi cambiamento non espressamente approvato dal costruttore fa decadere la garanzia.

5.1 Precauzioni di sicurezza prima dell'utilizzo



ATTENZIONE! L'impianto elettrico al quale è collegata l'unità deve essere dotato di un interruttore di protezione bipolare automatico da 15A max. La distanza minima tra i contatti deve essere di 3mm. L'interruttore deve essere provvisto di protezione contro la corrente di guasto verso terra (differenziale) e la sovracorrente (magnetotermico).

5.2 Disimballaggio e contenuto

5.2.1 Disimballaggio

Alla consegna del prodotto verificare che l'imballo sia integro e non abbia segni evidenti di cadute o abrasioni.

In caso di evidenti segni di danno all'imballo contattare immediatamente il fornitore.

Conservare l'imballo nel caso sia necessario inviare il prodotto in riparazione.

5.2.2 Contenuto

Controllare che il contenuto sia corrispondente alla lista del materiale sotto elencata:

- Custodia
- Dotazione per custodia:
 - Chiavi a brugola
 - Distanziali
 - Viteria
- Sacchetto disidratante
- Manuale di istruzioni

5.3 Smaltimento in sicurezza dei materiali di imballaggio

I materiali d'imballo sono costituiti interamente da materiale riciclabile. Sarà cura del tecnico installatore smaltirli secondo le modalità di raccolta differenziata o comunque secondo le norme vigenti nel Paese di utilizzo.

In caso di restituzione del prodotto malfunzionante è consigliato l'utilizzo dell'imballaggio originale per il trasporto.


5.4 Lavoro preparatorio prima dell'installazione

5.4.1 Fissaggio del supporto



Il prodotto deve essere fissato con mezzi adeguati. I mezzi di fissaggio devono garantire la tenuta meccanica applicando una forza pari almeno a 4 volte il peso complessivo dell'apparecchiatura.

6 Assemblaggio e installazione

 L'assemblaggio e l'installazione vanno eseguiti solo da personale qualificato.

6.1 Installazione

6.1.1 Apertura della custodia

Svitare le viti poste sul fondo posteriore e allentare i 2 grani posti sulla slitta esterna. Sfilare il corpo della custodia.

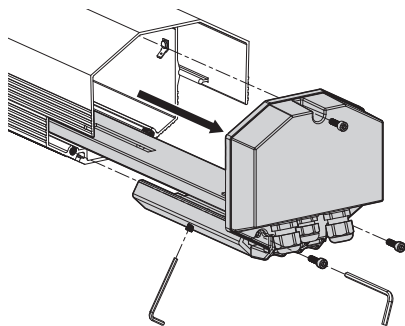



Fig. 1

 Al termine delle operazioni di installazione e cablaggio richiudere la custodia.

6.1.2 Installazione della telecamera

 L'alimentazione può essere fornita dalla scheda in dotazione al prodotto. Accertarsi che i valori di tensione siano adeguati.

Aprire la custodia come descritto precedentemente (6.1.1 Apertura della custodia, pagina 5).

Fissare la telecamera con la vite da 1/4" (01). Per collocare nel modo corretto la telecamera e l'ottica, se necessario, utilizzare i distanziali in dotazione (02).

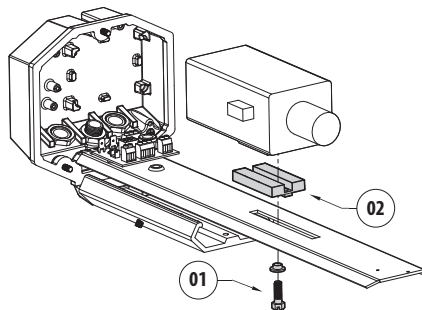


Fig. 2

Togliere la guaina di protezione dei conduttori e collegarli al morsetto (alimentazione della telecamera, 6.1.3 Descrizione della scheda, pagina 6).

I conduttori del cavo di alimentazione della telecamera devono essere fissati tra loro con una fascetta in prossimità del morsetto. Tenere separati i cavi di alimentazione da quelli di segnale.

Riposizionare la slitta interna serrando le viti precedentemente allentate.

6.1.3 Descrizione della scheda

⚠ Collegare la terra di sicurezza al relativo morsetto del connettore di alimentazione.

i L'aspetto della scheda potrebbe differire da quello illustrato.

i La scheda, a seconda della versione del prodotto, potrebbe non essere dotata di tutte le funzionalità.

DESCRIZIONE DELLA SCHEDA

Connettore	Funzione
J1	Alimentazione della telecamera (V_{OUT}) ¹
J2	Alimentazione del riscaldamento (V_{OUT})
J3	Alimentazione della scheda (V_{IN}) ²
J4	Uscita ausiliaria (V_{OUT}) ³
J5	Connettore per alimentatore/ponticello ⁴
J6	Alimentazione del ventilatore (V_{OUT})

Tab. 1 ¹ Sono possibili diverse alternative a seconda della versione. $V_{OUT} = 12Vdc$ o $V_{OUT} = 24Vac$, in relazione al tipo di alimentatore installato (7.2.1 Installazione dell'alimentatore per telecamera, pagina 7). $V_{OUT} = V_{IN}$, solo per custodie alimentate in 12Vdc o 24Vac, con ponticello inserito (J5).

² Da 100Vac a 240Vac, 24Vac o 12Vdc.

³ Stessa tensione applicata al morsetto di alimentazione della scheda (J3).

⁴ Per installare un alimentatore in 12Vdc o 24Vac fare riferimento al relativo capitolo (7.2.1 Installazione dell'alimentatore per telecamera, pagina 7).

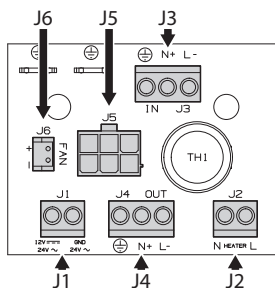


Fig. 3

6.1.4 Collegamento della linea di alimentazione

Introdurre i cavi di collegamento alla linea di alimentazione all'interno della custodia attraverso i pressacavi. I pressacavi sono adatti per conduttori con diametro compreso tra 5mm e 10mm. Il tratto di cavo all'interno della custodia deve essere sufficientemente lungo da permettere il collegamento. Serrare opportunamente i pressacavi.

6.1.4.1 Tipo di cavo

Il tipo di cavo da utilizzare per il collegamento alla linea di alimentazione deve essere compatibile con l'impiego previsto. Attenersi alle regole nazionali in vigore riguardo le installazioni elettriche.

6.1.5 Installazione della versione con doppio filtro per ricambio dell'aria

i Durante l'installazione prestare attenzione all'orientamento delle alette del filtro di ingresso dell'aria.

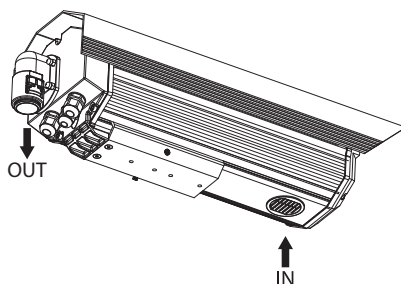


Fig. 4

Al fine di garantire il grado di protezione, installare la custodia al supporto rispettando i limiti di inclinazione riportati in figura.

A seconda dell'angolo di inclinazione della custodia, l'orientamento delle alette del filtro deve prevenire la penetrazione di acqua in caso di pioggia.

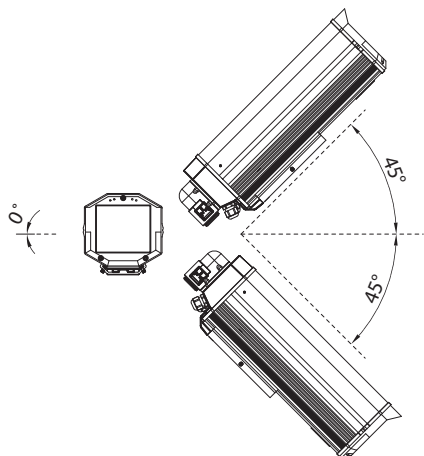


Fig. 5 Massima inclinazione dell'asse trasversale: 0°.
Massima inclinazione dell'asse longitudinale: $\pm 45^\circ$.

6.1.6 Sacchetto disidratante

Estrarre il sacchetto disidratante dalla confezione e inserirlo nel prodotto.

7 Accessori

i Per ulteriori dettagli sulla configurazione e l'utilizzo fare riferimento al manuale del relativo accessorio.

7.1 Riscaldamento

7.1.1 Installazione del riscaldamento

Terminata l'installazione, collegare il cablaggio al morsetto (alimentazione del riscaldamento, 6.1.3 Descrizione della scheda, pagina 6).

7.2 Alimentatore per telecamera

7.2.1 Installazione dell'alimentatore per telecamera

! Non utilizzabile nelle custodie munite di sistema tergcristallo.

! Prestare attenzione al valore di tensione utilizzata quando si alimenta il circuito. A seconda delle esigenze utilizzare il kit di alimentazione corretto.

Gli alimentatori che possono essere installati sono di 2 categorie a seconda delle esigenze.

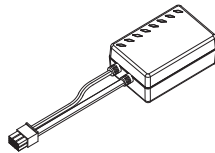


Fig. 6 V_{IN} da 100Vac a 240Vac, V_{OUT} 12Vdc.

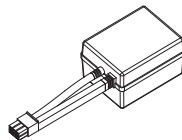


Fig. 7 V_{IN} 230Vac, V_{OUT} 24Vac.

Terminata l'installazione, collegare il cablaggio al morsetto (connettore per alimentatore, 6.1.3 Descrizione della scheda, pagina 6).

8 Istruzioni di funzionamento ordinario



Non utilizzare il tergicristallo quando la temperatura esterna è inferiore a 0°C o in presenza di ghiaccio.

9 Manutenzione e pulizia



Prima di effettuare interventi tecnici sull'apparecchio togliere l'alimentazione elettrica.

9.1 Pulizia

9.1.1 Pulizia del vetro e delle parti in plastica



Evitare alcool etilico, solventi, idrocarburi idrogenati, acidi forti e alcali. L'utilizzo di detti prodotti danneggia in modo irreparabile la superficie trattata.

Si consiglia di utilizzare un panno morbido con saponi neutri diluiti con acqua o prodotti specifici per la pulizia delle lenti degli occhiali.

10 Smaltimento dei rifiuti



Questo simbolo e il sistema di riciclaggio sono validi solo nei paesi dell'EU e non trovano applicazione in altri paesi del mondo.

Il vostro prodotto è costruito con materiali e componenti di alta qualità, che sono riutilizzabili o riciclabili.

Prodotti elettrici ed elettronici che riportano questo simbolo, alla fine dell'uso, devono essere smaltiti separatamente dai rifiuti casalinghi.

Vi preghiamo di smaltire questo apparecchio in un Centro di raccolta o in un'Ecostazione.

Nell'Unione Europea esistono sistemi di raccolta differenziata per prodotti elettrici ed elettronici.

11 Dati tecnici

11.1 Generale

Costruzione in alluminio

Verniciatura a polveri di epossipoliestere, colore RAL9002

Viteria esterna in acciaio inox

11.2 Meccanica

Pressacavi: 3xM16

Finestra della custodia

- Dimensioni (WxH): 94x80mm
- Materiale: Vetro

Dimensioni utili interne

- Versione vuota: 134x88mm
- Versione con doppio o triplo riscaldamento: 112x88mm

Lunghezza utile interna (senza accessori)

- HEG37: 365mm
- HEG47: 450mm

Lunghezza utile interna (con accessori):

- HEG37: 273mm
- HEG47: 363mm

Peso unitario

- HEG37: 4.1kg
- HEG47: 4.7kg

11.3 Elettrico

Tensione di alimentazione/Corrente assorbita (versione con riscaldamento, Ton 15°C±3°C, Toff 22°C±3°C):

- 12Vdc, 1.6A max
- 24Vac, 0.85A max, 50/60Hz
- 120Vac, 0.35A max, 50/60Hz
- 230Vac, 0.18A max, 50/60Hz

Tensione di alimentazione/Corrente assorbita (versione con doppio riscaldamento, Ton 15°C±3°C, Toff 22°C±3°C):

- 120Vac, 0.7A max, 50/60Hz
- 230Vac, 0.35A max, 50/60Hz

Tensione di alimentazione/Corrente assorbita (versione con triplo riscaldamento, ventola a ciclo continuo, Ton 15°C±3°C, Toff 22°C±3°C):

- 120Vac, 1A max, 50/60Hz
- 230Vac, 0.52A max, 50/60Hz

Tensione di alimentazione/Corrente assorbita (versione con ventilatore e termostato per modelli con doppio filtro per ricambio dell'aria, Ton 35°C±3°C, Toff 20°C±3°C):

- 12Vdc, 0.33A max
- 24Vac, 0.16A max, 50/60Hz

Alimentatore per telecamera:

- V_{IN} da 100Vac a 240Vac, 50/60Hz
 V_{OUT} 12Vdc, 1A
- V_{IN} 230Vac, 50/60Hz
 V_{OUT} 24Vac, 400mA, 50/60Hz

11.4 Ambiente

Interno/Esterno

Temperatura di esercizio

- Versione con riscaldamento: Da -20°C a +60°C
- Versione con doppio riscaldamento: Da -40°C a +60°C
- Versione con triplo riscaldamento, ventola a ciclo continuo: Da -50°C a +60°C

11.5 Certificazioni

Sicurezza elettrica (CE): EN60065

Compatibilità elettromagnetica (CE): EN50130-4, EN61000-6-3


Grado di protezione IP:

- EN60529, IP66/IP67 (con pressacavi)
- EN60529, IP44 (con doppio filtro per ricambio dell'aria)

Resistenza alla nebbia salina: ISO9227, fino a 1000 ore

Certificazione EAC

12 Disegni tecnici

 Le dimensioni dei disegni sono espresse in millimetri.

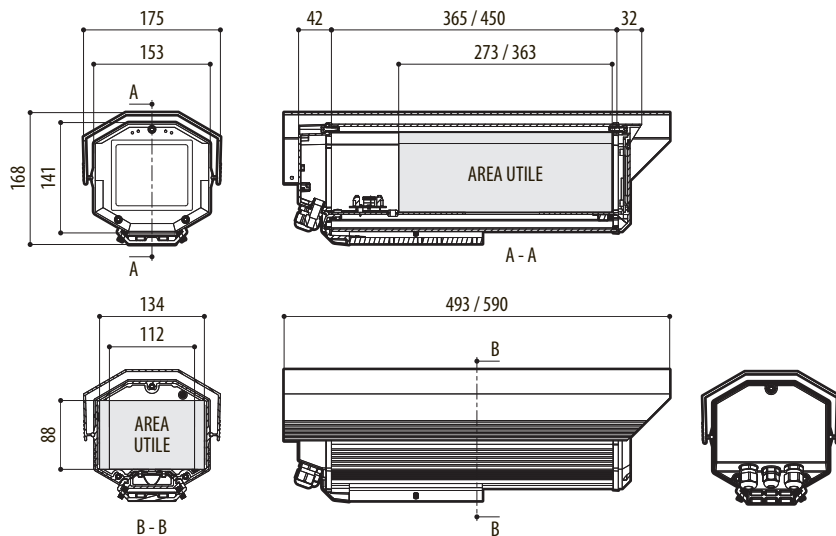


Fig. 8 HEG.

Headquarters Italy Videotec S.p.A.
Via Friuli, 6 - I-36015 Schio (VI) - Italy
Tel. +39 0445 697411 - Fax +39 0445 697414
Email: info@videotec.com

Asia Pacific Videotec (HK) Ltd
Flat 8, 19/F. On Dak Industrial Building, No. 2-6 Wah Sing Street
Kwai Chung, New Territories - Hong Kong
Tel. +852 2333 0601 - Fax +852 2311 0026
Email: info.hk@videotec.com

France Videotec France SARL
Immeuble Le Montreal, 19bis Avenue du Québec, ZA de Courtaboeuf
91140 Villebon sur Yvette - France
Tel. +33 1 60491816 - Fax +33 1 69284736
Email: info.fr@videotec.com

Americas Videotec Security, Inc.
Gateway Industrial Park, 35 Gateway Drive, Suite 100
Plattsburgh, NY 12901 - U.S.A.
Tel. +1 518 825 0020 - Fax +1 518 825 0022
Email: info.usa@videotec.com - www.videotec.us

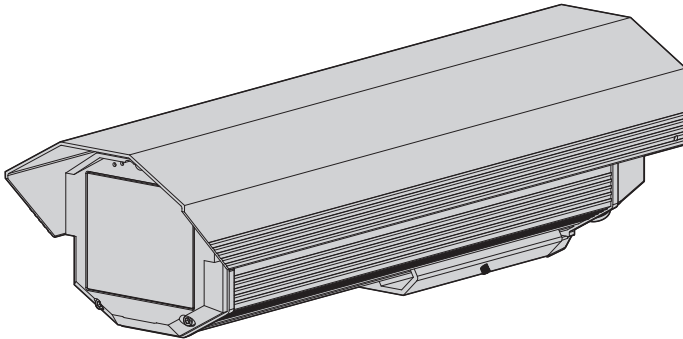


www.videotec.com
MNVCHeg_1511_IT



HEG

Caisson pour caméra de grandes dimensions



Sommaire

1 À propos de ce mode d'emploi	3
1.1 Conventions typographiques	3
2 Notes sur le copyright et informations sur les marques de commerce	3
3 Normes de sécurité.....	3
4 Identification.....	4
4.1 Description et désignation du produit	4
4.2 Marquage du produit.....	4
5 Préparation du produit en vue de l'utilisation.....	4
5.1 Précautions de sécurité avant l'utilisation	4
5.2 Déballage et contenu.....	4
5.2.1 Déballage	4
5.2.2 Contenu	4
5.3 Élimination sans danger des matériaux d'emballage.....	4
5.4 Opérations à effectuer avant l'installation.....	4
5.4.1 Fixation du support	4
6 Assemblage et installation	5
6.1 Installation.....	5
6.1.1 Ouverture du caisson.....	5
6.1.2 Installation de la caméra	5
6.1.3 Description de la carte.....	6
6.1.4 Connexion de la ligne d'alimentation.....	6
6.1.4.1 Type de câble.....	6
6.1.5 Installation de la version avec double filtre pour le changement d'air.....	7
6.1.6 Sachet déshydratant.....	7
7 Accessoires	7
7.1 Chauffage	7
7.1.1 Installation du chauffage.....	7
7.2 Alimentation pour caméra	7
7.2.1 Installation de l'alimentateur pour caméra.....	7
8 Instructions de fonctionnement courant	8
9 Entretien et nettoyage	8
9.1 Nettoyage.....	8
9.1.1 Entretien de la vitre et des parties en plastique	8
10 Élimination des déchets.....	8
11 Données techniques.....	9
11.1 Généralités.....	9
11.2 Mécanique	9
11.3 Électrique	9
11.4 Environnement	9
11.5 Certifications.....	9
12 Dessins techniques.....	10

1 À propos de ce mode d'emploi

Avant d'installer et d'utiliser cet appareil, veuillez lire attentivement ce mode d'emploi. Conservez-le à portée de main pour pouvoir vous y reporter en cas de besoin.

1.1 Conventions typographiques



DANGER!

Risque élevé.

Risque de choc électrique. Sauf indication contraire, sectionner l'alimentation avant de procéder à toute opération.



ATTENTION!

Risque moyen.

Opération extrêmement importante en vue d'un fonctionnement correct du système; lire avec attention les opérations indiquées et s'y conformer rigoureusement.



REMARQUE

Description des caractéristiques du système. Il est conseillé de procéder à une lecture attentive pour une meilleure compréhension des phases suivantes.

2 Notes sur le copyright et informations sur les marques de commerce

Les noms de produit ou de sociétés cités sont des marques de commerce ou des marques de commerce enregistrées.

3 Normes de sécurité



ATTENTION! L'installation et l'entretien du dispositif doivent être exclusivement effectués par un personnel technique qualifié.

- Le fabricant décline toute responsabilité pour les dommages éventuels dus à une utilisation non appropriée des appareils mentionnés dans ce manuel. On réserve en outre le droit d'en modifier le contenu sans préavis. La documentation contenue dans ce manuel a été rassemblée et vérifiée avec le plus grand soin. Le fabricant, cependant, ne peut assumer aucune responsabilité dérivant de l'emploi de celle là. La même chose vaut pour chaque personne ou société impliquées dans la création et la production de ce manuel.
- Sectionner l'alimentation avant de procéder à toute opération.
- Ne pas utiliser de câbles usés ou endommagés.
- Ne procéder sous aucun prétexte à des modifications ou des connexions non prévues dans ce manuel. L'utilisation d'appareils non adéquats peut comporter des dangers graves pour la sécurité du personnel et de l'installation.
- Utiliser uniquement des pièces de rechange d'origine. Les pièces non d'origine peuvent être source d'incendies, de choc électrique ou autres.
- Avant de procéder à l'installation, contrôler que le matériel fourni correspond à la commande et examiner les étiquettes de marquage (4.2 Marquage du produit, page 4).

4 Identification

4.1 Description et désignation du produit

Caisson robuste et spacieux en aluminium adapté pour loger des caméras de 1/2", 1/3" et 1/4" avec optiques de différent genre.

Il peut être utilisé pour une variété d'applications, pour la surveillance urbaine et autoroutières, notamment s'il est associé aux tourelles de la série PTH900.

L'ouverture du caisson par extraction vers l'avant, permet de dégager complètement le rail de fixation de la caméra, facilitant la mise en place et les réglages de la caméra.

L'utilisation du boîtier et de ses gaines souples sécurise le passage des câbles et le rend plus esthétique.

Une vaste gamme d'accessoires de montage est disponible, permettant de solutionner tout problème d'installation.

4.2 Marquage du produit

Voir l'étiquette positionné sur le produit.

5 Préparation du produit en vue de l'utilisation



Toute modification non approuvée expressément par le fabricant entraînera l'annulation de la garantie.

5.1 Précautions de sécurité avant l'utilisation



ATTENTION! Le circuit électrique auquel l'unité est reliée doit être équipé d'un interrupteur de protection bipolaire automatique de 15A max. La distance minimale entre les contacts doit être de 3mm. L'interrupteur doit être équipé de protection contre le courant de défaut vers la terre (différentiel) et le surintensité (magnétothermique).

5.2 Déballage et contenu

5.2.1 Déballage

Lors de la livraison du produit, vérifier que l'emballage est en bon état et l'absence de tout signe évident de chute ou d'abrasion.

En cas de dommages évidents, contacter immédiatement le fournisseur.

Conserver l'emballage en cas de nécessité d'expédition du produit pour réparation.

5.2.2 Contenu

Contrôler que le contenu correspond à la liste matériel indiquée ci-dessous:

- Caisson
- Dotation pour caisson:
 - Clés Allen
 - Entretoises
 - Vis
- Sachet déshydratant
- Manuel d'instructions

5.3 Élimination sans danger des matériaux d'emballage

Le matériel d'emballage est entièrement composé de matériaux recyclables. Le technicien chargé de l'installation est tenu de l'éliminer conformément aux dispositions en matière de collecte sélective et selon les normes en vigueur dans le pays d'utilisation.

En cas de retour du produit défectueux, il est conseillé d'utiliser l'emballage original pour le transport.

5.4 Opérations à effectuer avant l'installation

5.4.1 Fixation du support



Le produit doit être fixé à l'aide des moyens appropriés. Les moyens de fixation doivent garantir l'étanchéité mécanique et appliquer une force égale au moins à 4 fois le poids total de l'appareil.

6 Assemblage et installation

 L'assemblage et l'installation doivent être effectués par un personnel qualifié.

6.1 Installation

6.1.1 Ouverture du caisson

Desserrer les vis placées sur le panneau postérieur ainsi que les 2 vis sans tête de la glissière externe. Retirer le corps du caisson.

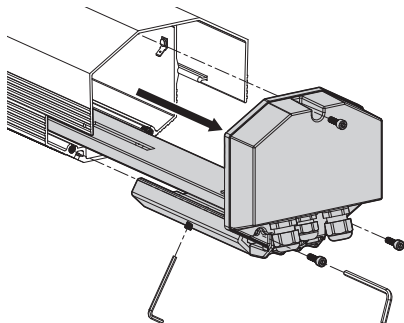


Fig. 1

 Après l'installation et le câblage, fermer le caisson.

6.1.2 Installation de la caméra

 L'alimentation peut être dotée de la carte fournie avec le produit fourni. S'assurer que les valeurs de tension soient appropriées.

Ouvrir le caisson comme décrit précédemment (6.1.1 Ouverture du caisson, page 5).

Fixer la caméra avec la vis de 1/4" (01). Pour installer correctement caméra et optique, si nécessaire, utiliser les entretoises fournies. (02).

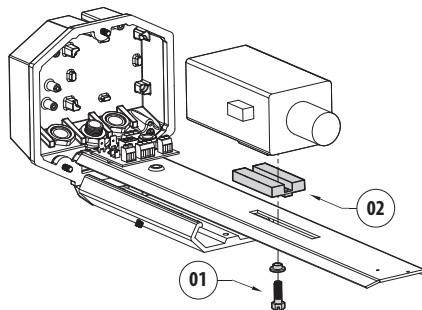


Fig. 2

Enlever la gaine de protection des conducteurs et les brancher à la borne (alimentation de la caméra, 6.1.3 Description de la carte, page 6).

Les conducteurs du câble d'alimentation de la caméra doivent être fixés entre eux avec une collier en proximité de la borne. Garder les câbles d'alimentation séparés de ceux de signal.

Replacer la glissière interne en serrant les vis précédemment desserrées.

6.1.3 Description de la carte



Brancher la terre de sécurité à la borne correspondante du connecteur d'alimentation.



L'aspect de la carte pourrait être différer de celui qui est illustré.



La carte, selon la version du produit, pourrait ne pas être munie de toutes les fonctions.

DESCRIPTION DE LA CARTE

Connecteur	Fonction
J1	Alimentation de la camera (V_{OUT}) ¹
J2	Alimentation du chauffage (V_{OUT})
J3	Alimentation de la carte (V_{IN}) ²
J4	Sortie auxiliaire (V_{OUT}) ³
J5	Connecteur pour alimentation/barrette ⁴
J6	Alimentation du ventilateur (V_{OUT})

Tab. 1 ¹ Il existe différentes alternatives selon la version. $V_{OUT} = 12Vdc$ o $V_{OUT} = 24Vac$, en relation au type d'alimentateur installé (7.2.1 Installation de l'alimentateur pour caméra, page 7). $V_{OUT} = V_{IN}$, uniquement pour les gaines alimentées en 12Vdc ou 24Vac, avec le shunt inséré (J5).

² De 100Vac a 240Vac, 24Vac o12Vdc.

³ Meme tension appliquée à la borne d'alimentation de la carte (J3).

⁴ Pour installer un alimentateur en 12Vdc ou 24Vac faire référence au chapitre correspondant (7.2.1 Installation de l'alimentateur pour caméra, page 7).

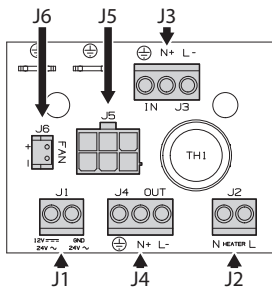


Fig. 3

6.1.4 Connexion de la ligne d'alimentation

Introduire les câbles de branchement à la ligne d'alimentation à l'intérieur du caisson à l'aide des presse-étoupes. Les presse-câbles sont prévus pour des conducteurs avec un diamètre compris entre 5mm et 10mm. La partie de câble à l'intérieur de la gaine doit être suffisamment long pour permettre le branchement. Serrer opportunément les presse-étoupes.

6.1.4.1 Type de câble

Le type de câble à utiliser pour le branchement à la ligne d'alimentation doit être compatible avec l'emploi prévu. S'en tenir aux règles nationales en vigueur concernant les installations électriques.

6.1.5 Installation de la version avec double filtre pour le changement d'air

i Durant l'installation prêter l'installation à l'orientation des ailettes du filtre d'entrée de l'air.

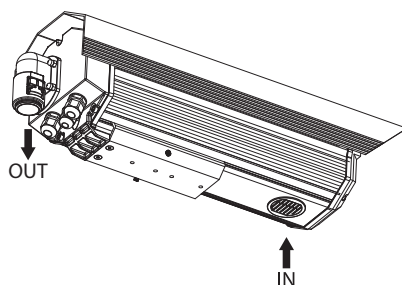


Fig. 4

Pour garantir un degré de protection, installer le caisson au support en respectant les limites d'inclinaison selon la figure.

Selon l'angle d'inclinaison de la gaine, l'orientation des ailettes du filtre doit empêcher à l'eau de pénétrer en cas de pluie.

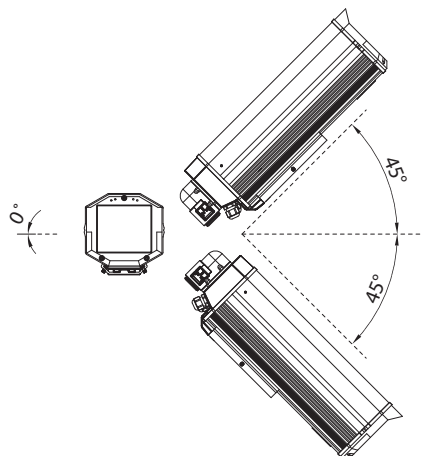


Fig. 5 Inclinaison maximale de l'axe transversal: 0°.
Inclinaison maximale de l'axe longitudinal: $\pm 45^\circ$.

6.1.6 Sachet déshydratant

Prenez le sachet de sel desséchant de son emballage et le placer dans le produit.

7 Accessoires

i Pour de plus amples informations sur la configuration et l'utilisation, consulter le manuel de l'accessoire correspondant.

7.1 Chauffage

7.1.1 Installation du chauffage

Après l'installation, raccorder les câbles à la borne. (alimentation du chauffage, 6.1.3 Description de la carte, page 6).

7.2 Alimentation pour caméra

7.2.1 Installation de l'alimentateur pour caméra

! Pas utilisable pour les caissons équipés de système essuie-glace installé.

! Il faut faire attention au valeur de tension utilisée en alimentant le circuit. Selon les exigences utiliser le kit d'alimentation approprié.

Les alimentateurs qui peuvent être installés sont de 2 catégories selon les exigences.

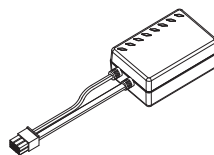


Fig. 6 V_{IN} de 100Vac à 240Vac, V_{OUT} 12Vdc.

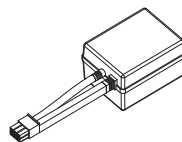


Fig. 7 V_{IN} 230Vac, V_{OUT} 24Vac.

Après l'installation, raccorder les câbles à la borne. (connecteur pour alimentation, 6.1.3 Description de la carte, page 6).

8 Instructions de fonctionnement courant



Ne pas utiliser l'essuie-glace lorsque la température extérieure est inférieure à 0°C ou en cas de givre.

9 Entretien et nettoyage



Sectionner l'alimentation électrique avant toute intervention technique sur l'appareil.

9.1 Nettoyage

9.1.1 Entretien de la vitre et des parties en plastique



On doit éviter alcool éthylique, solvants, hydrocarbures hydro-génés, acides forts et alcali. L'emploi de ce type de produits abîme d'une façon irréparable la surface traitée.

Il est conseillé d'utiliser un chiffon souple avec des savons neutres dilués avec de l'eau ou des produits spécifiques pour le nettoyage des verres des lunettes.

10 Élimination des déchets



Ce symbole et le système de recyclage ne sont appliqués que dans les pays UE et non dans les autres pays du monde.

Votre produit est conçu et fabriqué avec des matériaux et des composants de qualité supérieure qui peuvent être recyclés et réutilisés.

Ce symbole signifie que les équipements électriques et électroniques en fin de vie doivent être éliminés séparément des ordures ménagères.

Nous vous prions donc de confier cet équipement à votre Centre local de collecte ou Recyclage.

Dans l'Union Européenne, il existe des systèmes sélectifs de collecte pour les produits électriques et électroniques usagés.

11 Données techniques

11.1 Généralités

Construction en aluminium

Vernissage avec poudres époxy polyester, couleur RAL9002

Visserie extérieure en acier inox

11.2 Mécanique

Presse-étoupes: 3xM16

Fenêtre du caisson

- Dimensions (WxH): 94x80mm
- Matériau: Vitre

Surface intérieure utile

- Version vide: 134x88mm
- Version avec double ou triple chauffage: 112x88mm

Longueur intérieure utile (sans accessoires)

- HEG37: 365mm
- HEG47: 450mm

Longueur intérieure utile (avec accessoires):

- HEG37: 273mm
- HEG47: 363mm

Poids net

- HEG37: 4.1kg
- HEG47: 4.7kg

11.3 Électrique

Tension d'alimentation/Courant absorbé (version avec chauffage, Ton 15°C±3°C, Toff 22°C±3°C):

- 12Vdc, 1.6A max
- 24Vac, 0.85A max, 50/60Hz
- 120Vac, 0.35A max, 50/60Hz
- 230Vac, 0.18A max, 50/60Hz

Tension d'alimentation/Courant absorbé (version avec double chauffage, Ton 15°C±3°C, Toff 22°C±3°C):

- 120Vac, 0.7A max, 50/60Hz
- 230Vac, 0.35A max, 50/60Hz

Tension d'alimentation/Courant absorbé (version avec triple chauffage, ventilateur à cycle continu, Ton 15°C±3°C, Toff 22°C±3°C):

- 120Vac, 1A max, 50/60Hz
- 230Vac, 0.52A max, 50/60Hz

Tension d'alimentation/Courant absorbé (version avec ventilateur et thermostat avec double filtre pour le renouvellement de l'air, Ton 35°C±3°C, Toff 20°C±3°C):

- 12Vdc, 0.33A max
- 24Vac, 0.16A max, 50/60Hz

Alimentation pour caméra:

- V_{IN} de 100Vac à 240Vac, 50/60Hz
 V_{OUT} 12Vdc, 1A
- V_{IN} 230Vac, 50/60Hz
 V_{OUT} 24Vac, 400mA, 50/60Hz

11.4 Environnement

Intérieur/Extérieur

Température de fonctionnement

- Version avec chauffage: De -20°C a +60°C
- Version avec double chauffage: De -40°C a +60°C
- Version avec triple chauffage, ventilateur à cycle continu: De -50°C a +60°C

11.5 Certifications

Sécurité électrique (CE): EN60065

Compatibilité électromagnétique (CE): EN50130-4, EN61000-6-3

Degré de protection IP:

- EN60529, IP66/IP67 (avec presse-étoupes)
- EN60529, IP44 (avec double filtre pour le changement d'air)

Résistant au brume saline: ISO9227, jusqu'à 1000 heures

Certification EAC

12 Dessins techniques



Les dimensions des dessins sont exprimées en millimètres.

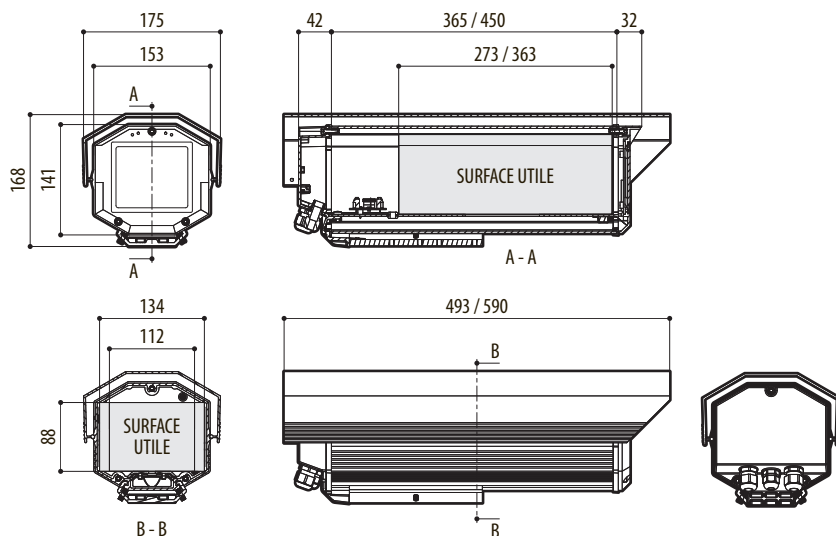


Fig. 8 HEG.

Headquarters Italy Videotec S.p.A.
Via Friuli, 6 - I-36015 Schio (VI) - Italy
Tel. +39 0445 697411 - Fax +39 0445 697414
Email: info@videotec.com

Asia Pacific Videotec (HK) Ltd
Flat 8, 19/F. On Dak Industrial Building, No. 2-6 Wah Sing Street
Kwai Chung, New Territories - Hong Kong
Tel. +852 2333 0601 - Fax +852 2311 0026
Email: info.hk@videotec.com

France Videotec France SARL
Immeuble Le Montreal, 19bis Avenue du Québec, ZA de Courtaboeuf
91140 Villebon sur Yvette - France
Tel. +33 1 60491816 - Fax +33 1 69284736
Email: info.fr@videotec.com

Americas Videotec Security, Inc.
Gateway Industrial Park, 35 Gateway Drive, Suite 100
Plattsburgh, NY 12901 - U.S.A.
Tel. +1 518 825 0020 - Fax +1 518 825 0022
Email: info.usa@videotec.com - www.videotec.us

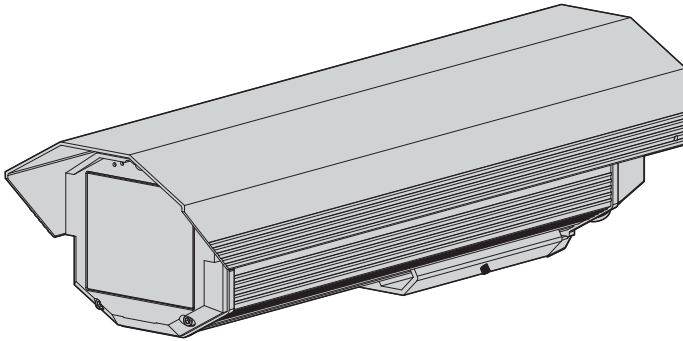


www.videotec.com
MNVCHG_1511_FR



HEG

Grosses Kameragehäuse



Inhaltsverzeichnis

1 Allgemeines	3
1.1 Schreibweisen.....	3
2 Anmerkungen zum Copyright und Informationen zu den Handelsmarken.....	3
3 Sicherheitsnormen	3
4 Identifizierung	4
4.1 Beschreibung und Bezeichnung des Produktes.....	4
4.2 Kennzeichnung des Produkts.....	4
5 Vorbereitung des Produktes auf den Gebrauch.....	4
5.1 Sicherheitsvorkehrungen vor dem Gebrauch.....	4
5.2 Entfernen der Verpackung und Inhalt.....	4
5.2.1 Entfernen der Verpackung	4
5.2.2 Inhalt	4
5.3 Sichere Entsorgung der Verpackungsmaterialien	4
5.4 Auf die Installation vorbereitende Tätigkeiten.....	4
5.4.1 Befestigung der Halterung.....	4
6 Zusammenbau und Installation	5
6.1 Installation.....	5
6.1.1 Öffnung des Schutzgehäuse	5
6.1.2 Installation der Kamera	5
6.1.3 Beschreibung der Karte.....	6
6.1.4 Anschluss der Stromversorgung.....	6
6.1.4.1 Kabelart.....	6
6.1.5 Installation der Version mit Doppelfilter für den Luftaustausch	7
6.1.6 Trockenmittelbeutel	7
7 Zubehör	7
7.1 Heizung	7
7.1.1 Installation der Heizung.....	7
7.2 Kameranetzteil.....	7
7.2.1 Installation des Netzteil für Kamera.....	7
8 Anleitung für den normalen Betrieb.....	8
9 Wartung und Reinigung.....	8
9.1 Reinigung	8
9.1.1 Reinigung des Glases und der Kunststoffteile	8
10 Müllentsorgungsstellen.....	8
11 Technische Daten.....	9
11.1 Allgemeines.....	9
11.2 Mechanik.....	9
11.3 Elektrik.....	9
11.4 Umgebung	9
11.5 Zertifizierungen	9
12 Technische Zeichnungen.....	10

1 Allgemeines

Lesen Sie bitte vor dem Installieren und dem Verwenden dieses Gerätes die Bedienungsanleitung sorgfältig durch. Bewahren Sie sie zum späteren Nachschlagen auf.

1.1 Schreibweisen



GEFAHR!

Erhöhte Gefährdung. Stromschlaggefahr. Falls nichts anderes angegeben, unterbrechen Sie die Stromversorgung, bevor die beschriebenen Arbeiten durchgeführt werden.



ACHTUNG!

Mittlere Gefährdung. Der genannte Vorgang hat große Bedeutung für den einwandfreien Betrieb des Systems: es wird gebeten, sich die Verfahrensweise anzulesen und zu befolgen.



ANMERKUNG

Beschreibung der Systemmerkmale. Eine sorgfältige Lektüre wird empfohlen, um das Verständnis der folgenden Phasen zu gewährleisten.

2 Anmerkungen zum Copyright und Informationen zu den Handelsmarken

Die angeführten Produkt- oder Firmennamen sind Handelsmarken oder eingetragene Handelsmarken.

3 Sicherheitsnormen



ACHTUNG! Die Installation und Wartung der Vorrichtung ist technischen Fachleuten vorbehalten.

- Der Hersteller lehnt jede Haftung für eventuelle Schäden ab, die aufgrund unsachgemäßer Anwendung der in diesem Handbuch erwähnten Geräte entstanden ist. Ferner behält er sich das Recht vor, den Inhalt ohne Vorkündigung abzuändern. Die Dokumentation in diesem Handbuch wurde sorgfältig ausgeführt und überprüft. Der Hersteller kann dennoch keine Haftung für die Verwendung übernehmen. Dasselbe gilt für jede Person oder Gesellschaft, die bei der Schaffung oder Produktion von diesem Handbuch miteinbezogen ist.
- Unterbrechen Sie die Stromversorgung, bevor die beschriebenen Arbeiten durchgeführt werden.
- Es dürfen keine Kabel mit Verschleiß- oder Alterungsspuren verwendet werden.
- Unter keinen Umständen dürfen Veränderungen oder Anschlüsse vorgenommen werden, die in diesem Handbuch nicht genannt sind. Der Gebrauch ungeeigneten Geräts kann die Sicherheit des Personals und der Anlage schwer gefährden.
- Es dürfen nur Original-Ersatzteile verwendet werden. Nicht originale Ersatzteile können zu Bränden, elektrischen Entladungen oder anderen Gefahren führen.
- Vor der Installation ist anhand des Kennzeichnungsschildes nachzuprüfen, ob das gelieferte Material die gewünschten Eigenschaften (4.2 Kennzeichnung des Produkts, Seite 4).

4 Identifizierung

4.1 Beschreibung und Bezeichnung des Produktes

Robustes, geräumiges Aluminiumgehäuse für die Aufnahme von Kameras der Typen 1/2", 1/3" und 1/4" sowie von verschiedenartigen Optiken.

Es kann für eine Vielzahl von Anwendungen im Rahmen der Stadt- und Autobahnüberwachung eingesetzt werden, insbesondere in Verbindung mit den Schwenk-Neige-Köpfen der Baureihe PTH900.

Montage und Einstellung der Videokamera werden erleichtert durch die Möglichkeit, den Korpus zu entnehmen. Am inneren Schlitten, der dadurch in Arbeitsposition leicht zugänglich ist, kann dann bequem gearbeitet werden.

Es läßt sich mit Kabelschutzhülsen installieren, die anstelle der normalen Kabelverschraubungen die Verkabelung im Auflegekasten erleichtern.

Eine große Auswahl an Montagezubehör ist lieferbar, um allen Installationsanforderungen zu entsprechen.

4.2 Kennzeichnung des Produkts

Siehe die Etikett auf dem Produkt.

5 Vorbereitung des Produktes auf den Gebrauch



Jede vom Hersteller nicht ausdrücklich genehmigte Veränderung führt zum Verfall der Gewährleistungsrechte.

5.1 Sicherheitsvorkehrungen vor dem Gebrauch



ACHTUNG! Die elektrische Anlage, an der die Einheit angeschlossen ist, muss mit einem automatischen zweipoligen Schutzschalter 15A max ausgestattet sein. Zwischen den Kontakten muss mindestens ein Abstand von 3mm vorhanden sein. Der Schalter muss eine Schutzeinrichtung gegen Erde Fehlerstrom (Differenzial) und gegen Überstrom haben (magnetothermisch).

5.2 Entfernen der Verpackung und Inhalt

5.2.1 Entfernen der Verpackung

Bei der Lieferung des Produktes ist zu prüfen, ob die Verpackung intakt ist oder offensichtliche Anzeichen von Stürzen oder Abrieb aufweist.

Bei offensichtlichen Schadensspuren an der Verpackung muss umgehend der Lieferant verständigt werden.

Bewahren Sie die Verpackung auf für den Fall, dass das Produkt zur Reparatur eingeschendet werden muss.

5.2.2 Inhalt

Prüfen Sie, ob der Inhalt mit der nachstehenden Materialliste übereinstimmt:

- Gehäuse
- Innensechskantschlüssel:
 - Innensechskantschlüssel
 - Abstandsstücke
 - Schrauben
- Trockenmittelbeutel
- Bedienungsanleitung

5.3 Sichere Entsorgung der Verpackungsmaterialien

Die Verpackungsmaterialien sind vollständig wiederverwertbar. Es ist Sache des Installationstechnikers, sie getrennt, auf jeden Fall aber nach den geltenden Vorschriften des Anwendungslandes zu entsorgen.

Im Falle der Rückgabe des nicht korrekt funktionierenden Produktes empfiehlt sich die Verwendung der Originalverpackung für den Transport.

5.4 Auf die Installation vorbereitende Tätigkeiten

5.4.1 Befestigung der Halterung



Das Produkt muss mit geeigneten Mitteln befestigt werden. Die Befestigungsmittel müssen die mechanische Festigkeit beim Anlegen von mindestens dem 4-fachen Gesamtgewicht des Gerätes garantieren.

6 Zusammenbau und Installation

! Zusammenbau und Installation sind qualifizierten Fachleuten vorbehalten.

6.1 Installation

6.1.1 Öffnung des Schutzgehäuse

Werden die Schrauben aus der hinteren Abdeckplatte entfernt und die 2 Gewindestifte auf dem externen Schlitten gelockert. Den Gehäusekorpus herausziehen.

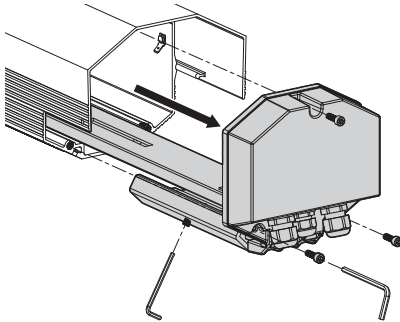


Abb. 1

i Am Ende der Montage und der Verkabelung das Gehäuse schliessen.

6.1.2 Installation der Kamera

! Die Stromversorgung muss über die Karte erfolgen, die im Lieferumfang des Geräts enthalten ist. Prüfen, dass die Spannungswerte angemessen sind.

Das Gehäuse öffnen, wie vorstehend beschrieben (6.1.1 Öffnung des Schutzgehäuse, Seite 5).

Befestigen Sie die Kamera mit der 1/4"-Schraube (01). Falls erforderlich, kommen die mitgelieferten Distanzstücke zum Einsatz, um Kamera und Optik korrekt unterzubringen. (02).

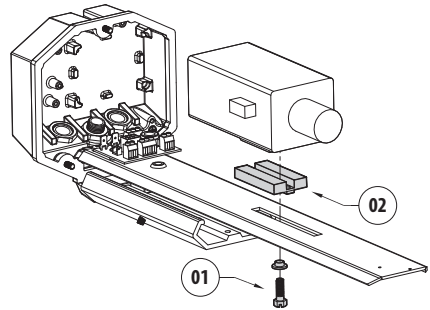


Abb. 2

Die Schutzummantelung der Leiter entfernen und die Leiter an die Klemme anschließen (Kameraversorgung, 6.1.3 Beschreibung der Karte, Seite 6).

Die Leiter des Kabels für die Versorgung der Kamera müssen in Klemmennähe fest miteinander mit einem Kabelbinder verbunden werden. Die Versorgungskabel von den Signalkabeln getrennt halten.

Den internen Schlitten wieder an Ort und Stelle bringen und die zuvor gelockerten Schrauben festziehen.

6.1.3 Beschreibung der Karte



Den Erdungsschutzleiter an die zugehörige Stromversorgungsklemme anschließen.



Die Abbildung kann von der tatsächlichen Karte abweichen.



Je nach Geräteausführung verfügt die Karte möglicherweise nicht über alle Funktionen.

BESCHREIBUNG DER KARTE

Verbinder	Funktion
J1	Kameraversorgung (V_{OUT}) ¹
J2	Heizungsversorgung (V_{OUT})
J3	Platinenversorgung (V_{IN}) ²
J4	Hilfsausgang (V_{OUT}) ³
J5	Verbinder für Netzteil/Überbrückung ⁴
J6	Stromversorgung des Lüfters (V_{OUT})

Tab. 1 ¹ Je nach Ausführung sind mehrere Alternativen möglich. $V_{OUT} = 12Vdc$ o $V_{OUT} = 24Vac$, je nach Art des installierten Netzteils (7.2.1 Installation des Netzteil für Kamera, Seite 7). $V_{OUT} = V_{IN}$, nur für mit 12Vdc oder 24Vac versorgte Gehäuse, mit angeschlossener Brücke (J5).

² Von 100Vac a 240Vac, 24Vac o 12Vdc.

³ Die gleiche Spannung liegt an der Versorgungsklemme der Platine (J3).

⁴ Um ein 12V-Gleichstrom- oder 24V-Wechselstrom-Netzteil zu installieren, bitte das entsprechende Kapitel beachten. (7.2.1 Installation des Netzteil für Kamera, Seite 7).

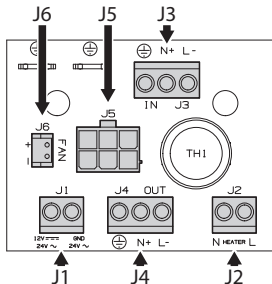


Abb. 3

6.1.4 Anschluss der Stromversorgung

Die Kabel für den Anschluss an die Versorgungsleitung durch die Kabelverschraubungen ins Gehäuseinnere führen. Die Kabelverschraubungen eignen sich für Leiter mit Durchmesser zwischen 5mm und 10mm. Der Kabelabschnitt im Gehäuse muss ausreichend lang sein, damit der Anschluss möglich ist. Ziehen Sie die Kabelverschraubungen in geeigneter Weisefest.

6.1.4.1 Kabelart

Die für den Anschluss an die Versorgungsleitung benutzte Kabelart muss für den vorgesehenen Gebrauch geeignet sein. Beachten Sie die geltenden nationalen Vorschriften bezüglich Elektroinstallationen.

6.1.5 Installation der Version mit Doppelfilter für den Luftaustausch

i Während der Installation auf die Ausrichtung der Luftklappen am Lufteinlassfilter achten.

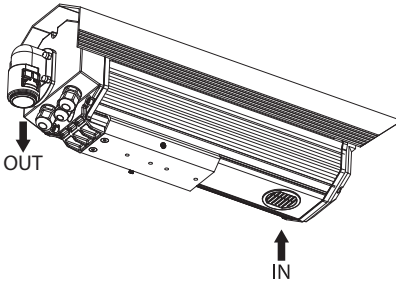


Abb. 4

Das Gehäuse auf der Halterung gemäß den Neigungsbegrenzungen des Bildes installieren, um den Schutzgrad zu garantieren.

Je nach Neigungswinkel des Gehäuses müssen die Luftklappen am Filter so ausgerichtet sein, dass bei Regen kein Wasser eindringen kann.

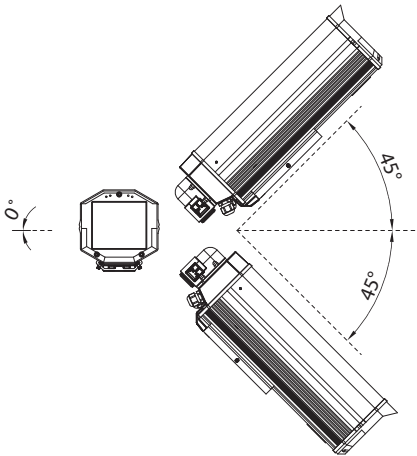


Abb. 5 Maximale Neigung der Querachse: 0°.
Maximale Neigung der Längsachse: ±45°.

6.1.6 Trockenmittelbeutel

Nehmen Sie den Trockenmittel- Salzbeutel aus seiner Verpackung und setzen Sie ihn in der Produkt.

7 Zubehör

i Für weitere Details zur Konfiguration und zum Gebrauch beachten Sie bitte das Handbuch des entsprechenden Geräts.

7.1 Heizung

7.1.1 Installation der Heizung

Am Ende der Montage die Verkabelung an die Klemme verinden (Heizungsvorsorgung, 6.1.3 Beschreibung der Karte, Seite 6).

7.2 Kameranetzteil

7.2.1 Installation des Netzteil für Kamera

! Nicht anwendbar in Gehäusen mit installiertem Scheibenwischer.

! Wenn der Schaltkreis gespeist wird, muß auf Versorgungsspannungswert geachtet werden. Verwenden Sie das für den Einzelfall geeignete Netzgerät.

Es lassen sich je nach Bedarf 2 Kategorien von Netzadaptern installieren.

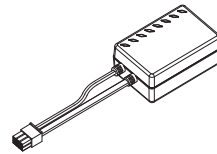


Abb. 6 V_{IN} von 100Vac a 240Vac, V_{OUT} 12Vdc.

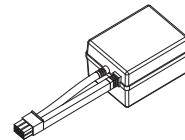


Abb. 7 V_{IN} 230Vac, V_{OUT} 24Vac.

Am Ende der Montage die Verkabelung an die Klemme verinden (Verbinder für Netzteil, 6.1.3 Beschreibung der Karte, Seite 6).

8 Anleitung für den normalen Betrieb



Der Scheibenwischer ist bei Aussentemperaturen unter 0°C oder bei Glas nicht zu betätigen.

9 Wartung und Reinigung



Vor technischen Eingriffen am Gerät muss die Stromversorgung unterbrochen werden.

9.1 Reinigung

9.1.1 Reinigung des Glases und der Kunststoffteile



Zu vermeiden sind Äthylalkohol, Lösungsmittel, hydrierte Kohlenwasserstoffe, starke Säuren und Alkali. Diese Produkte können die behandelte Oberfläche beschädigen.

Es wird empfohlen, ein weiches Tuch und neutrale mit Wasser verdünnte Seife oder ein spezifisches Reinigungsmittel für Brillengläser zu verwenden.

10 Müllentsorgungsstellen



Dieses Symbol und das entsprechende Recycling-System gelten nur für EULänder und finden in den anderen Ländern der Welt keine Anwendung.

Ihr Produkt wurde entworfen und hergestellt aus qualitativ hochwertigen Materialien und Komponenten, die recycelt und wiederverwendet werden können.

Dieses Symbol bedeutet, daß elektrische und elektronische Geräte am Ende ihrer Nutzungsdauer von Hausmüll getrennt entsorgt werden sollen.

Bitte entsorgen Sie dieses Gerät bei Ihrer örtlichen Sammelstelle oder im Recycling Centre.

In der Europäischen Union gibt es unterschiedliche Sammelsysteme für Elektrik- und Elektronikgeräte.

11 Technische Daten

11.1 Allgemeines

Aus Aluminium

Pulverlackierung mit Epoxydpolyester, Farbe RAL9002

Externe Schrauben aus rostfreiem Stahl

11.2 Mechanik

Kabelverschraubungen: 3xM16

Gehäusefenster

- Abmessungen (WxH): 94x80mm
- Material: Glas

Innere Nutzabmessungen

- Leere Version: 134x88mm
- Version mit Doppel oder Dreifacheheizung : 112x88mm

Innere Nutzlänge (ohne Zubehör)

- HEG37: 365mm
- HEG47: 450mm

Innere Nutzlänge (mit Zubehör):

- HEG37: 273mm
- HEG47: 363mm

Einheitsgewicht

- HEG37: 4.1kg
- HEG47: 4.7kg

11.3 Elektrik

Versorgungsspannung/Stromaufnahme (Ausführung mit Heizung, Ton 15°C±3°C, Toff 22°C±3°C):

- 12Vdc, 1.6A max
- 24Vac, 0.85A max, 50/60Hz
- 120Vac, 0.35A max, 50/60Hz
- 230Vac, 0.18A max, 50/60Hz

Versorgungsspannung/Stromaufnahme (Ausführung mit Doppelheizung, Ton 15°C±3°C, Toff 22°C±3°C):

- 120Vac, 0.7A max, 50/60Hz
- 230Vac, 0.35A max, 50/60Hz

Versorgungsspannung/Stromaufnahme (Ausführung mit Dreifacheheizung, Lüfter im Dauerbetrieb, Ton 15°C±3°C, Toff 22°C±3°C):

- 120Vac, 1A max, 50/60Hz
- 230Vac, 0.52A max, 50/60Hz

Versorgungsspannung/Stromaufnahme (Version mit Lüfter und Thermostat mit Doppelfilter für Luftwechsel, Ton 35°C±3°C, Toff 20°C±3°C):

- 12Vdc, 0.33A max
- 24Vac, 0.16A max, 50/60Hz

Kameranzteil:

- V_{IN} von 100Vac a 240Vac, 50/60Hz
 V_{OUT} 12Vdc, 1A
- V_{IN} 230Vac, 50/60Hz
 V_{OUT} 24Vac, 400mA, 50/60Hz

11.4 Umgebung

Innen/Außen

Betriebstemperatur

- Ausführung mit Heizung: Von -20°C a +60°C
- Ausführung mit Doppelheizung: Von -40°C a +60°C
- Ausführung mit dreifacher Heizung, Lüfter im Dauerbetrieb: Von -50°C a +60°C

11.5 Zertifizierungen

Elektrische Sicherheit (CE): EN60065

Elektromagnetische Verträglichkeit (CE): EN50130-4, EN61000-6-3

Schutzart IP:

- EN60529, IP66/IP67 (mit Kabelverschraubungen)
- EN60529, IP44 (mit Doppelfilter für den Luftaustausch)

Salznebelbeständig: ISO9227, bis 1000 Stunden

EAC-Zertifizierung

12 Technische Zeichnungen



Die Abmessungen der Zeichnungen sind in Millimeter angegeben.

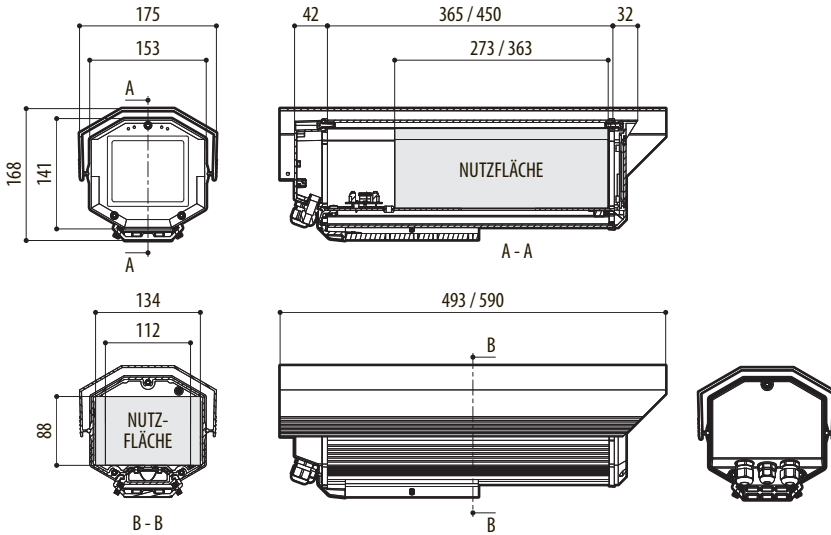


Abb. 8 HEG.

Headquarters Italy Videotec S.p.A.

Via Friuli, 6 - I-36015 Schio (VI) - Italy
Tel. +39 0445 697411 - Fax +39 0445 697414
Email: info@videotec.com

Asia Pacific Videotec (HK) Ltd

Flat 8, 19/F. On Dak Industrial Building, No. 2-6 Wah Sing Street
Kwai Chung, New Territories - Hong Kong
Tel. +852 2333 0601 - Fax +852 2311 0026
Email: info.hk@videotec.com

France Videotec France SARL

Immeuble Le Montreal, 19bis Avenue du Québec, ZA de Courtaboeuf
91140 Villebon sur Yvette - France
Tel. +33 1 60491816 - Fax +33 1 69284736
Email: info.fr@videotec.com

Americas Videotec Security, Inc.

Gateway Industrial Park, 35 Gateway Drive, Suite 100
Plattsburgh, NY 12901 - U.S.A.
Tel. +1 518 825 0020 - Fax +1 518 825 0022
Email: info.usa@videotec.com - www.videotec.us

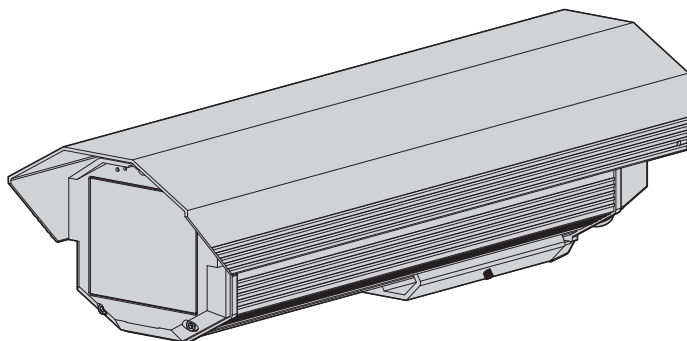


www.videotec.com
MNVCHG_1511_DE



HEG

Кожух большого размера



Индекс

1 Информация о настоящем руководстве	3
1.1 Типографские обозначения.....	3
2 Примечания по авторскому праву и торговым маркам	3
3 Правила безопасности	3
4 Идентификация	4
4.1 Описание и назначение изделия.....	4
4.2 Маркировка изделия	4
5 Подготовка изделия к использованию	4
5.1 Меры безопасности перед использованием.....	4
5.2 Распаковка и содержание.....	4
5.2.1 Распаковка	4
5.2.2 Содержимое.....	4
5.3 Переработка в отходы в условиях безопасности материалов упаковки	4
5.4 Подготовительная работа перед установкой.....	4
5.4.1 Установка кронштейна.....	4
6 Сборка и установка	5
6.1 Монтаж	5
6.1.1 Открытие корпуса	5
6.1.2 Установка телекамеры	5
6.1.3 Описание платы	6
6.1.4 Подключение к линии питания.....	6
6.1.4.1 Тип кабеля	6
6.1.5 Установка версии с двойным фильтром для воздухообмена	7
6.1.6 Пакетик с осушителем.....	7
7 Аксессуары	7
7.1 Нагреватель.....	7
7.1.1 Установка системы нагревания.....	7
7.2 Блоки питания для камер.....	7
7.2.1 Установка блока питания для телекамеры	7
8 Инструкции по обычному функционированию	8
9 Техобслуживание и очистка	8
9.1 Уборка	8
9.1.1 Очистка стекла и пластмассовых частей	8
10 Вывоз в отходы	8
11 Технические параметры	9
11.1 Общее	9
11.2 Механика.....	9
11.3 Электрические характеристики	9
11.4 Среда.....	9
11.5 Сертификация	9
12 Технические чертежи	10

1 Информация о настоящем руководстве

Перед монтажом и использованием настоящего блока, внимательно прочитайте настоящее руководство. Хранить данное руководство под рукой для будущих консультаций.

1.1 Типографские обозначения



ОПАСНОСТЬ!

Повышенная опасность.

Опасность удара электрическим током.

Если не указано иным образом, отключите питание, Прежде чем приступить к выполнению операций, если не указано иным образом, отключите питание.



ПРЕДУПРЕЖДЕНИЕ!

Средняя опасность.

Эта операция очень важна для правильной работы системы. Просим внимательно прочитать приведенную процедуру и выполнить ее указанным способом.



INFO

Описание характеристик системы. Рекомендуется внимательно для выполнения следующих фаз.

2 Примечания по авторскому праву и торговым маркам

Упомянутые название компаний и продукции являются торговыми марками или зарегистрированными торговыми марками, принадлежащими соответствующим компаниям.

3 Правила безопасности



ПРЕДУПРЕЖДЕНИЕ! Следует использовать только кронштейны или принадлежности, рекомендуемые для монтажа.

- Производитель снимает с себя какую-либо ответственность за возможный ущерб, вызванный использованием не по назначению упомянутого в данном руководстве оборудования. Также сохраняется право изменять содержание без предварительного извещения. При тщательном сборе документации, содержащейся в настоящем руководстве, были сделаны все необходимые проверки. Производитель, однако, не может взять на себя какую-либо ответственность, связанную с его использованием. Это относится к любому лицу или обществу, вовлеченному в создание и производство данного руководства.
- Перед началом любой операции, убедитесь, что электропитание отключено.
- Не использовать кабели со следами повреждений или старения.
- Ни в коем случае не вносить изменений и не выполнять подключений, не предусмотренных данным руководством. Использование оборудования не по назначению, может привести к серьезным рискам и опасно, как для персонала, так и для системы.
- Используйте только оригинальные запасные части. Номера для оригинальных запасных частей может привести к пожару, электрический разряд или других опасностей.
- Перед монтажом проверить, что поставляемый материал соответствует требуемым техническим спецификациям, проверив этикетки маркировки (4.2 Маркировка изделия, страница 4).

4 Идентификация

4.1 Описание и назначение изделия

Крепкий и просторный алюминиевый футляр подходит для содержания телекамер 1/2", 1/3" и 1/4" с объективами разных типов.

Может использоваться в различных целях, для наблюдений в городах и на автомобильных дорогах, особенно в сочетании с поворотными устройствами серии РТН900.

Система прямого открытия позволяет вам получить простой доступ к камере в процессе установки и обслуживания

Установка на гермокожухе специальных разъемов может быть удобнее, чем использовать стандартные гермовводы и уличные коробки для подключения.

Возможны любые варианты установки, благодаря наличию большого количества дополнительного крепежного оборудования.

4.2 Маркировка изделия

См. ярлык на продукт.

5 Подготовка изделия к использованию



Любое изменение, выполненное без разрешения изготовителя, ведёт к потере гарантии.

5.1 Меры безопасности перед использованием



ПРЕДУПРЕЖДЕНИЕ! Система электропитания, к которой подключен прибор, должен быть оснащена биполярный автоматический выключатель защиты макс. 15А. Минимальное расстояние между контактами должно быть 3mm. Выключатель должен иметь защиту против пробоя тока на землю (дифференциальную) и сверхток (магнитотермический).

5.2 Распаковка и содержание

5.2.1 Распаковка

При поставке изделия убедитесь в том, что упаковка не повреждена и не имеет явных признаков падений или царапин.

В случае видимых повреждений упаковки немедленно свяжитесь с поставщиком.

Храните упаковку на случай, если необходимо отправка изделия для ремонта.

5.2.2 Содержимое

Убедитесь в том, что содержимое будет соответствовать списку материалов, приведённому ниже:

- Кожух
- Оснащение для футляра:
 - Ключи шестигранныки
 - Распорки
 - Набор винтов
- Пакетик с осушителем
- Учебник инструкции

5.3 Переработка в отходы в условиях безопасности материалов упаковки

Материалы упаковки полностью состоят из рекуперированного материала. Техник по установке должен переработать их в отходы в соответствии с порядком дифференцированного сбора или, в любом случае, в соответствии действующими правилами в стране использования.

В случае возврата некачественной продукции, рекомендуем использовать первоначальную оригинальную упаковку для транспортировки.

5.4 Подготовительная работа перед установкой

5.4.1 Установка кронштейна



Устройство должно крепиться с помощью адекватных средств. Крепежные элементы должны гарантировать механическую герметичность, оказывая воздействие, равное хотя бы 4-кратному общему весу аппаратуры.

6 Сборка и установка

! Монтаж и установка оборудования должны выполняться только квалифицированным для этого персоналом.

6.1 Монтаж

6.1.1 Открытие корпуса

Отвинтите винты, установленные в задней части днища и ослабьте 2 установочных винта, установленных на внешних салазках. Снимите корпус футляра.

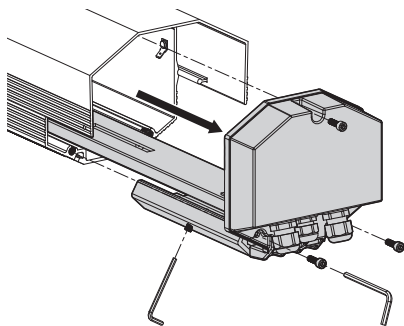


Рис. 1

i По завершении операций по установке и прокладке кабеля закройте футляр.

6.1.2 Установка телекамеры

! Питание может обеспечиваться платой, прилагающейся к изделию. Убедитесь в адекватности значений напряжения.

Откройте футляр, как описано ранее (6.1.1 Открытие корпуса, страница 5).

Прикрепите телекамеру с помощью винта 1/4" (01). Для правильного размещения телекамеры и объектива используйте, при необходимости, прилагающиеся распорки (02).

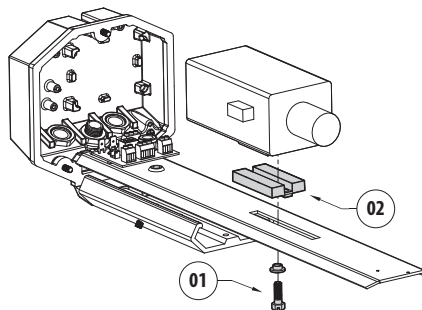


Рис. 2

Снимите защитную оплетку кабелей и подключите их к клеммам (питание телекамеры, 6.1.3 Описание платы, страница 6).

Провода кабеля питания телекамеры должны удерживаться вместе с помощью стяжного хомутика, расположенного вблизи клеммы. Держать кабели питания отдельно от кабелей сигнала.

Установите на место внутренние салазки, затянув ранее ослабленные винты.

6.1.3 Описание платы

⚠ Подключите защитное заземление к соответствующей клемме разъема питания.

i Вид платы может отличаться от показанного.

i Плата, в зависимости от версии продукта, может не обладать всеми функциями.

ОПИСАНИЕ ПЛАТЫ	
Разъём	Функция
J1	Питание телекамеры (V_{out}) ¹
J2	Питание устройства нагрева (V_{out})
J3	Питание платы (V_{in}) ²
J4	Вспомогательный выход (V_{out}) ³
J5	Разъём для блока питания/перемычка ⁴
J6	Питание вентилятора (V_{out})

Таб. 1 ¹ Возможны различные альтернативы, в зависимости от версии. $V_{out} = 12Vdc$ о $V_{out} = 24Vac$, в зависимости от типа м блока питания (7.2.1 Установка блока питания для телекамеры, страница 7). $V_{out} = V_{in}$, только для футляров, получающих питание 12Vdc или 24Vac с включенной перемычкой (J5).

² От 100Vac а 240Vac, 24Vac о12Vdc.

³ То же напряжение, подаваемое на клемму питания платы (J3).

⁴ По вопросам установки блока питания 12Vdc или 24Vac обратитесь к соответствующей главе (7.2.1 Установка блока питания для телекамеры, страница 7).

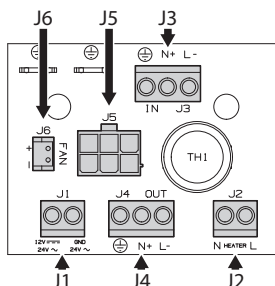


Рис. 3

6.1.4 Подключение к линии питания

Введите кабели подключения к линии питания внутрь футляра через кабельные муфты. Кабельные муфты подходят к проводам, имеющим диаметр от 5 до 10mm. Участок кабеля внутри футляра должен иметь достаточную длину и гарантировать подключение. Затяните соответственно кабельные муфты.

6.1.4.1 Тип кабеля

Тип кабеля, используемого для подключения к линии питания, должен соответствовать предусмотренному использованию. Придерживайтесь действующих национальных нормативов, касающихся электрических установок.

6.1.5 Установка версии с двойным фильтром для воздухообмена

i Во время установки обратите внимание на ориентировку ребер фильтра на входе воздуха.

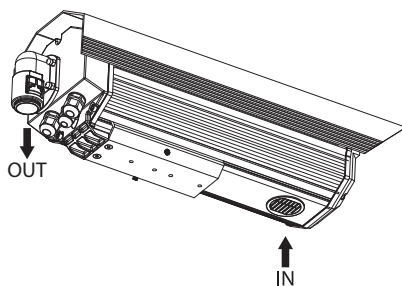


Рис. 4

В целях обеспечения соответствующей степени защиты установите футляр на кронштейн, соблюдая пределы наклона, приведенные на рисунке.

В зависимости от угла наклона футляра, ориентировка ребер фильтра должна быть такой, чтобы предупредить проникновение воды в случае дождя.

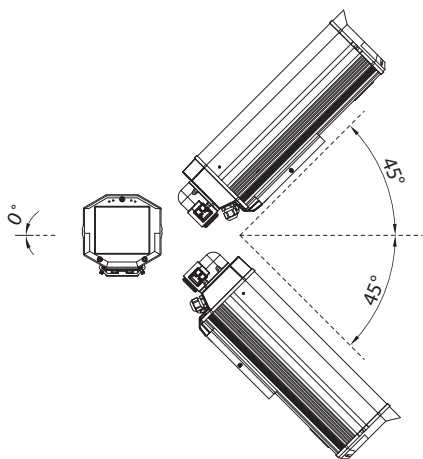


Рис. 5 Максимальный наклон поперечной оси: 0°. Максимальный наклон продольной оси: $\pm 45^\circ$.

6.1.6 Пакетик с осушителем

Извлеките пакетик с осушителем из упаковки и вставьте его в изделие.

7 Аксессуары

i Для дополнительной информации по конфигурации и использованию обращаться к руководству по эксплуатации соответствующего оборудования.

7.1 Нагреватель

7.1.1 Установка системы нагрева

По завершении монтажа подключите кабель к клемме (питание устройства нагрева, 6.1.3 Описание платы, страница 6).

7.2 Блоки питания для камер

7.2.1 Установка блока питания для телекамеры

! Не используется в футлярах, оснащенных системой стеклоочистения.

! Обратите внимание на значение используемого напряжения, когда подаете напряжение на контур. В зависимости от напряжения питания правильно выберите комплект питания.

Можно устанавливать блоки питания 2 категорий, в зависимости от потребностей.

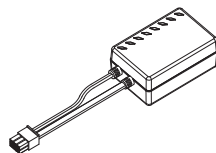


Рис. 6 V_{in} от 100Vac а 240Vac, V_{out} 12Vdc.

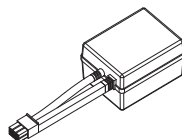


Рис. 7 V_{in} 230Vac, V_{out} 24Vdc.

По завершении монтажа подключите кабель к клемме (разъем для блока питания, 6.1.3 Описание платы, страница 6).

8 Инструкции по обычному функционированию



Не пользуйтесь стеклоочистителем, когда внешняя температура ниже 0°C или имеется лёд.

9 Техобслуживание и очистка



Перед выполнении технических операций на оборудовании, отключить электропитание.

9.1 Уборка

9.1.1 Очистка стекла и пластмассовых частей



Избегать применение этилового спирта, растворителей, гидрированных углеводов, сильных кислот и щелочей. Использование названных продуктов наносит непоправимый вред обрабатываемой поверхности.

Для очистки линз очков рекомендуется пользоваться мягкой тканью с раствором нейтрального мыла или специальных чистящих средств в воде.

10 Вывоз в отходы



Этот символ и система утилизации имеют значение только в странах ЕС и не находят применения в других странах мира.

Ваше изделие было изготовлено из материалов и компонентов высокого качества, могущих быть повторно использованными или утилизированными.

Электрические и электронные материалы, на которых имеется указанный символ, в конце срока службы должны выбрасываться отдельно от бытовых отходов.

Просим вывезти это устройство в Центр сбора или на экологическую станцию.

В Европейском Сообществе существуют системы дифференцированного сбора мусора для электронных и электрических изделий.

11 Технические параметры

11.1 Общее

Корпус из алюминия

Эпоксиполиэстеровое порошковое покрытие, цвет RAL9002

Внешние винты из нержавеющей стали

11.2 Механика

Кабельная муфта: 3xM16

Окно футляра

- Размеры (ШxВ): 94x80mm
- Материал: Стекло

Полезные внутренние размеры

- Версия пустая: 134x88mm
- Версия с двойным или тройным нагреванием: 112x88mm

Внутренняя полезная длина (без принадлежностей)

- HEG37: 365mm
- HEG47: 450mm

Внутренняя полезная длина (с аксессуарами):

- HEG37: 273mm
- HEG47: 363mm

Вес устройства

- HEG37: 4.1kg
- HEG47: 4.7kg

11.3 Электрические характеристики

Питание/Потребление тока (варианты с обогревателем, Ton 15°C±3°C, Toff 22°C±3°C):

- 12Vdc, 1.6A max
- 24Vac, 0.85A max, 50/60Hz
- 120Vac, 0.35A max, 50/60Hz
- 230Vac, 0.18A max, 50/60Hz

Питание/Потребление тока (версия с двойным нагреванием, Ton 15°C±3°C, Toff 22°C±3°C):

- 120Vac, 0.7A max, 50/60Hz
- 230Vac, 0.35A max, 50/60Hz

Питание/Потребление тока (версия с тройным нагреванием, вентилятор с непрерывным циклом, Ton 15°C±3°C, Toff 22°C±3°C):

- 120Vac, 1A max, 50/60Hz
- 230Vac, 0.52A max, 50/60Hz

Питание/Потребление тока (версия с вентилятором и термостатом для моделей с двойным фильтром для воздухообмена, Ton 35°C±3°C, Toff 20°C±3°C):

- 12Vdc, 0.33A max
- 24Vac, 0.16A max, 50/60Hz

Блоки питания для камер:

- V_{IN} от 100Vac а 240Vac, 50/60Hz
 V_{OUT} 12Vdc, 1A
- V_{IN} 230Vac, 50/60Hz
 V_{OUT} 24Vac, 400mA, 50/60Hz

11.4 Среда

Внутренняя/Наружная установка

Рабочая температура

- Варианты с обогревателем: От -20°C а +60°C
- Версия с двойным нагреванием: От -40°C а +60°C
- Версия с тройным нагреванием, вентилятор с непрерывным циклом: От -50°C а +60°C

11.5 Сертификация

Электрическая безопасность (CE): EN60065

Электромагнитная совместимость (CE): EN50130-4, EN61000-6-3

Степень защиты IP корпуса:

- EN60529, IP66/IP67 (с кабельной муфтой)
- EN60529, IP44 (с двойным фильтром для воздухообмена)

Защита от соленого тумана: ISO9227, туману 1000 часов

Сертификат EAC

12 Технические чертежи



Размеры в чертежах выражены в миллиметрах.

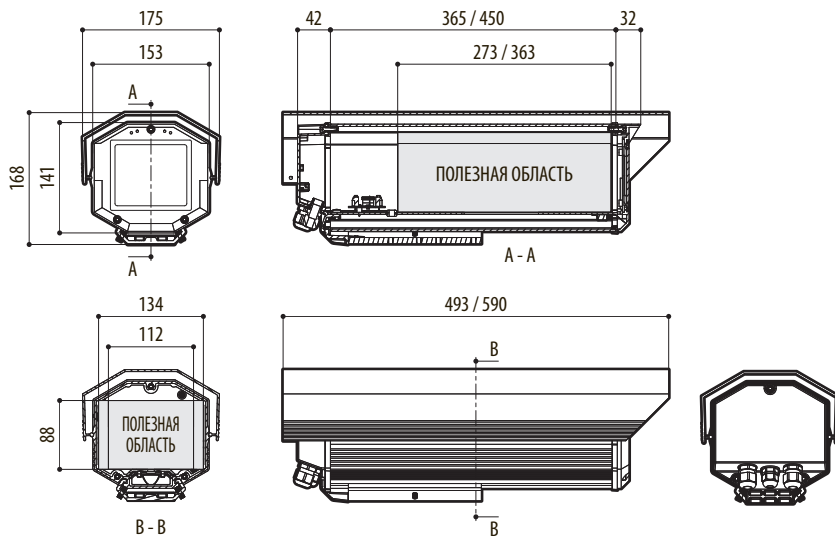


Рис. 8 HEG.

Headquarters Italy Videotec S.p.A.
Via Friuli, 6 - I-36015 Schio (VI) - Italy
Tel. +39 0445 697411 - Fax +39 0445 697414
Email: info@videotec.com

Asia Pacific Videotec (HK) Ltd
Flat 8, 19/F. On Dak Industrial Building, No. 2-6 Wah Sing Street
Kwai Chung, New Territories - Hong Kong
Tel. +852 2333 0601 - Fax +852 2311 0026
Email: info.hk@videotec.com

France Videotec France SARL
Immeuble Le Montreal, 19bis Avenue du Québec, ZA de Courtaboeuf
91140 Villebon sur Yvette - France
Tel. +33 1 60491816 - Fax +33 1 69284736
Email: info.fr@videotec.com

Americas Videotec Security, Inc.
Gateway Industrial Park, 35 Gateway Drive, Suite 100
Plattsburgh, NY 12901 - U.S.A.
Tel. +1 518 825 0020 - Fax +1 518 825 0022
Email: info.usa@videotec.com - www.videotec.us



www.videotec.com
MNVCHeg_1511_RU

Headquarters Italy Videotec S.p.A.

Via Friuli, 6 - I-36015 Schio (VI) - Italy

Tel. +39 0445 697411 - Fax +39 0445 697414

Email: info@videotec.com

Asia Pacific Videotec (HK) Ltd

Flat 8, 19/F. On Dak Industrial Building, No. 2-6 Wah Sing Street

Kwai Chung, New Territories - Hong Kong

Tel. +852 2333 0601 - Fax +852 2311 0026

Email: info.hk@videotec.com

France Videotec France SARL

Immeuble Le Montreal, 19bis Avenue du Québec, ZA de Courtaboeuf
91140 Villebon sur Yvette - France

Tel. +33 1 60491816 - Fax +33 1 69284736

Email: info.fr@videotec.com

Americas Videotec Security, Inc.

Gateway Industrial Park, 35 Gateway Drive, Suite 100
Plattsburgh, NY 12901 - U.S.A.

Tel. +1 518 825 0020 - Fax +1 518 825 0022

Email: info.usa@videotec.com - www.videotec.us



www.videotec.com

MNVCHG_1511