



by Schneider Electric

EH14 Series Enclosure Installation Manual



C3487M-A (2/14)

Contents

- Important Safety Instructions.....3
- Warranty.....3
- Description4
- Specifications5
- Camera Installation6
- Pelco Troubleshooting Contact Information8
- Bracket Installation (Optional)9
- Dimension Drawing9

Important Safety Instructions

1. Read these instructions.
2. Keep these instructions.
3. Heed all warnings.
4. Follow all instructions.
5. Only use attachments/accessories specified by the manufacturer.
6. Installation should be done only by qualified personnel and conform to all local codes.
7. Use only installation methods and materials capable of supporting four times the maximum specified load.
8. Use stainless steel hardware to fasten the mount to outdoor surfaces.
9. To prevent damage from water leakage when installing a mount outdoors on a roof or wall, apply sealant around the bolt holes between the mount and mounting surface.

CAUTION: These servicing instructions are for use by qualified service personnel only. To reduce the risk of electric shock do not perform any servicing other than that contained in the operating instructions unless you are qualified to do so.

Only use replacement parts recommended by Pelco.

After replacement/repair of this unit's electrical components, conduct a resistance measurement between the line and exposed parts to verify the exposed parts have not been connected to the line circuitry.

The product and/or manual may bear the following marks:



This symbol indicates that dangerous voltage constituting a risk of electric shock is present within this unit.

CAUTION: RISK OF ELECTRIC SHOCK. DO NOT OPEN.



This symbol indicates that there are important operating and maintenance instructions in the literature accompanying this unit

Warranty

For information about Pelco's product warranty and thereto related information, refer to www.pelco.com/warranty.

Description

The EH14 Series are indoor/outdoor light-duty camera enclosures designed for use with various Pelco and third-party cameras. Constructed of anti-UV and flame resistant polycarbonate plastic.

The lid of the enclosure is hinged to the side, providing easy access during installation and when camera and lens adjustments are necessary. All wiring and cabling is brought into the enclosure through adjustable glands at the lower-rear of the enclosure.

Some models provide 24VAC for camera power.

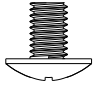

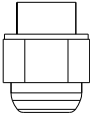
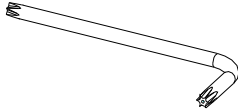

MODELS

EH14 Enclosure, indoor/outdoor, 400 mm(15.75-inch) lower body length with 100x86x353mm of internal space for payload, temp range of -40° to $+60^{\circ}\text{C}$ (-40° to 140°F).

EH14-2 Same as EH14 except unit is supplied with 24VAC camera power, 24VAC heater and defroster, 30W, and temp range of -40° to $+60^{\circ}\text{C}$ (-40° to 140°F).

EH14-3 Same as EH14 except unit is supplied with 24VAC camera power, 230VAC heater and defroster, 25W, and temp range of -40° to $+60^{\circ}\text{C}$ (-40° to 140°F).

Specifications

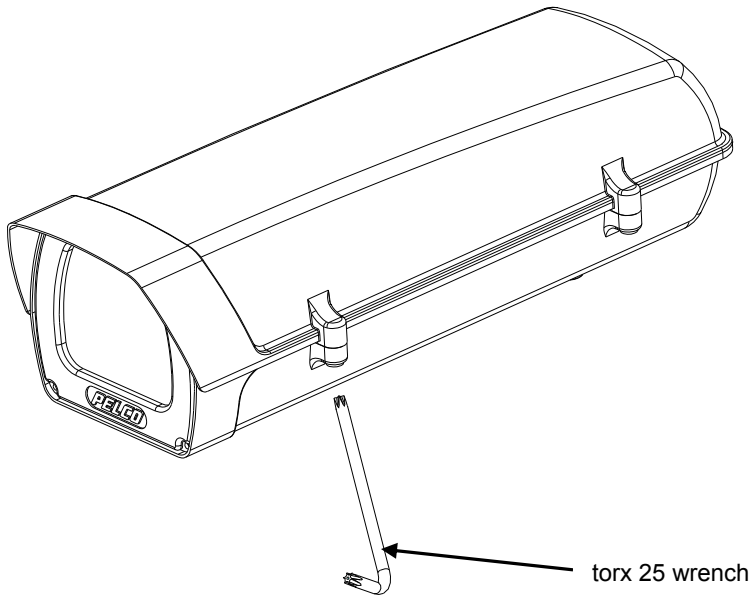
Model	EH14	EH14-2	EH14-3
Operating Condition	Indoor / Outdoor		
Constant Temperature	N/A	With blower / heater	With blower / heater
Input Voltage	12/24V ¹	24VAC ¹	230VAC
Output Port	N/A	24VAC camera power output port	24VAC camera power output port(≤8W)
Power	N/A	30W ²	25W ²
Operational Range	Temperature: -40° to +60°C (-40° to 140°F) Humidity: 0~95%	Temperature: -40° to +60°C (-40° to 140°F) Humidity: 0~95%	Temperature: -40° to +60°C (-40° to 140°F) Humidity: 0~95%
Temperature Controller Operating Temperature	N/A	Heater: 5°C ON 15°C OFF	Heater: 5°C ON 15°C OFF
Weight	1KG	1.1KG	1.35KG
Main Material	Body: Anti-UV flame retardant polycarbonate plastics Window: Glass		
IP Grade	IP66		
Accessory	 1/4-20UNC Screw (1PC).  Spring Washer (1PC)  PG11 Cable Glands (2PCS)  Wrench for Torx T25 (1PC)  Cable Tie		

Note 1: It is intended to be powered from a separate certified limited power source(LPS) power supply not to exceed 100VA

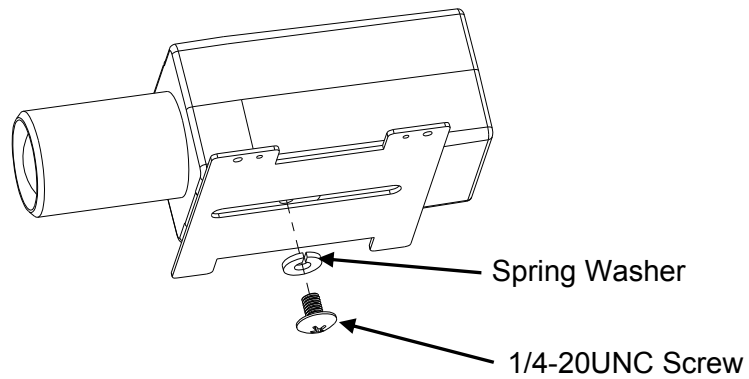
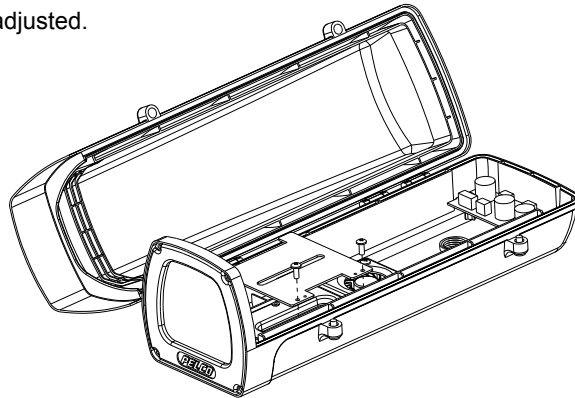
Note 2: Does include camera power

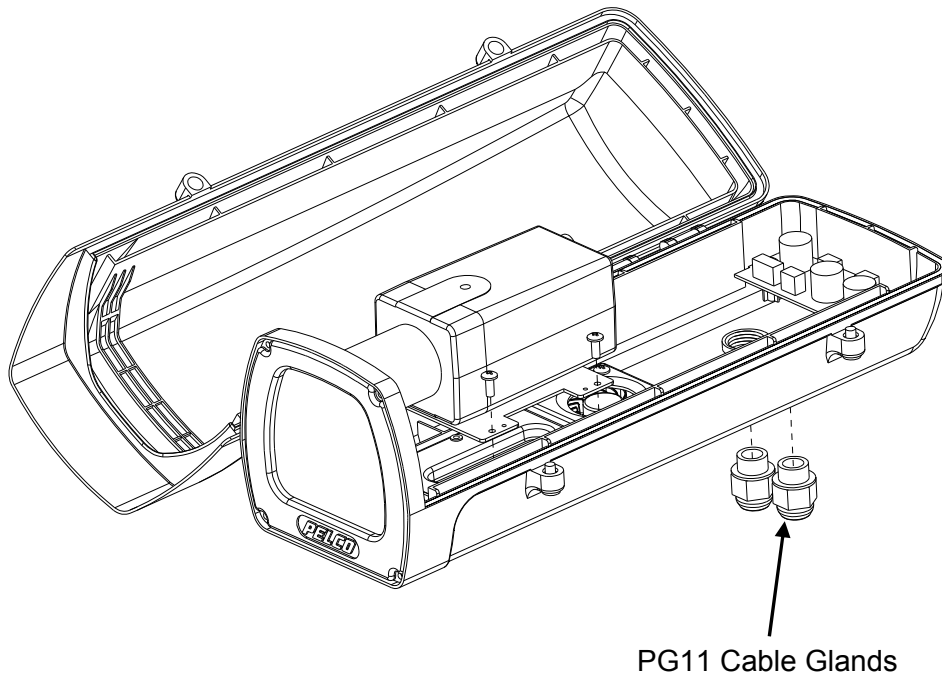
Camera Installation

- Use the torx T25 wrench to remove the two screws on the side of the housing to open the upper cover.

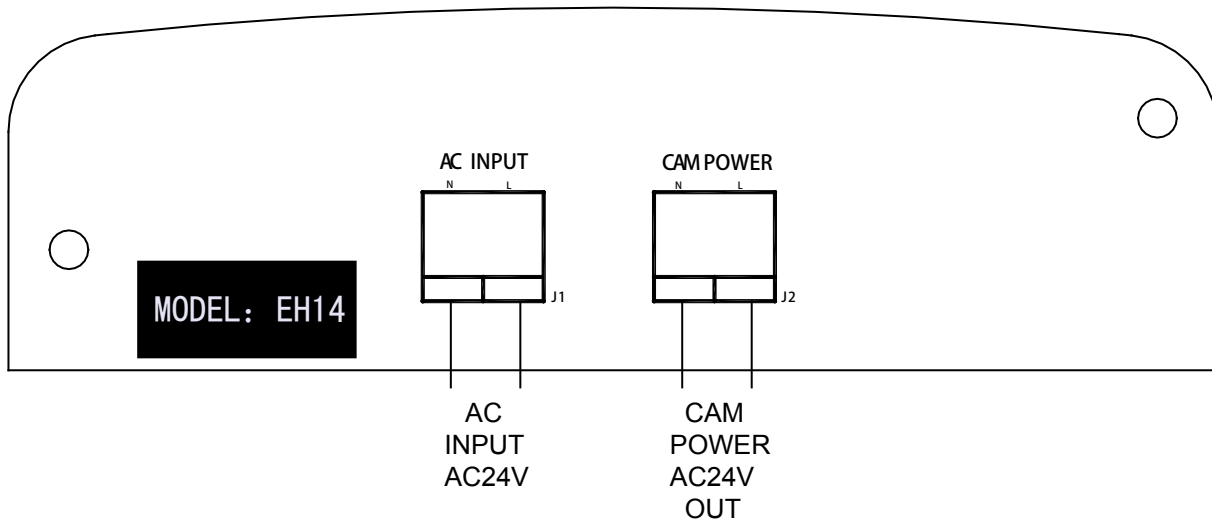


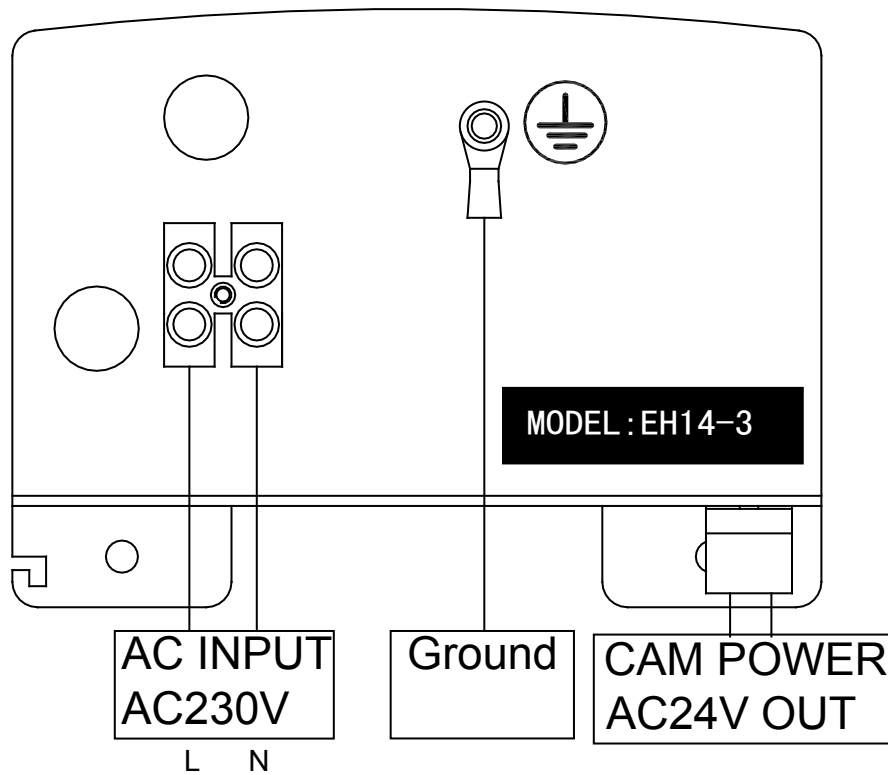
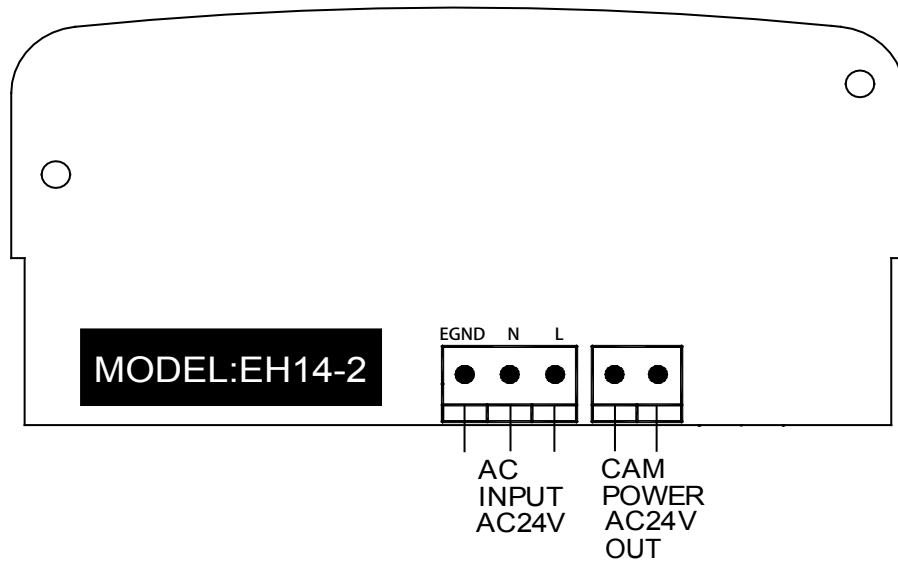
- Remove the camera plate. Install the camera on the plate and tighten screw.
The camera position can be adjusted.





- Connect with the power supply according to the diagrams below:





- Close the housing and tighten screw.

Pelco Troubleshooting Contact Information

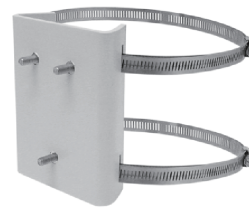
If the instructions provided fail to solve your problem, contact Pelco Product Support at 1-800-289-9100 (USA and Canada) or +1-559-292-1981 (international) for assistance. Be sure to have the serial number available when calling.

Do not try to repair the unit yourself. Leave maintenance and repairs to qualified technical personnel only.

Optional Mounting brackets



EM1450



PA101 pole mount adapter



EM1009



EM1015U

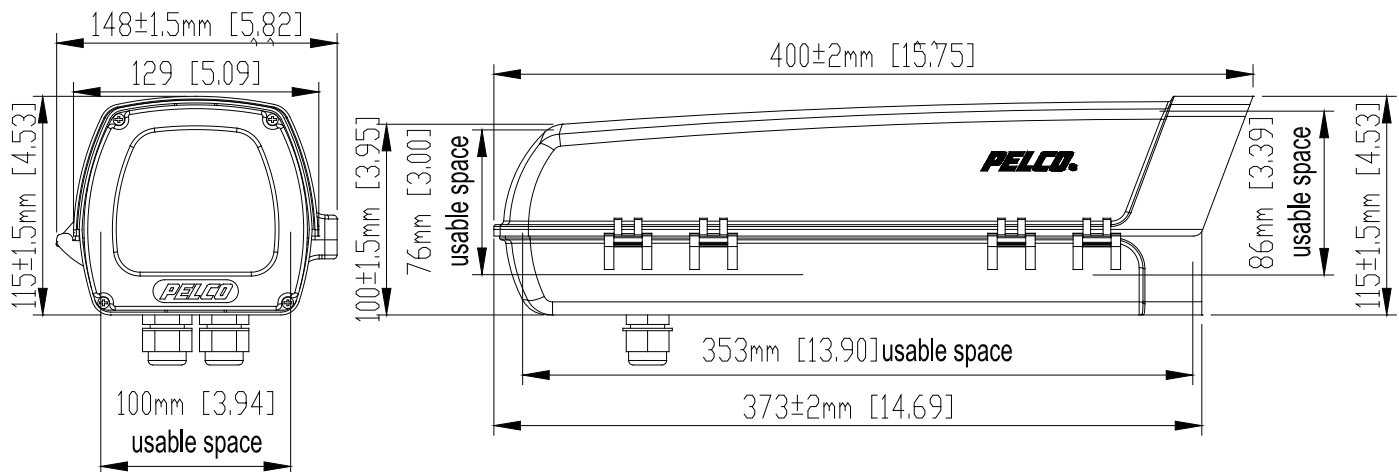


EM1900U

Dimension Drawing



NOTE: VALUES IN PARENTHESES ARE INCHES; ALL OTHERS ARE MILLIMETERS.



This equipment contains electrical or electronic components that must be recycled properly to comply with Directive 2002/96/EC of the European Union regarding the disposal of waste electrical and electronic equipment (WEEE). Contact your local dealer for procedures for recycling this equipment.

PELCO[™]

by **Schneider** Electric

Pelco by Schneider Electric 3500 Pelco Way Clovis, California 93612-5699 United States
USA & Canada Tel (800) 289-9100 Fax (800) 289-9150
International Tel +1 (559) 292-1981 Fax +1 (559) 348-1120
www.pelco.com www.pelco.com/community