



by Schneider Electric

INSTALLATION

WMVE Series Rugged Wall Mounts



C2253M-B (1/14)

Important Notices

IMPORTANT SAFETY INSTRUCTIONS

1. Read these instructions.
2. Keep these instructions.
3. Heed all warnings.
4. Follow all instructions.
5. Only use attachments/accessories specified by the manufacturer.
6. Installation should be done only by qualified personnel and conform to all local codes.
7. Use only installation methods and materials capable of supporting four times the maximum specified load.
8. Only use replacement parts recommended by Pelco.

WARRANTY STATEMENT

For information about Pelco's product warranty and thereto related information, refer to www.pelco.com/warranty.

Description

The WMVE-SR, WMVE-WT, and WMVE-SW are wall mounts that can be installed directly to a wall or any vertical surface. Power and video wiring can be easily routed through the back of the mounts or through the conduit access located on the bottom of the mount arms. The wall mounts can also be pole mounted using a PA101 pole mount adapter.

MODELS

- WMVE-SR Environmental light gray wall mount specifically designed for use with the IMEx19-1VP, IMEx19-1EP, IM-VEPM, IMPBB-EP, IE-P, and Camclosure® 2 Series pendant mounts.
- WMVE-WT White wall mount specifically designed for use with the ID-P indoor pendant mount.
- WMVE-SW White wall mount specifically designed for use with the IMEx19-1P and IMPBB-P indoor pendant mounts.

PARTS LIST

WMVE-SR/WMVE-WT

The following installation tools and parts are supplied:

Qty	Description
1	WMVE-SR or WMVE-WT wall mount
1	Tube of anti-seize lubricant
1	Wall mount gasket
1	Installation manual

WMVE-SW

The following installation tools and parts are supplied:

Qty	Description
1	WMVE-SW wall mount
1	1½-inch NPT to ¾-inch NPT adapter
1	¾-inch NPT nut
1	Tube of anti-seize lubricant
1	Wall mount gasket
1	Installation manual

USER SUPPLIED PARTS LIST

Qty	Description
1	Pendant mount
1	Wrench, 5/64-inch, hex Allen
2 to 4	Fasteners, 1/4-inch, of appropriate type based on installation

Installation

INSTALLING THE WALL MOUNT

STANDARD INSTALLATION

1. Using the wall mount as a template, mark the fastener positions on the mounting surface.
2. Prepare the mounting surface.
3. Install the wall mount gasket:
 - a. Remove the five foam pieces from the gasket.
 - b. Remove the backing paper from the gasket.
 - c. Align the holes in the gasket with the holes in the wall mount and attach the adhesive side of the gasket to the wall mount support.
4. Route the system power and video wiring through the wall mount.
5. Use a minimum of two 1/4-inch fasteners of appropriate type (not supplied) to secure the wall mount to the mounting surface.

NOTE: (*Outdoor installations only*) Seal the fastener holes with an appropriate sealant (not supplied) to prevent water damage. Be sure to apply the sealant between the mount and the mounting surface.

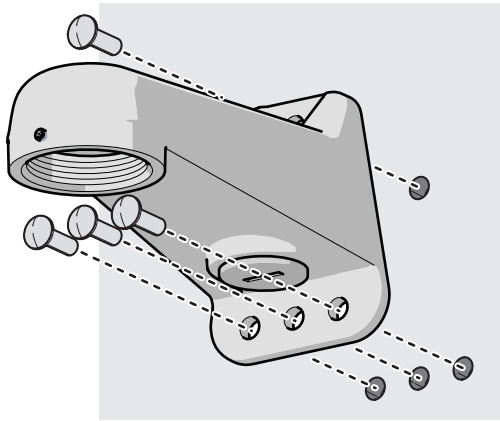


Figure 1. Installing the Wall Mount

CONDUIT INSTALLATION

1. Using the wall mount as a template, mark the fastener positions on the mounting surface.
2. Prepare the mounting surface.
3. Install the wall mount gasket:
 - a. Remove the five foam pieces from the gasket.
 - b. Remove the backing paper from the gasket.
 - c. Align the holes in the gasket with the holes in the wall mount and attach the adhesive side of the gasket to the wall mount support.

4. Remove the conduit cover from the bottom of the mount arm.
5. Thread a 3/4-inch or 25 mm conduit fitting (not supplied) into the conduit hole located at the bottom of the mount arm.
6. Route the wiring/cabling through the mount arm.
7. Use a minimum of two 1/4-inch fasteners of appropriate type (not supplied) to secure the wall mount to the mounting surface (refer to Figure 1).

NOTE: (*Outdoor installations only*) Seal the fastener holes with an appropriate sealant (not supplied) to prevent water damage. Be sure to apply the sealant between the mount and the mounting surface.

INSTALLING THE PENDANT MOUNT: WMVE-SR/WMVE-WT

1. Route the wiring through the pendant mount (not supplied).
2. Apply anti-seize lubricant (supplied) to the threads of the pendant mount.
3. Screw the pendant mount onto the mount arm.
4. Use a 5/64-inch hex Allen wrench (not supplied) to tighten the setscrew located on the front of the wall mount.

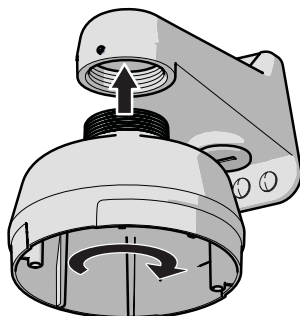


Figure 2. Installing the Pendant Mount: WMVE-SR/WMVE-WT

INSTALLING THE PENDANT MOUNT: WMVE-SW

1. Route the wiring through the 1½-inch NPT to 3/4-inch NPT pendant mount adapter (supplied).
2. Apply anti-seize lubricant (supplied) to the threads of the pendant mount adapter.
3. Screw the pendant mount adapter onto the mount arm.
4. Use a 5/64-inch hex Allen wrench (not supplied) to tighten the setscrew located on the front of the wall mount.
5. Route the wiring through the pendant mount (not supplied).
6. Insert the pendant mount adapter through the top of the pendant mount, and secure in place by tightening the 3/4-inch NPT nut (supplied).

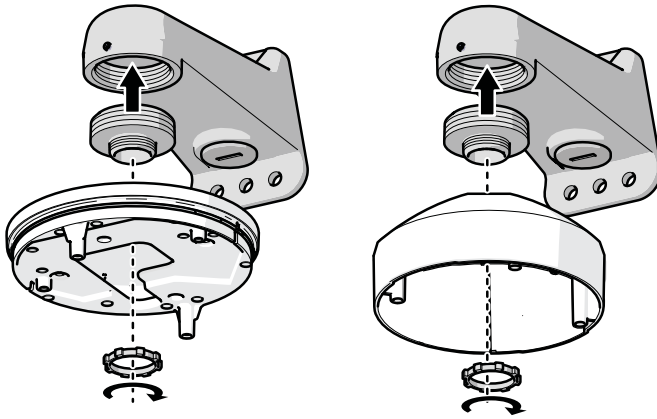


Figure 3. Installing the Pendant Mount: WMVE-SW

Specifications

MECHANICAL

Mounting Method

Secure with 1/4-inch fasteners of appropriate type (not supplied); up to 4 fasteners can be used.

Cable Entry

Through the back of the mount and one 3/4-inch or 25 mm conduit access on the bottom of the mount.

GENERAL

Construction

Aluminum

Finish

WMVE-SR

Light gray polyester powder coat

WMVE-WT, WMVE-SW

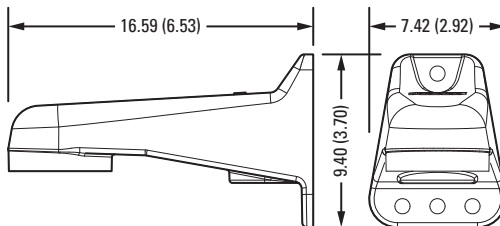
White polyester powder coat

Unit Weight

0.45 kg (1.00 lb)



NOTE: VALUES IN PARENTHESES ARE INCHES; ALL OTHERS ARE CENTIMETERS.





This equipment contains electrical or electronic components that must be recycled properly to comply with Directive 2002/96/EC of the European Union regarding the disposal of waste electrical and electronic equipment (WEEE). Contact your local dealer for procedures for recycling this equipment.

REVISION HISTORY

Manual #	Date	Comments
C2253M	1/11	Original version.
C2253M-A	7/13	Added model WMVE-SW, 1½-inch NPT to 3/4-inch NPT adapter, and 3/4-inch NPT nut. Removed Product Warranty and Return Information; replaced with Warranty Statement.
C2253M-B	1/14	Added gasket assembly procedure.

PELCO

by **Schneider** Electric

Pelco by Schneider Electric 3500 Pelco Way Clovis, California 93612-5699 United States
USA & Canada Tel (800) 289-9100 Fax (800) 289-9150
International Tel +1 (559) 292-1981 Fax +1 (559) 348-1120
www.pelco.com www.pelco.com/community