

PMCL Series Mounts

WALL/CEILING/RACK MOUNTS, MONITORS

Product Features

- Articulating Arm Wall Mount
- Fixed and Tilt Wall Mount for 300/400/500 Series Monitors
- VESA-Compliant Wall and Ceiling Mounts
- Rack Mounts for 300 and 400 Series LCD Monitors
- Can Be Used with Pelco Series LCD Monitors
- Unique Tilt/Swivel Head Design Ensures Optimum Viewing Angle
- Easy to Install
- Aluminum or Steel Construction
- For Indoor Applications Only



PMCL-WM1A ARTICULATING ARM WALL MOUNT AND PMCL SERIES MONITOR

Pelco's family of monitor mounts has been designed for use with VESA®-compliant monitors. Mounts for the **PMCL 300/400/500 Series** monitors include several wall and ceiling mounts. Three rack mounts are available for 300/400/500 Series monitors. Many of the mounts feature a unique tilt/swivel capability, which allows an LCD monitor to be swiveled 360 degrees for portrait or landscape viewing and tilted 35 degrees up or down. This tilt/swivel quality ensures the proper viewing angle in any application. Made from heavy-duty aluminum, these mounts are designed to support up to 90 pounds in any indoor installation.

The **PMCL-WM** and **PMCL-WMT** are two-piece wall mounts. One piece attaches to the rear of any monitor, and the other piece fastens to a wall. The monitor then slides into the V-shaped piece on the wall, making installation quick and easy. A setscrew secures the two sections together. The **PMCLNBWMF** flat wall mount, **PMCLNBWMT** tilt/swivel mount, and **PMCLNBWMS** articulating arm wall mounts are designed for use with the LCD monitors. All of these mounts support a minimum mounting pattern of 200 x 200 mm and a weight capacity of 79.38 kg (175 lb).

The **PMCL-WM1A** is an articulating arm wall mount that is equipped with convenient tilt/swivel articulating arms for greater viewing flexibility. The **PMCL-WM1A** is designed for use with the 300/400 Series LCD, **PMCL524BL**, and **PMCL532BL** monitors. The **PMCLNBWMS** is a scissor-style articulating arm wall mount

offering 10 degrees of tilt. The **PMCLNBWMS** is designed for use with the **PMCL532BL**, **PMCL542BL**, **PMCL546BL**, and **PMCL555BL** monitors.

The tilt/swivel **PMCL-CMP** allows an LCD monitor to be mounted from the ceiling. It is equipped with an adjustable 15- to 30-inch (38 to 76 cm) telescoping pole. The **PMCL-CM** is a similar ceiling mount that does not include a pole. This mount allows a customer to purchase any length of 1.5-inch NPT threaded pipe for use in applications with higher ceilings. Both of these ceiling mounts can also be used with Pelco's MRCA ceiling mount.

The **PMCL-V200** is an adapter plate that attaches to the **PMCL-WM**, **PMCL-WMT**, **PMCL-WM1A**, **PMCL-CM**, and **PMCL-CMP**. This adapter plate allows the mounts to be used with the **PMCL532BL** larger format monitor. It also accommodates monitors with 200 x 200 mm hole patterns.

There are two rack mount kits for installing monitors in standard 19-inch (48 cm) equipment racks: the **PMCL-17ARM** and **PMCL-19ARM**, which accommodate the 17-inch (43 cm) and 19-inch (48 cm) monitors, respectively. These mounts allow the monitor to tilt up or down for optimum viewing.



by Schneider Electric

International Standards
Organization Registered Firm;
ISO 9001 Quality System



C2219 / REVISED 6-10-15

TECHNICAL SPECIFICATIONS

WALL MOUNTS

MODELS

PMCL-WM	Fixed wall mount
PMCL-WMT	Tilt/swivel wall mount
PMCL-WM1A	Tilt/swivel articulating arm wall mount
PMCLNBWMF	Flat wall mount for 32-inch or larger monitors
PMCLNBWMT	Tilt mount for 32-inch or larger monitors
PMCLNBWMS	Scissor-style articulating arm wall mount for 32-inch or larger monitors

MECHANICAL

Swivel Adjustment	
PMCL-WMT, PMCL-WM1A	360°
PMCLNBWMS	45°
Tilt Adjustment	
PMCL-WMT, PMCL-WM1A	35°
PMCLNBWMT, PMCLNBWMS	10°

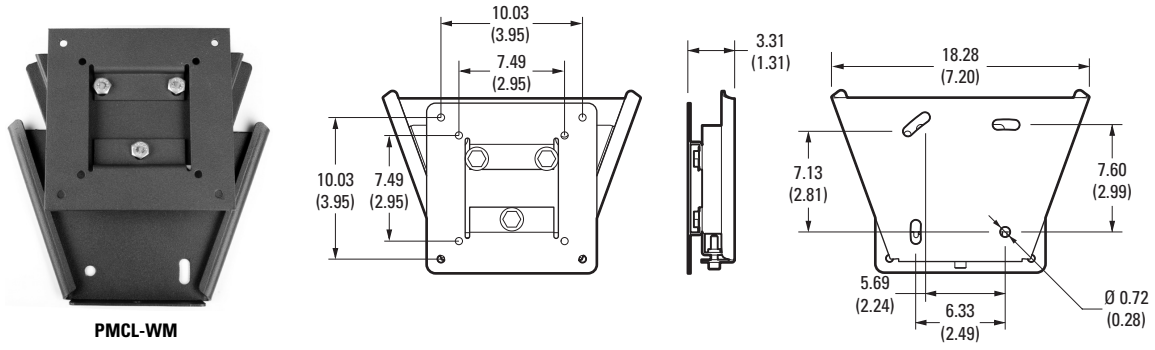
CERTIFICATIONS

UL/cUL Listed	PMCL-WMT, PMCL-WM1A, PMCLNBWMT, PMCLNBWMF, and PMCLNBWMS only
---------------	--

GENERAL

Suggested Mounting Method	PMCL-WM, PMCL-WMT	Mounting hardware is not supplied. Secure to solid surface with four 1/4-inch diameter x 2-inch wedge anchors. In applications where wall studs are encountered, use four 1/4-inch diameter x 2-inch lag bolts or two lag bolts and two 1/4-inch diameter x 2-inch toggle bolts.
	PMCL-WM1A	Secure to solid surface with three 5/16-inch diameter x 2-inch wedge anchors or use three 5/16-inch diameter x 2-inch lag bolts in applications where wall studs are encountered.
	PMCLNBWMF, PMCLNBWMT	Secure to wall studs with a minimum of four lag bolts. Two wall studs are required for mounting. Use a minimum of two lag bolts for each wall stud.
	PMCLNBWMS	Secure to wall studs with a minimum of four 5/16-inch diameter x 3-inch lag bolts. Use a flat washer for each lag bolt. Two wall studs are required for mounting. Use a minimum of two lag bolts for each wall stud. It is recommended that two people be involved in installing this mount.
Maximum Load	PMCL-WM	15.88 kg (35.00 lb)
	PMCL-WMT, PMCL-WM1A	40.82 kg (90.00 lb)
	PMCLNBWMF, PMCLNBWMT, PMCLNBWMS	79.38 kg (175.00 lb)
Construction	PMCL-WM, PMCL-WMT, PMCL-WM1A	Aluminum
	PMCLNBWMF, PMCLNBWMT, PMCLNBWMS	Steel
Finish		Black polyester powder coat
Weight	Unit	Shipping
	PMCL-WM	0.73 kg (1.60 lb) 1.36 kg (3.0 lb)
	PMCL-WMT	1.38 kg (3.05 lb) 2.72 kg (6.0 lb)
	PMCL-WM1A	1.61 kg (3.55 lb) 2.72 kg (6.0 lb)
	PMCLNBWMF	5.44 kg (12.00 lb) 7.03 kg (15.5 lb)
	PMCLNBWMT	6.80 kg (15.00 lb) 8.62 kg (19.0 lb)
	PMCLNBWMS	18.14 kg (40.00 lb) 19.05 kg (42.0 lb)

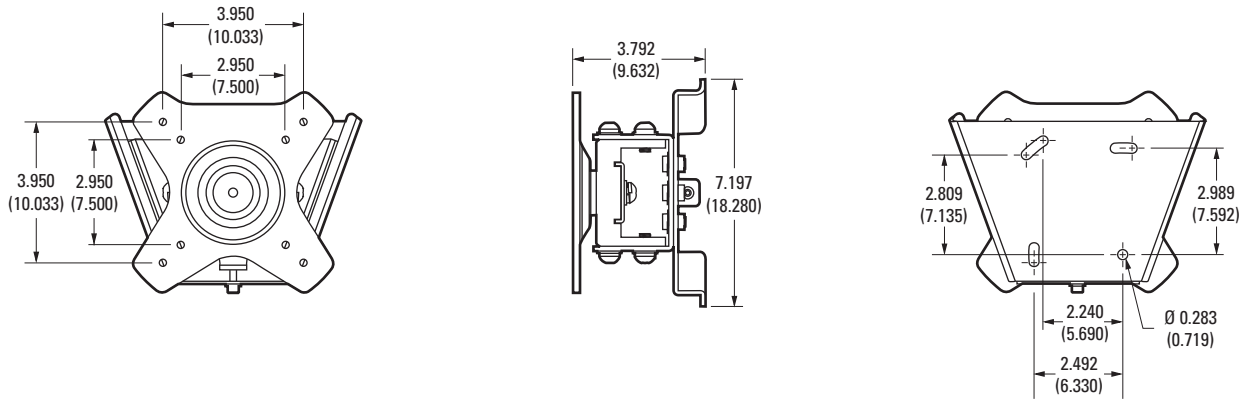
TECHNICAL SPECIFICATIONS



PMCL-WM



PMCL-WMT

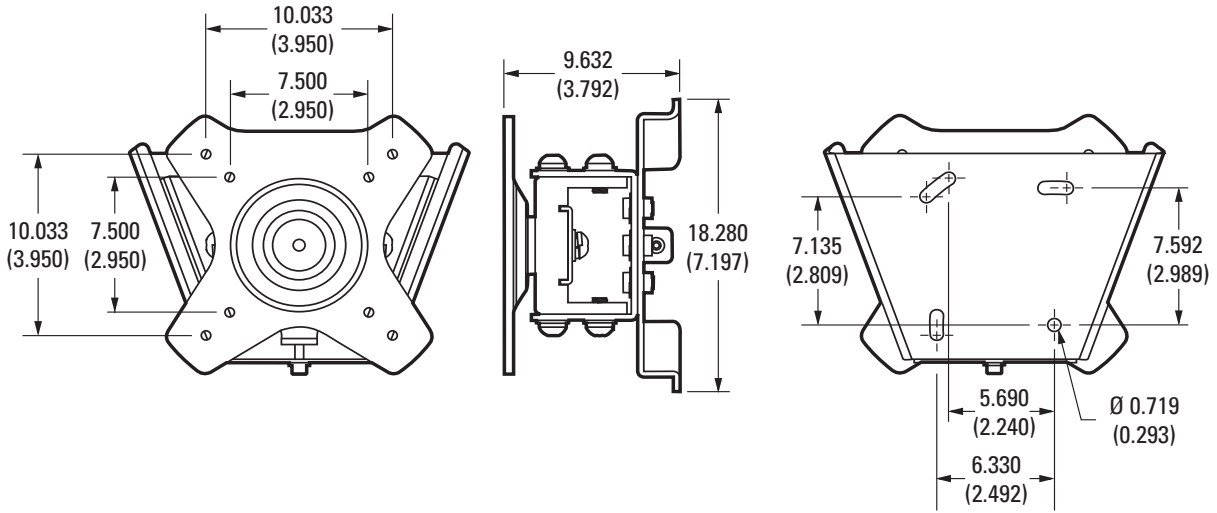


NOTE: VALUES IN PARENTHESES ARE INCHES; ALL OTHERS ARE CENTIMETERS.

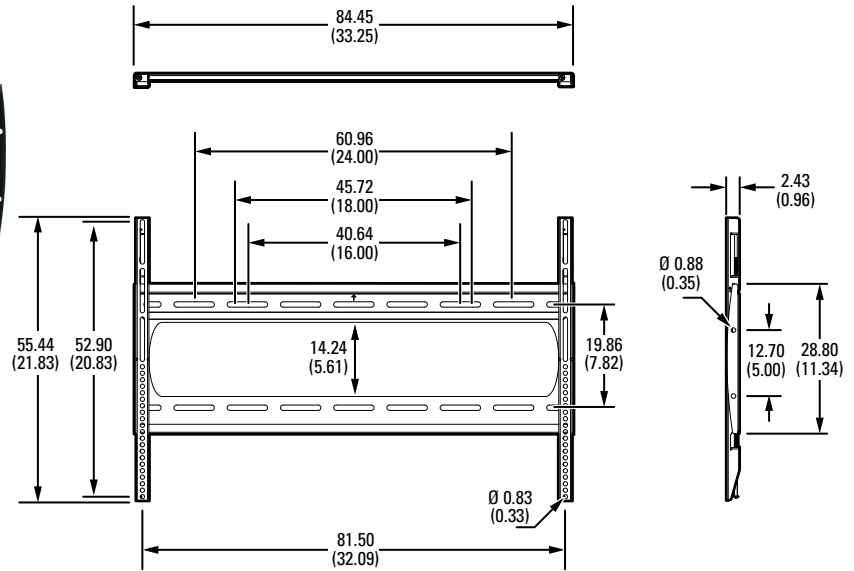
TECHNICAL SPECIFICATIONS



PMCL-WM1A



PMCLNBWMF

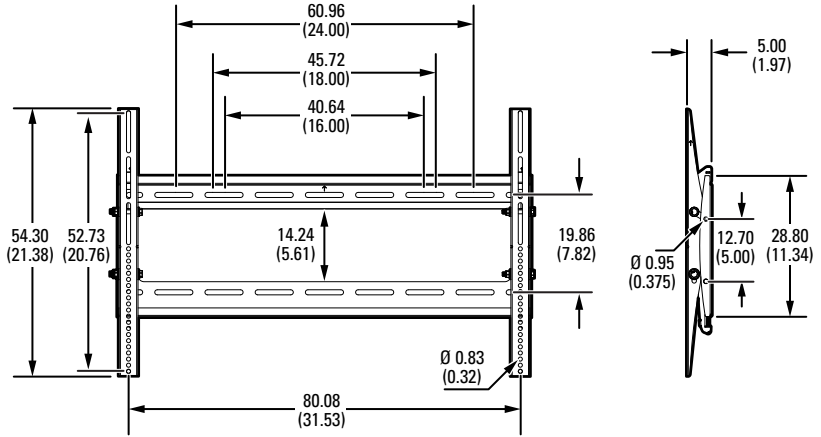
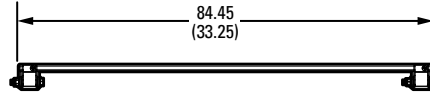
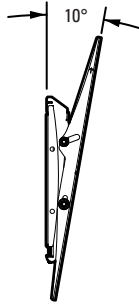


NOTE: VALUES IN PARENTHESES ARE INCHES; ALL OTHERS ARE CENTIMETERS.

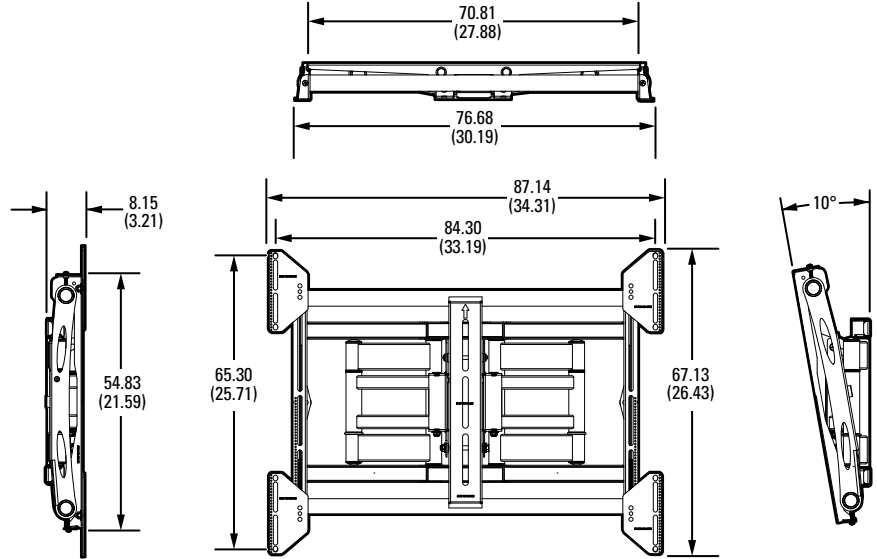
TECHNICAL SPECIFICATIONS



PMCLNBWMT



PMCLNBWMS



NOTE: VALUES IN PARENTHESES ARE INCHES; ALL OTHERS ARE CENTIMETERS.

TECHNICAL SPECIFICATIONS

CEILING MOUNTS

MODELS

PMCL-CM	Ceiling mount and VESA head for LCD monitors
PMCL-CMP	Ceiling mount and VESA head with telescoping pole for LCD monitors

MECHANICAL

Swivel Adjustment	360°
Tilt Adjustment	90°

GENERAL

Suggested Mounting Method

Wood Beam	2, 1/4 x 2 in. wood screws (not supplied)	
Metal I-Beam	4, 1/4-20 x 1 in. machine screws (not supplied)	
Concrete	4, 1/4 x 1.75 in. concrete wedge anchors (not supplied)	
Maximum Load	40.82 kg (90 lb)	
Construction	Aluminum	
Finish	Black polyester powder coat	
Weight	Unit	Shipping
PMCL-CM	1.22 kg (2.70 lb)	2.27 kg (5.00 lb)
PMCL-CMP	2.29 kg (5.05 lb)	3.63 kg (8.00 lb)

CERTIFICATIONS

- UL/cUL Listed

RACK MOUNTS

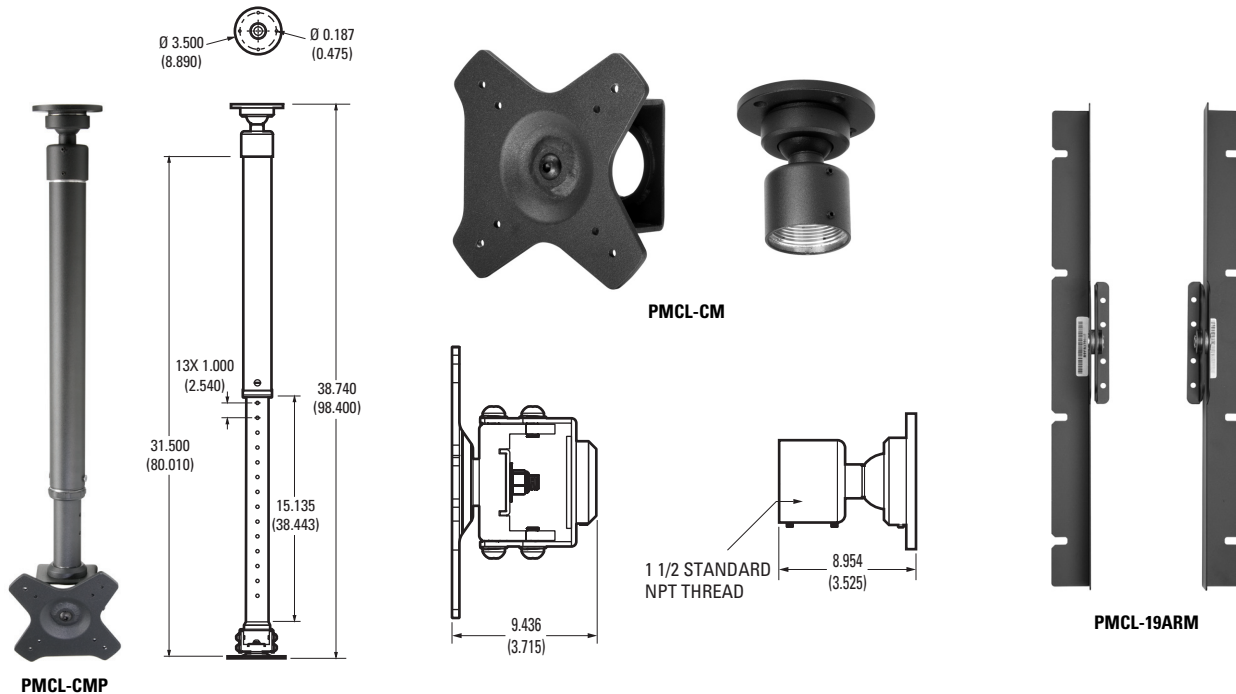
MODELS

PMCL-17ARM	Kit for mounting a 17 in. (43 cm) monitor in a 48 cm (19 in.) equipment rack
PMCL-19ARM	Kit for mounting a 48 cm (19 in.) monitor in a 48 cm (19 in.) equipment rack

Note: The kits include two brackets, eight M4X0.7 screws, and one installation manual.

GENERAL

Construction	Mild steel
Finish	Black polyester powder coat
Dimensions	
PMCL-17ARM	4.96 x 48.00 x 35.33 cm (1.95" D x 18.90" W x 13.91" H)
PMCL-19ARM	4.96 x 48.00 x 39.79 cm (1.95" D x 18.90" W x 15.67" H)
Unit Weight	0.50 kg (1.10 lb)
Shipping Weight	Consult the factory



NOTE: VALUES IN PARENTHESES ARE INCHES; ALL OTHERS ARE CENTIMETERS.

TECHNICAL SPECIFICATIONS

ADAPTER

MODEL

PMCL-V200

Converts 200 x 200 mm to 100 x 100 mm VESA pattern. (Required for use with the PMCL532BL and Pelco monitor mounts with 200 x 200 mm VESA pattern.)

GENERAL

Suggested Mounting Method

PMCL-V200

Secure to PMCL mount using 10-32 x 0.75-inch Phillips screws (supplied)

Construction

PMCL-V200

Aluminum

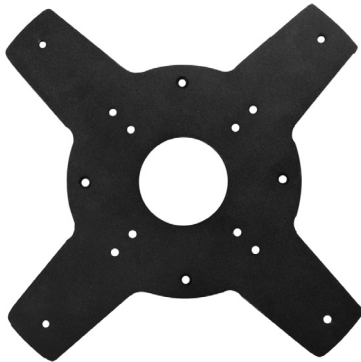
Finish

Black polyester powder coat

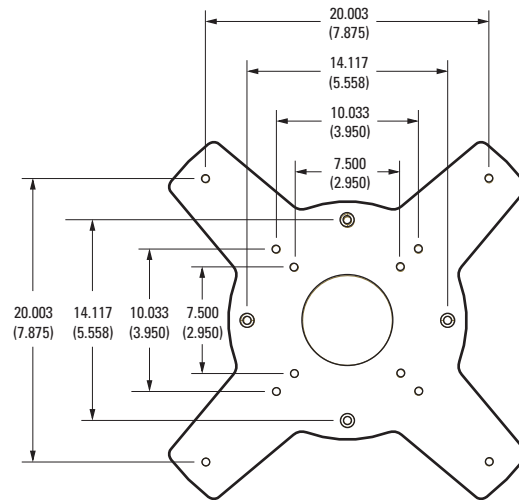
Weight

PMCL-V200

Unit	Shipping
1.00 lb (0.45 kg)	3.00 lb (1.36 kg)



PMCL-V200



NOTE: VALUES IN PARENTHESES ARE INCHES; ALL OTHERS ARE CENTIMETERS.

LCD MOUNT SELECTION GUIDE

Model	Description	Compatible Monitors								
		PMCL317B	PMCL319BL	PMCL417HB	PMCL419HB	PMCL524FL	PMCL532BL	PMCL542BL	PMCL546BL	PMCL555BL
PMCL-WM	Fixed Wall Mount	•	•	•	•	•	•*			
PMCL-WMT	Tilt/Swivel Wall Mount	•	•	•	•	•	•*			
PMCL-WM1A	Tilt/Swivel Articulating Arm Wall Mount	•	•	•	•	•	•*			
PMCL-CM	Ceiling Mount	•	•	•	•	•	•*			
PMCL-CMP	Ceiling Mount with Pole	•	•	•	•	•	•*			
PMCL-17ARM	17-inch Monitor Rack Mount	•		•						
PMCL-19ARM	19-inch Monitor Rack Mount		•		•					
PMCL-V200	200 x 200 mm Adapter Plate						•			
PMCLNBWMF	Flat Wall Mount						•	•	•	•
PMCLNBWMT	Tilt Wall Mount						•	•	•	•
PMCLNBWMS	Scissor-style Articulating Arm Wall Mount						•	•	•	•

*PMCL-V200 adapter plate needed.