



by **Schneider** Electric

I N S T A L L A T I O N

Esprit® Series Mounts EWM, EPM, ECM100, EPP



Wall, Pole, Corner, and Pedestal

C225M-D (4/10)

Important Safety Instructions

1. Installation and servicing should only be done by qualified service personnel and conform to all local codes.
2. Use only installation methods and materials capable of supporting four times the maximum specified load.
3. Use stainless steel hardware to fasten the mount to outdoor surfaces.
4. To prevent damage from water leakage when installing a mount outdoors on a roof or wall, apply sealant around the bolt holes between the mount and mounting surface.

Description

This manual contains the installation instructions for the following Esprit® mounts:

NOTE: Esprit mounts do not ship with conduit fittings or mounting hardware, unless noted otherwise.

EWM Wall Mount: Use to mount an Esprit system directly to a vertical load bearing surface.

Qty Description

- 1 Wall mount
- 1 Conduit plate
- 1 Gasket
- 3 10-32 x 3/4-inch Philips flat head screws
- 2 Sealing glands

EPM Pole Mount: Use with EWM to mount an Esprit system to a pole.

Qty Description

- 1 Pole mount
- 3 Stainless steel straps
- 4 3/8-inch flat washers
- 4 5/16-18 nuts
- 4 5/16-inch lock washers

ECM100 Corner Mount: Use with EWM to mount an Esprit system to a building corner.

Qty Description

- 1 Corner mount
- 1 Corner mount with 5/16-18 x 1.25-inch studs
- 4 3/8-inch flat washers
- 4 5/16-18 nuts
- 4 5/16-inch lock washers

EPP Pedestal Adapter: Use to mount an Esprit system directly to a pedestal mount; includes pedestal adapter only.

Installation

NOTE: Before installing any mount or Esprit system, refer to *Video and Power Cable Wiring Distances* on page 5.

EWM ESPRIT WALL MOUNT

1. Remove one or both knockouts from the conduit plate.

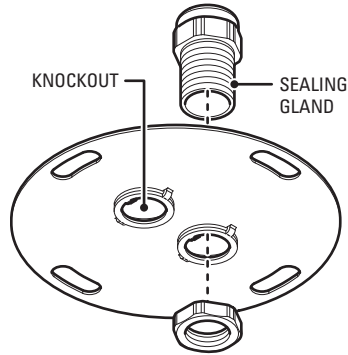


Figure 1. Conduit Plate Knockouts and Sealing Glands

2. Using the plate as a template, mark the conduit and fastener positions on the mounting surface.
3. Prepare the mounting surface.
4. Install conduit fittings (not supplied) or sealing glands (supplied) in the conduit plate (refer to Figure 1).
5. Attach the gasket (supplied) to the end of the EWM mount.

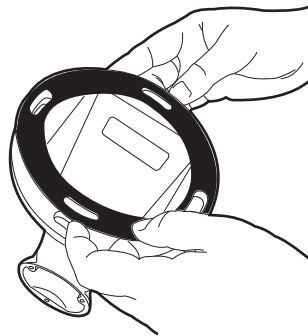


Figure 2. Attaching the Gasket to the EWM

6. Thread the wiring/cabling through the conduit plate/sealing glands and the EWM mount.
7. Use mounting hardware (not supplied) to secure the EWM to the mounting surface.
8. Refer to the manual supplied with the Esprit system to complete the installation.

EPM ESPRIT POLE MOUNT

1. Thread the wiring/cabling through the hole in the EPM mount.
2. Attach the mount to the pole with three stainless steel straps (supplied).
3. Remove one or both knockouts from the conduit plate (supplied with the EWM) (refer to Figure 1 on page 3).
4. Install conduit fittings (not supplied) or sealing glands (supplied with the EWM) in the conduit plate (refer to Figure 1 on page 3).
5. Attach the gasket (supplied with the EWM) to the end of the EWM mount (refer to Figure 2 on page 3).
6. Thread the wiring/cabling through the conduit plate/sealing glands and the EWM mount.
7. Use nuts, lock washers, and flat washers (supplied) to secure the EWM and the conduit plate to the EPM mount.

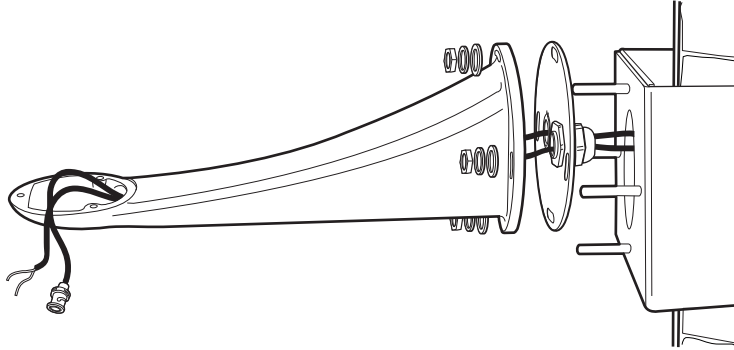


Figure 3. Securing the EWM to the EPM or ECM100

8. Refer to the manual supplied with the Esprit system to complete the installation.

ECM100 ESPRIT CORNER MOUNT

1. Using the ECM100 mount as a template, mark the fastener positions on the mounting surface.
2. Prepare the mounting surface.
3. Thread the wiring/cabling through the hole in the mount.
4. Use mounting hardware (not supplied) to secure the ECM100 to the mounting surface.
5. Remove one or both knockouts from the conduit plate (supplied with the EWM) (refer to Figure 1 on page 3).
6. Install conduit fittings or sealing glands (supplied with the EWM) in the conduit plate (refer to Figure 1 on page 3).
7. Attach the gasket (supplied with the EWM) to the end of the EWM mount (refer to Figure 2 on page 3).
8. Thread the wiring/cabling through the conduit plate/sealing glands and the EWM wall mount.
9. Use nuts, lock washers, and flat washers (supplied) to secure the EWM and the conduit plate to the ECM100 mount (refer to Figure 3).
10. Refer to the manual supplied with the Esprit system to complete the installation.

EPP ESPRIT PEDESTAL ADAPTER

1. Thread the wiring/cabling through the pedestal mount and the EPP pedestal adapter.
2. Use mounting hardware (not supplied) to secure the EPP to the pedestal adapter.
3. Complete the Esprit system installation following the instructions supplied with the equipment.

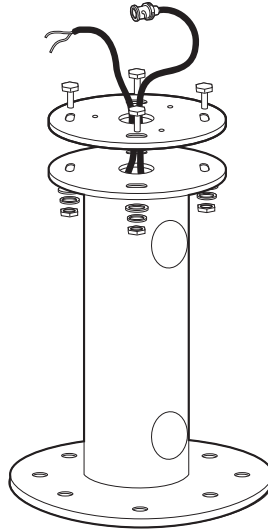


Figure 4. Attaching the EPP to a Pedestal Mount

VIDEO AND POWER CABLE WIRING DISTANCES

Table A lists the maximum video coaxial cable distances. Before installing any mount, make sure the distance from the Esprit to the head end is less than the maximum distance for the coaxial cable.

Table A. Video Coaxial Cable Requirements

Cable Type*	Maximum Distance
RG59/U	750 ft (229 m)
RG6/U	1,000 ft (305 m)
RG11/U	1,500 ft (457 m)

*Cable requirements:
 75-ohm impedance
 All-copper center conductor
 All-copper braided shield with 95 percent braid coverage

Table B lists the recommended maximum distances for 24 VAC applications and are calculated with a 10 percent voltage drop. (Ten percent is generally the maximum allowable voltage drop for AC-powered devices.)

Table B. Wiring Distances (24 VAC)

Wire Gauge	20 (0.5 mm ²)	18 (1.0 mm ²)	16 (1.5 mm ²)	14 (2.5 mm ²)	12 (4.0 mm ²)	10 (6.0 mm ²)
Maximum Distance	40 (12)	64 (19)	102 (31)	163 (49)	258 (78)	411 (125)

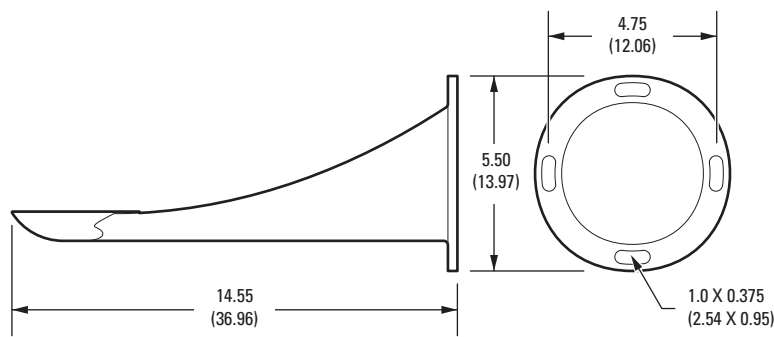
NOTES:

- Maximum power consumption for Esprit systems is 70 VA. Use a power source with a minimum of 100 VA.
- Wire gauges are standard AWG and metric sizes. Distances are calculated in feet; values in parentheses are meters.

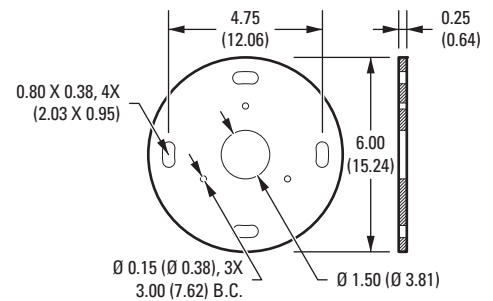
Specifications

Construction	Aluminum
Finish	Gray polyester powder coat
Maximum Load	
EWM	30 lb (13.6 kg)
EPM	100 lb (45.4 kg)
ECM100	75 lb (34.0 kg)
EPP	Not applicable
Weight	
EWM	1.5 lb (0.7 kg)
EPM	2.2 lb (1.0 kg)
ECM100	3.0 lb (1.4 kg)
EPP	0.6 lb (0.3 kg)

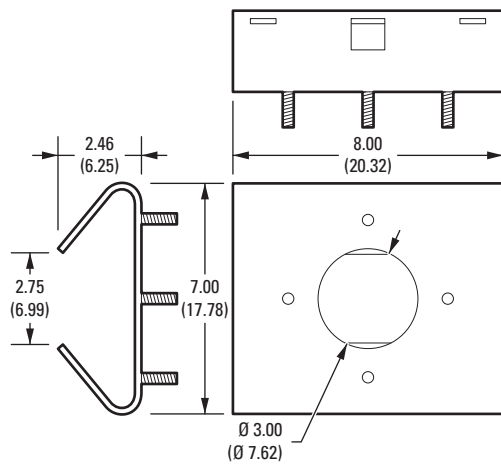
(Design and product specifications subject to change without notice.)



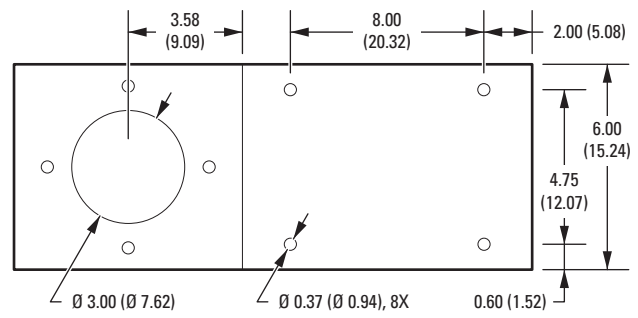
EWM



EPP



EPM



ECM100

NOTE: VALUES IN PARENTHESES ARE CENTIMETERS; ALL OTHERS ARE INCHES

PRODUCT WARRANTY AND RETURN INFORMATION

WARRANTY

Pelco will repair or replace, without charge, any merchandise proved defective in material or workmanship **for a period of one year** after the date of shipment.

Exceptions to this warranty are as noted below:

- Five years:
 - Fiber optic products
 - Unshielded Twisted Pair (UTP) transmission products
 - CC3701H-2, CC3701H-2X, CC3751H-2, CC3651H-2X, MC3651H-2, and MC3651H-2X camera models
- Three years:
 - Pelco-designed fixed network cameras and network dome cameras with Sarix™ technology.
 - Pelco-branded fixed camera models (CCC1390H Series, C10DN Series, C10CH Series, and IP3701H Series)
 - EH1500 Series enclosures
 - Spectra® IV products (including Spectra IV IP)
 - Camclosure® Series (IS, ICS, IP) integrated camera systems
 - DX Series digital video recorders (except DX9000 Series which is covered for a period of one year), DVR5100 Series digital video recorders, Digital Sentry® Series hardware products, DVX Series digital video recorders, and NVR300 Series network video recorders
 - Endura® Series distributed network-based video products
 - Genex® Series products (multiplexers, server, and keyboard)
 - PMCL200/300/400 Series LCD monitors
 - PMCL5xx Series FHD monitors
- Two years:
 - Standard varifocal, fixed focal, and motorized zoom lenses
 - DF5/DF8 Series fixed dome products
 - Legacy® Series integrated positioning systems
 - Spectra III™, Spectra Mini, Spectra Mini IP, Esprit®, ExSite®, and PS20 scanners, including when used in continuous motion applications.
 - Esprit Ti and TI2500 Series thermal imaging products
 - Esprit and WW5700 Series window wiper (excluding wiper blades).
 - CM6700/CM6800/CM9700 Series matrix
 - Digital Light Processing (DLP®) displays (except lamp and color wheel). The lamp and color wheel will be covered for a period of 90 days. The air filter is not covered under warranty.
 - Intelli-M® eIDC controllers
- One year:
 - Video cassette recorders (VCRs), except video heads. Video heads will be covered for a period of six months.

- Six months:
 - All pan and tilts, scanners, or preset lenses used in continuous motion applications (preset scan, tour, and auto scan modes).

Pelco will warrant all replacement parts and repairs for 90 days from the date of Pelco shipment. All goods requiring warranty repair shall be sent freight prepaid to a Pelco designated location. Repairs made necessary by reason of misuse, alteration, normal wear, or accident are not covered under this warranty.

Pelco assumes no risk and shall be subject to no liability for damages or loss resulting from the specific use or application made of the Products. Pelco's liability for any claim, whether based on breach of contract, negligence, infringement of any rights of any party or product liability, relating to the Products shall not exceed the price paid by the Dealer to Pelco for such Products. In no event will Pelco be liable for any special, incidental, or consequential damages (including loss of use, loss of profit, and claims of third parties) however caused, whether by the negligence of Pelco or otherwise.

The above warranty provides the Dealer with specific legal rights. The Dealer may also have additional rights, which are subject to variation from state to state.

If a warranty repair is required, the Dealer must contact Pelco at (800) 289-9100 or (559) 292-1981 to obtain a Repair Authorization number (RA), and provide the following information:

1. Model and serial number
2. Date of shipment, P.O. number, sales order number, or Pelco invoice number
3. Details of the defect or problem

If there is a dispute regarding the warranty of a product that does not fall under the warranty conditions stated above, please include a written explanation with the product when returned.

Method of return shipment shall be the same or equal to the method by which the item was received by Pelco.

RETURNS

To expedite parts returned for repair or credit, please call Pelco at (800) 289-9100 or (559) 292-1981 to obtain an authorization number (CA number if returned for credit, and RA number if returned for repair) and designated return location.

All merchandise returned for credit may be subject to a 20 percent restocking and refurbishing charge.

Goods returned for repair or credit should be clearly identified with the assigned CA or RA number and freight should be prepaid.

2-10-10

 The materials used in the manufacture of this document and its components are compliant to the requirements of Directive 2002/95/EC.



This equipment contains electrical or electronic components that must be recycled properly to comply with Directive 2002/96/EC of the European Union regarding the disposal of waste electrical and electronic equipment (WEEE). Contact your local dealer for procedures for recycling this equipment.

REVISION HISTORY

Manual #	Date	Comments
C225M	1/99	Original version.
C225M-A	5/00	Added installation instructions for the EWM wall mount, ECM100 corner mount, and the EPA pedestal adapter.
C225M-B	12/00	Added installation instructions for EPP pedestal adapter. Removed references to EPA.
C225M-C	11/04	EWM weight revised due to die-cast manufacturing per ECO #04-9958. Layout updated.
C225M-D	4/10	Updated layout, revised from a 4-page document to an 8-page document, and added new corporate information.

Pelco, the Pelco logo, Camclosure, Digital Sentry, Endura, Esprit, ExSite, Genex, Intelli-M, Legacy, and Spectra are registered trademarks of Pelco, Inc. Sarix and Spectra III are trademarks of Pelco, Inc. DLP is a registered trademark of Texas Instruments Incorporated. All product names and services identified throughout this document are trademarks or registered trademarks of their respective companies. The absence of a trademark or registered trademark from this document does not constitute a waiver of intellectual property rights.

© Copyright 2010, Pelco, Inc. All rights reserved.

PELCO

by **Schneider** Electric

www.pelco.com

Pelco, Inc. Worldwide Headquarters 3500 Pelco Way Clovis, California 93612 USA
USA & Canada Tel (800) 289-9100 Fax (800) 289-9150
International Tel +1 (559) 292-1981 Fax +1 (559) 348-1120