

**Moog** - designed  
exclusively for Sony

# UNI-WMB4

## Security Housing Adapter Bracket

### Wall / Pendant Adapter Bracket for Outdoor Mini Dome Cameras

- The UNI-WMB4 is an all aluminum 1 inch gooseneck wall mount bracket.
- All pendant tops with 1 inch thread. This includes Sony's UNI-MDPHM, UNI-MDPDH180, UNI-MDPDH120, and UNI-MDPX.



### KEY FEATURES

- Standard hole pattern compatible with Sony's corner mounts, pole mounts and power block (UNI-PBU1)
- All aluminum construction
- 1 inch pipe thread for pendant mounting
- Gooseneck bracket for wall mounting
- Outdoor or indoor use

### BID SPECIFICATIONS

- The wall gooseneck bracket shall be Sony's model UNI-WMB4. The UNI-WMB4 shall include a 1 inch NPT thread to mate with Sony's models UNI-MDPHM, UNI-MDPDH180, UNI-MDPH120, and UNI-MDPX. The wall mount will be constructed of aluminum with welded components. The bracket features a light gray finish. The wall mount can be combined with the UNI-CMA1 for corner mount applications.

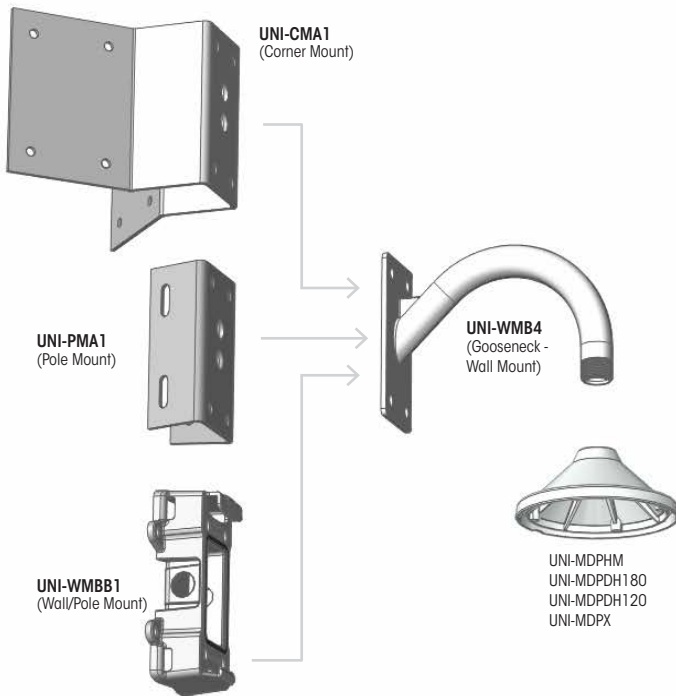
UNI-WMBB1 for surface / wall or pole mount applications and with the UNI-PMA1 for pole mounted applications. The kit includes gaskets and teflon tape for water ingress protection outdoors for the applicable outdoor Sony camera models.

V4

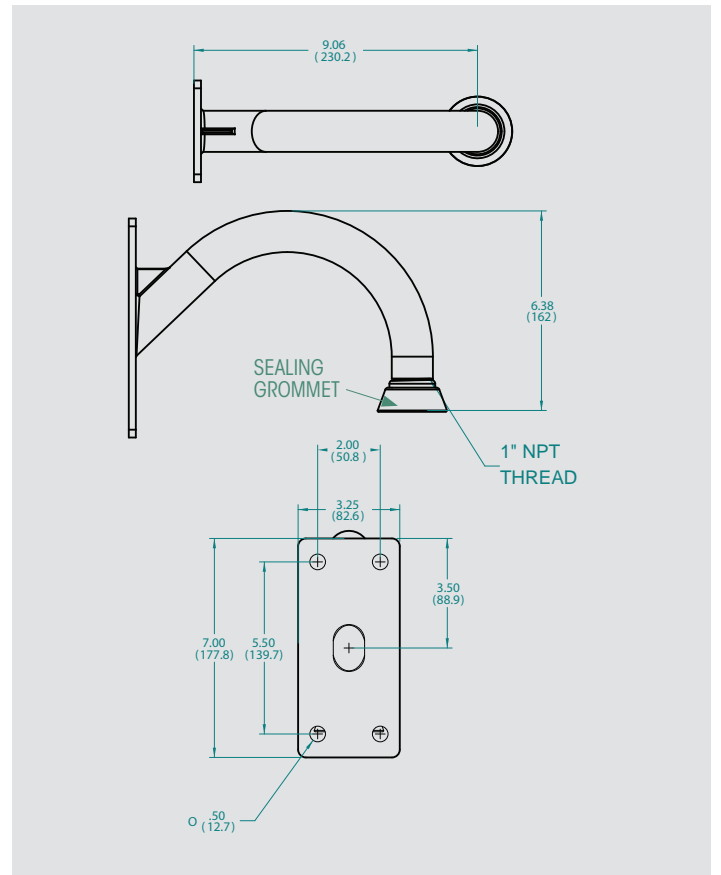
## SPECIFICATIONS

| UNI-WMB4                                  |   |
|---|---|
| Architecture / Engineering Specifications |   |
| Size (H x W x D)                          | 6.4 x 9.8 x 3.3 inches (162 x 249 x 83 mm)    |
| Weight                                    | 1.25 lbs. (.56 kg)                            |
| Body Construction                         | Aluminum                                      |
| Attributes                                |   |
| Environment                               | Indoor / Outdoor                              |
| Mounting Style                            | Wall Gooseneck                                |
| RoHS                                      | Yes   |
| WEEE                                      | Yes   |
| Shipping                                  |   |
| Weight                                    | 4 lbs. (2 kg)                                 |
| Dimensions                                | 9 x 8 x 4 inches ( 229 x 203 x 102 mm)        |
| Mounting Accessories                      |   |
| UNI-CMA1                                  | Corner mount                                  |
| UNI-PMA1                                  | Pole mount                                    |
| UNI-WMBB1                                 | Wall / Pole mount                             |
| Compatible Pendant Shrouds                |   |
| UNI-MDPHM                                 | Camera housing pendant mounting adapter       |
| UNI-MDPDH180                              | Camera outdoor pendant mount adapter          |
| UNI-MDPDH120                              | Camera housing pendant mounting adapter       |
| UNI-MDPX                                  | Pendent Mount Adapter for x Series Mini Domes |

## ACCESSORIES



## DIMENSIONS



Unit: inches (mm)

©2015 Sony Electronics Inc. All rights reserved.  
 Reproduction in whole or in part without permission is prohibited.  
 Features and specifications are subject to change without notice.  
 Weights and measurements are approximate. Sony is a trademark of Sony.  
 All other trademarks are the property of their respective owners.