

BRACKETS FOR MAXIMUS PTZ CAMERAS

MPXWBA WALL MOUNT BRACKET

Made of AISI 316L electropolished stainless steel

Load rating: 40kg (88lb)

Length: 400mm (15.7in)

Suitable for MPXCW and MPXCOL

Unit weight: 5.2kg (11.5lb)



MPXWBA

MPXWBTA PARAPET OR CEILING MOUNTING BRACKET

Made of AISI 316L electropolished stainless steel

Load rating: 40kg (88lb)

Dimensions: Ø 238mm (9.4in)

Unit weight: 2.8kg (6.2lb)



MPXWBTA

MPXCOL POLE MOUNT ADAPTOR

Made of AISI 316L electropolished stainless steel

For pole diameters: 110÷150mm (4.3÷5.9in)

Load rating: 50kg (110lb)

Dimensions: 198x182mm (7.8x7.2in)

Unit weight: 4.5kg (9.9lb)

Suitable for MPXWBA, MHXWBS



MPXCOL

MPXCW CORNER MOUNT ADAPTOR

Made of AISI 316L electropolished stainless steel

Load rating: 50kg (110lb)

Dimensions: 335x186mm (13.2x7.3in)

Unit weight: 3.6kg (7.9lb)

Suitable for MPXWBA, MHXWBS



MPXCW

MPXWBA WALL MOUNT BRACKET**PACKAGE**

Model Number	Weight	Dimensions (WxHxL)	Master carton
MPXWBA	6.1kg (13.5lb)	43.5x42x20cm (17x16.5x8in)	4

MPXWBTA PARAPET OR CEILING MOUNTING BRACKET**PACKAGE**

Model Number	Weight	Dimensions (WxHxL)	Master carton
MPXWBTA	3.2kg (7.1lb)	33x27x6.5cm (13x11x2.4in)	-

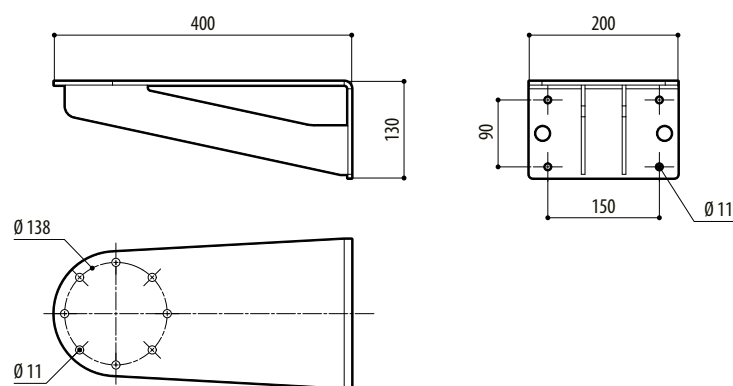
MPXCOL POLE MOUNT ADAPTOR**PACKAGE**

Model Number	Weight	Dimensions (WxHxL)	Master carton
MPXCOL	4.9kg (10.8lb)	24x15x21.5cm (9.4x6x8.5in)	6

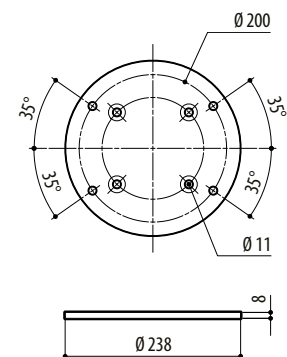
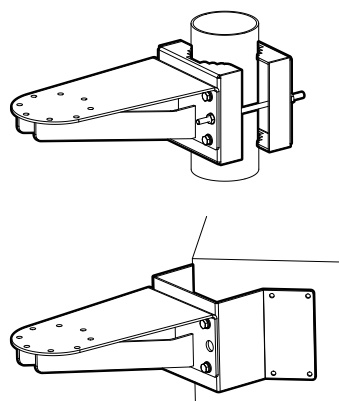
MPXCW CORNER MOUNT ADAPTOR**PACKAGE**

Model Number	Weight	Dimensions (WxHxL)	Master carton
MPXCW	4.8kg (10.6lb)	36.5x25.5x26cm (14.4x10x10.2in)	5

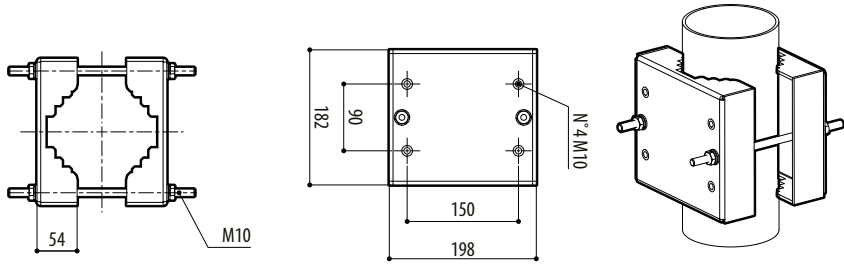
Sizes in millimeters.



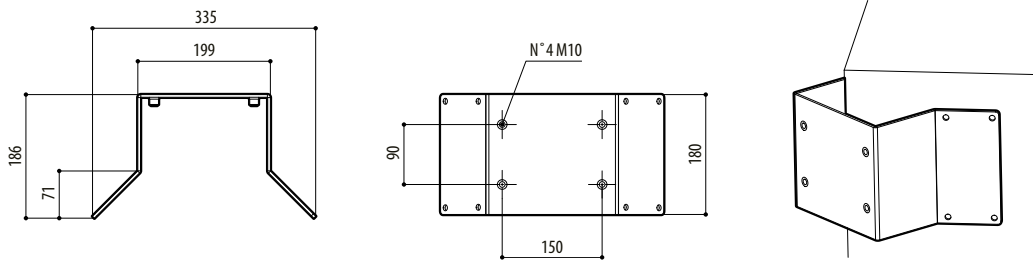
MPXWBA



MPXWBTA



MPXCOL



MPXCW

