



by **Schneider** Electric

# INSTALLATION

## EM14 and EM1450 Light Duty Wall Mount



**C261M-E (8/14)**



# Important Safety Instructions

---

Prior to installation and use of this product, the following WARNINGS should be observed.

1. Read these instructions.
2. Keep these instructions.
3. Heed all warnings.
4. Follow all instructions
5. Only use attachments/accessories specified by the manufacturer.
6. Installation should be done only by qualified personnel and conform to all local codes.
7. Unless the unit is specifically marked as a NEMA Type 3, 3R, 3S, 4, 4X, 6, or 6P enclosure, it is designed for indoor use only and it must not be installed where exposed to rain and moisture.
8. Use only installation methods and materials capable of supporting four times the maximum specified load.
9. Use stainless steel hardware to fasten the mount to outdoor surfaces.
10. To prevent damage from water leakage when installing a mount outdoors on a roof or wall, apply sealant around the bolt holes between the mount and mounting surface.
11. Only use replacement parts recommended by Pelco.

The product and/or manual may bear the following marks:



This symbol indicates that dangerous voltage constituting a risk of electric shock is present within this unit.



This symbol indicates that there are important operating and maintenance instructions in the literature accompanying this unit.

<b>CAUTION:</b>
RISK OF ELECTRIC SHOCK. DO NOT OPEN.

Please thoroughly familiarize yourself with the information in this manual prior to installation and operation.

# Description

---

The EM14 light duty wall mount has been specifically designed for use with the EH14 series enclosures.

The EM1450 light duty wall mount has been designed for use with the EH2508, EH2512, EH2515, EH3508, EH3512, and EH3515 enclosures.

The EM14 and EM1450 can be installed on a wall or vertical surface, indoors or outdoors, and both are capable of supporting up to 9 kilograms (20 pounds).

Both EM14 and EM1450 have an adjustable tilt table that allows manual positioning of the enclosure.



**EM14**



**EM1450**

## PARTS LIST

The following parts are supplied.

<b>Qty</b>	<b>Description</b>
1	Mount, light duty wall
2	Screw, Hex head, 1/4-20 x 0.500-inch
2	Split washer, 1/4-inch
2	Flat washer, 3/16-inch
1	Installation manual

## USER SUPPLIED PARTS LIST

The following installation parts and tools are needed but not supplied.

<b>Qty</b>	<b>Description</b>
1	Enclosure, EH14, EH14-2, or EH14-3 ( <b>for EM14</b> )
1	Enclosure, EH2508, EH2512, EH2515, EH3508, EH3512, or EH3515 ( <b>for EM1450</b> )
1	Screwdriver for 1/4" hex head screws to attach the enclosure to the tilt table
2-4	Appropriate mounting fasteners depending on nature of mounting surface
1	Appropriate water-tight sealant, if installing the product outdoors

# Installing the Mount

1. Using the wall mount as a template, mark the holes for the mounting hardware on the mounting surface.



## **WARNINGS:**

- Make certain the mounting surface can support the full load of the mount, enclosure, and camera.
  - When installing the mount outdoors, seal the bolt holes with an appropriate sealant to prevent water damage to the mounting surface. Apply the sealant around the bolt holes between the mount and the mounting surface.
2. Prepare the surface.
  3. Attach the mount to the mounting surface with the appropriate hardware (not supplied). If you install the mount outdoors, apply a sealant between the mount and the mounting surface.
  4. Attach the enclosure to the tilt table with the two 1/4-20 x 0.500-inch hex screws, split washers, and flat washers (supplied).
  5. Adjust the pan position of the mount:
    - a. Loosen the cap nut on the tilt table support bracket.
    - b. Adjust the pan position of the tilt table by moving it to the left or right.
    - c. Re-tighten the cap nut.
  6. Adjust the tilt position of the mount:
    - a. Loosen the two bolts on the tilt table.
    - b. Move the tilt table up or down.
    - c. Re-tighten the bolts.

# Specifications

## MODEL

EM14 Light duty wall mount; for use with EH14, EH14-2, and EH14-3 enclosures

EM1450 Light duty wall mount; for use with EH2508, EH2512, EH2515, EH3508, EH3512, and EH3515 enclosures

## MECHANICAL

Suggested Mounting Method Secure to solid surface with 2-4 fasteners, minimum M6 (1/4-inch) diameter recommended.

Enclosure Mounting 2 each: 1/4-20 x 0.500-inch screws

Pan Adjustment 360°

Tilt Adjustment ±75° (up or down)

Locking Method  
 Pan 1/4-20 high crown cap nut  
 Tilt 2 each: 3/8-16 x 0.500-inch bolts

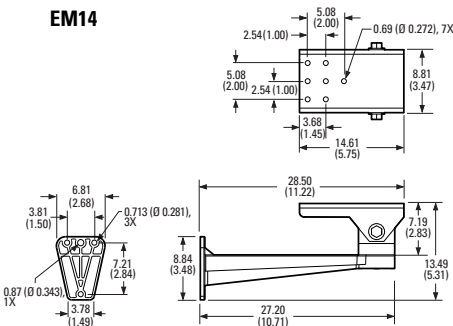
## GENERAL

Construction  
 Mounting Arm Die-cast aluminum  
 Tilt Table and Support Bracket Aluminum  
 Finish Gray polyester powder coat  
 Maximum Load 9 kg (20 lb)  
 Unit Weight  
 EM14 0.97 kg (2.14 lb)  
 EM1450 0.91 kg (2.00 lb)

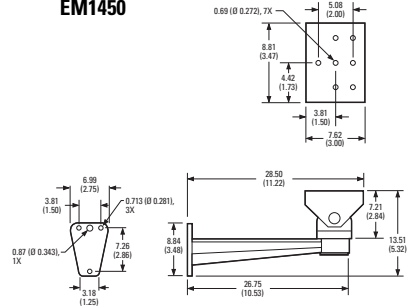


NOTE: VALUES IN PARENTHESES ARE INCHES; ALL OTHERS ARE CENTIMETERS.

### EM14



### EM1450



## WARRANTY STATEMENT

For information about Pelco's product warranty and thereto related information, refer to [www.pelco.com/warranty](http://www.pelco.com/warranty).



This equipment contains electrical or electronic components that must be recycled properly to comply with Directive 2002/96/EC of the European Union regarding the disposal of waste electrical and electronic equipment (WEEE). Contact your local dealer for procedures for recycling this equipment.

### REVISION HISTORY

Manual #	Date	Comments
C261M	3/99	Original version.
C261M	3/00	Revised Figure 1 and installation step 4 per ECO 00-5634.
C261M-A	2/06	Revised to new format. Corrected measurements in dimension drawing.
C261M-B	1/08	Revised mounting head hole pattern per ECO 07-17992.
C261M-C	1/11	Updated the Important Safety Instructions and Warranty, revised the Installation and Specifications sections, and applied current format.
C261M-D	4/14	Updated template, metric/imperial dimensions, and supplied screw size.
C261M-E	8/14	Added EM14 Wall Mount.

Pelco, the Pelco logo, and other trademarks associated with Pelco products referred to in this publication are trademarks of Pelco, Inc. or its affiliates. All other product names and services are the property of their respective companies. ONVIF and the ONVIF logo are trademarks of ONVIF Inc. Product specifications and availability are subject to change without notice.

© Copyright 2014, Pelco, Inc. All rights reserved.

***PELCO***

by **Schneider** Electric

Pelco by Schneider Electric 3500 Pelco Way Clovis, California 93612-5699 United States  
USA & Canada Tel (800) 289-9100 Fax (800) 289-9150  
International Tel +1 (559) 292-1981 Fax +1 (559) 348-1120  
**[www.pelco.com](http://www.pelco.com) [www.pelco.com/community](http://www.pelco.com/community)**