

# HG5Z2518FC-MP

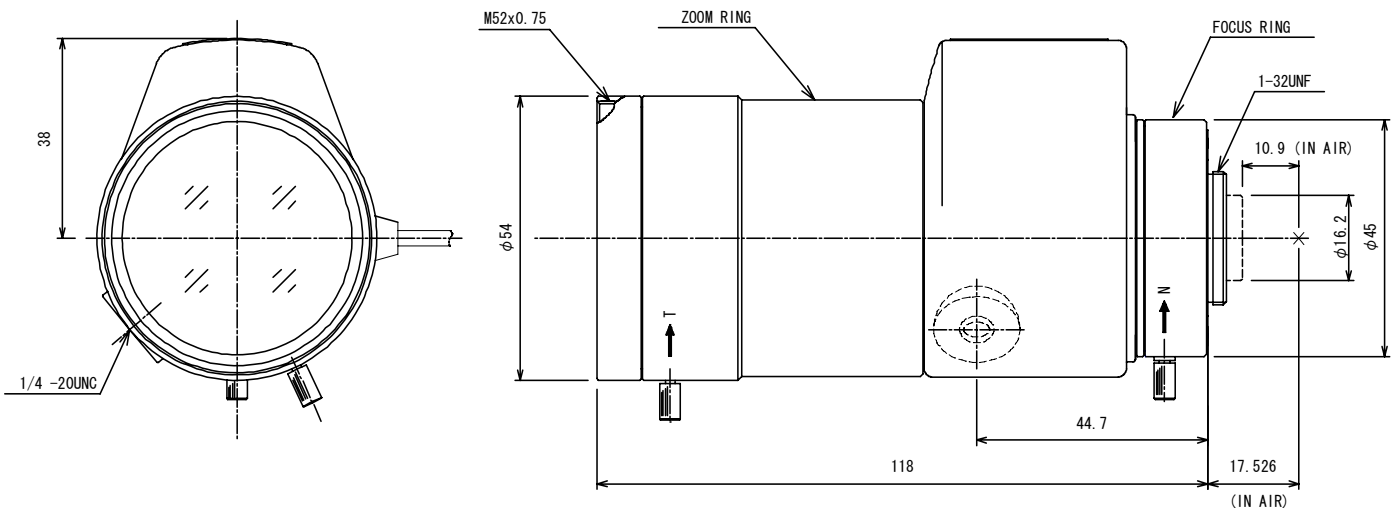
5X 25mm-135mm F1.8

for 1/2 type Megapixel Cameras, Vari-focal Auto Iris DC Drive

C-Mount

Model No.	HG5Z2518FC-MP		Effective	Front	φ 44.5mm		
Focal Length	25mm - 135mm		Lens Aperture	Rear	φ 12.2mm		
Max. Aperture Ratio	1:1.8		Back Focal	Tele	12.0mm		
Max. Image Format	4.8mm x 6.4mm (φ 8.0mm)		Length	Wide	16.4mm		
Operation Range	Iris	F1.8 - F360C	Flange Back Length		17.526mm		
	Focus	1.5m - Inf.	Mount		C-Mount		
	Zoom	25mm - 135mm	Tripod Screw		1/4 -20UNC		
Control	Iris	DC Auto Iris	Filter Size		M52 x 0.75		
	Focus	Manual	Dimensions		φ 54 x 65 x 118		
	Zoom	Manual	Weight		402 g		
Angle of View	D	1/2 type	18.4° - 3.5°	1/3 type	13.6° - 2.6°	1/4 type	10.1° - 2.0°
	H		14.5° - 2.8°		10.8° - 2.1°		8.1° - 1.6°
	V		10.8° - 2.1°		8.1° - 1.6°		6.0° - 1.2°
Coil	Drive	190 Ω					
	Control	1000 Ω					
Operating Temperature	-10°C - +50°C						

## Dimensions



## Wiring Diagram

