

H6Z0812MP

6X 8mm - 48mm F1.2
for 1/2 type Cameras, Motorized Zoom
C-Mount

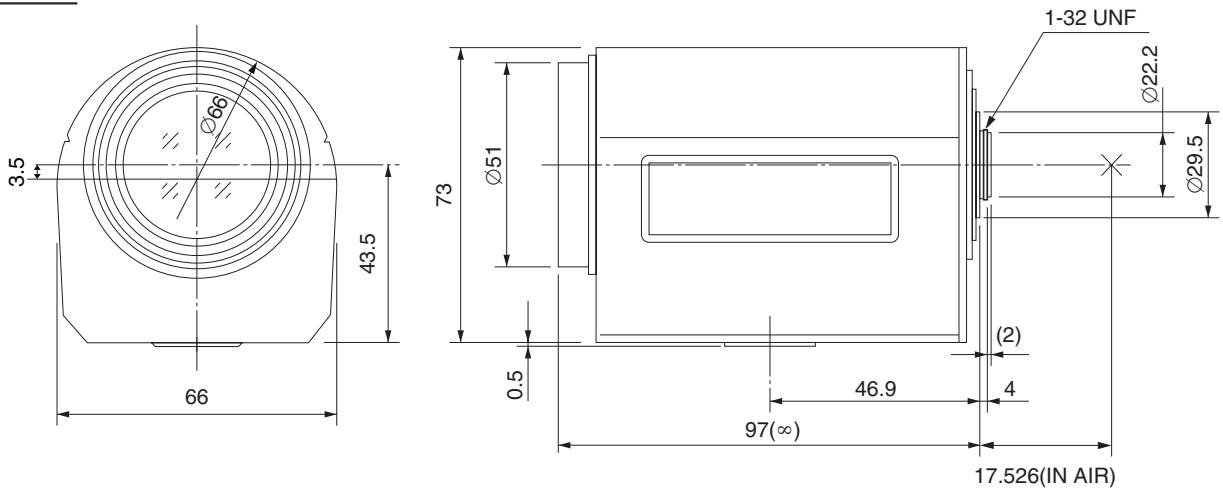
with Preset

Model No.	H6Z0812MP		Effective	Front	Ø39.2mm		
Focal Length	8mm - 48mm		Lens Aperture	Rear	Ø16.6mm		
Max. Aperture Ratio	1:1.2		Back Focal Length		11.4mm		
Max. Image Format	6.4mm x 4.8mm(Ø8mm)		Flange Back Length		17.526mm		
Operation Range	Iris	F1.2 - F16C		Mount	C-Mount		
	Focus	1.2m - Inf.		Filter Size	M49 P=0.75mm		
	Zoom	8mm - 48mm		Tripod Screw	1/4 - 20UNC		
Control	Iris	Motorized		Dimensions	W66mm x H73.5mm x D97mm		
	Focus	Motorized, Preset		Weight	440g		
	Zoom	Motorized, Preset					
Object Dimension at M.O.D.	8mm	98.4cm x 72.2cm					
	48mm	16.8cm x 12.8cm					
Angle of View	D	1/2 type	55.8° - 9.9°	1/3 type	41.8° - 7.5°	1/4 type	31.4° - 5.6°
	H		44.6° - 8.0°		33.5° - 6.1°		25.2° - 4.6°
	V	33.5° - 6.1°	25.2° - 4.6°	18.9° - 3.4°			
		Iris		Focus		Zoom	
Supply Voltage	DC8V		DC8V		DC8V		
Current	20mA or less		40mA or less		40mA or less		
Response Time	Approx. 2.5 sec.		Approx. 5 sec.		Approx. 4.5 sec.		
Preset Potentiometer	—		5kQVR		5kQVR		
Operating Temperature	-10°C - +50°C						

1/2 type

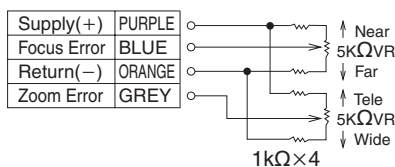
C

Dimensions

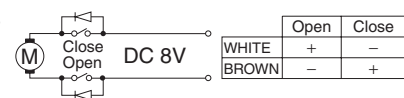


Wiring Diagram

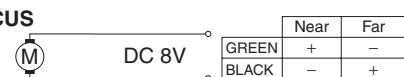
PRESET POTENTIOMETER



IRIS



FOCUS



ZOOM

