

H62Z1235AMP-MP

62X 12.5-775mm F3.5
for 1/2 type Cameras, Motorized Zoom
C-Mount, Megapixel
Preset (Focus & Zoom)

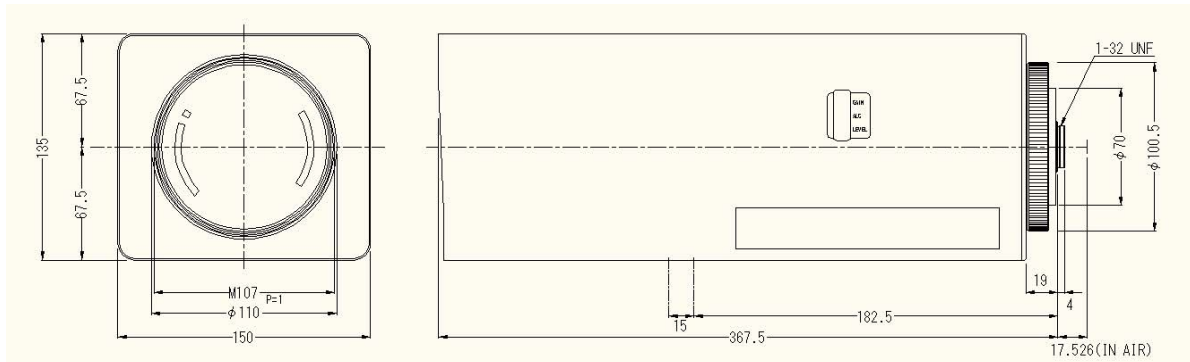
with Video Auto Iris

Model No.	H62Z1235AMP-MP		Effective	Front	φ 98.5mm		
Focal Length	12.5mm - 775mm		Lens Aperture	Rear	φ 17.5mm		
Max. Aperture Ratio	1:3.5		Back Focal Length	42.29mm			
Max. Image Format	6.4mm x 4.8mm (φ 8mm)		Flange Back Length	17.53mm			
Operation Range	Iris	F3.5 - Close		Mount	C-Mount		
	Focus	5.0m - Inf.		Filter Size	M107 P=1.0mm		
	Zoom	12.5mm - 775mm		Tripod Screw	1/4 -20UNC X 2		
Control	Iris	Video Auto Iris		Dimensions	W150mm x H135mm x D367.5mm		
	Focus	Motorized		Weight	5350g		
	Zoom	Motorized					
Object Dimension at M.O.D.	12.5mm	245.4cm X 184.2cm					
	775mm	3.94cm X 2.96cm					
Angle of View	D	1/2 type	35.47° - 0.58°	1/3 type	27.06° - 0.44°	1/4 type	20.44° - 0.33°
	H		28.77° - 0.47°		21.78° - 0.35°		16.41° - 0.26°
	V		21.78° - 0.35°		16.41° - 0.26°		12.34° - 0.20°
		Iris	Focus	Zoom			
Supply Voltage	DC8.5-16V		DC6-12V	DC6-12V			
Current	30mA or less		60mA or less	60mA or less			
Response Time	-		Approx. 7.5 sec. (when 10V input)	Approx. 8.5 sec. (when 10V input)			
Preset Potentiometer	-		10K Ω VR	10K Ω VR			
Light Weighting method	Adjustable between Average - Peak						
Input Signal	Video Signal (V or VS)						
Iris Accuracy	± 15% at Video Signal Level						
Sensitivity Adjustment	0.4V(p-p) - 1.0V (p-p) (Video Signal)						
Input Impedance	High Impedance						
Operating Temperature	-10°C - +50°C						

1/2 type

C

Dimensions



Wiring Diagram

