

H62Z1235AMP-MPIR

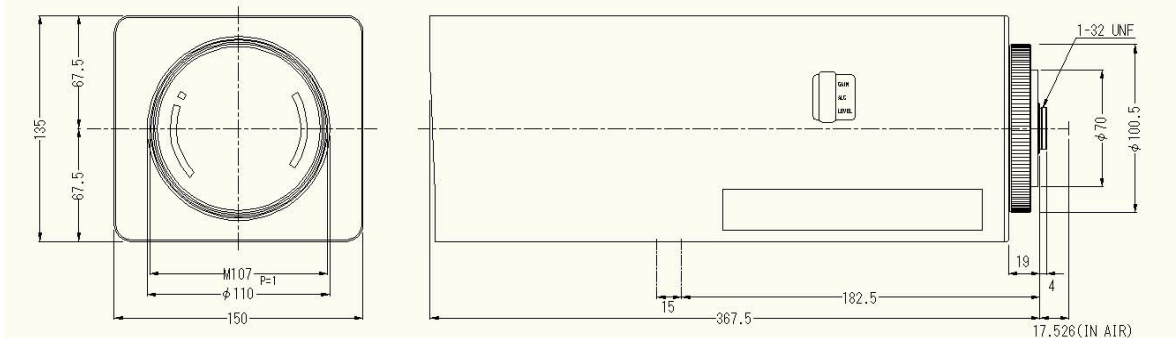
62X 12.5-775mm F3.5
for 1/2 type Cameras, Motorized Zoom
C-Mount, Megapixel, Preset (Focus & Zoom)
Fog through filter (when select 850nm, 880nm, 950nm)
IR Lamp focus adjustment (For 850nm, 880nm, 950nm)

with Video Auto Iris

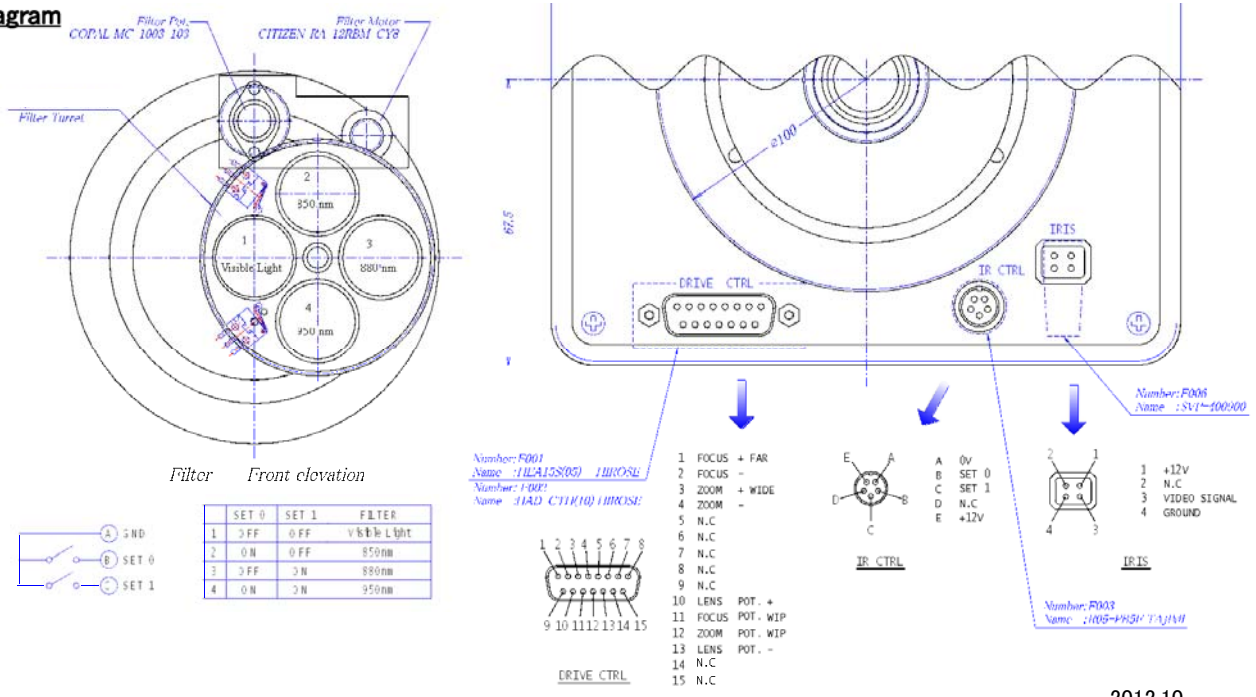
| | | | | | | | |
|----------------------------|---------------------------------------|-------------------|----------------|--------------------|-----------------------------------|----------|-----------------------------------|
| Model No. | H62Z1235AMP-MPIR | | | Effective | Front | φ 98.5mm | |
| Focal Length | 12.5mm - 775mm | | | Lens Aperture | Rear | φ 17.5mm | |
| Max. Aperture Ratio | 1:3.5 | | | Back Focal Length | 42.29mm | | |
| Max. Image Format | 6.4mm x 4.8mm (φ 8mm) | | | Flange Back Length | 17.53mm | | |
| Operation Range | Iris | F3.5 - Close | | Mount | C-Mount | | |
| | Focus | 5.0m - Inf. | | Filter Size | M107 P=1.0mm | | |
| | Zoom | 12.5mm - 775mm | | Tripod Screw | 1/4 -20UNC X 2 | | |
| Control | Iris | Video Auto Iris | | Dimensions | W150mm x H135mm x D367.5mm | | |
| | Focus | Motorized | | Weight | 5800g | | |
| | Zoom | Motorized | | | | | |
| Object Dimension at M.O.D. | 12.5mm | 245.4cm X 184.2cm | | | | | |
| | 775mm | 3.94cm X 2.96cm | | | | | |
| Angle of View | D | 1/2 type | 35.47° - 0.58° | 1/3 type | 27.06° - 0.44° | 1/4 type | 20.44° - 0.33° |
| | H | | 28.77° - 0.47° | | | | 16.41° - 0.26° |
| | V | | 21.78° - 0.35° | | | | 12.34° - 0.20° |
| | | | | | | | |
| Supply Voltage | Iris | | DC8.5-16V | Focus | DC6-12V | | Zoom |
| Current | | | 30mA or less | | 60mA or less | | 60mA or less |
| Response Time | | | - | | Approx. 7.5 sec. (when 10V input) | | Approx. 8.5 sec. (when 10V input) |
| Preset Potentiometer | | | - | | 10K Ω VR | | 10K Ω VR |
| Light Weighting method | Adjustable between Average - Peak | | | | | | |
| Input Signal | Video Signal (V or VS) | | | | | | |
| Iris Accuracy | ± 15% at Video Signal Level | | | | | | |
| Sensitivity Adjustment | 0.4V(p-p) - 1.0V (p-p) (Video Signal) | | | | | | |
| Input Impedance | High Impedance | | | | | | |
| Operating Temperature | -10°C - +50°C | | | | | | |

1/2 type
C

Dimensions



Wiring Diagram



Specification is subject to change without any notice.