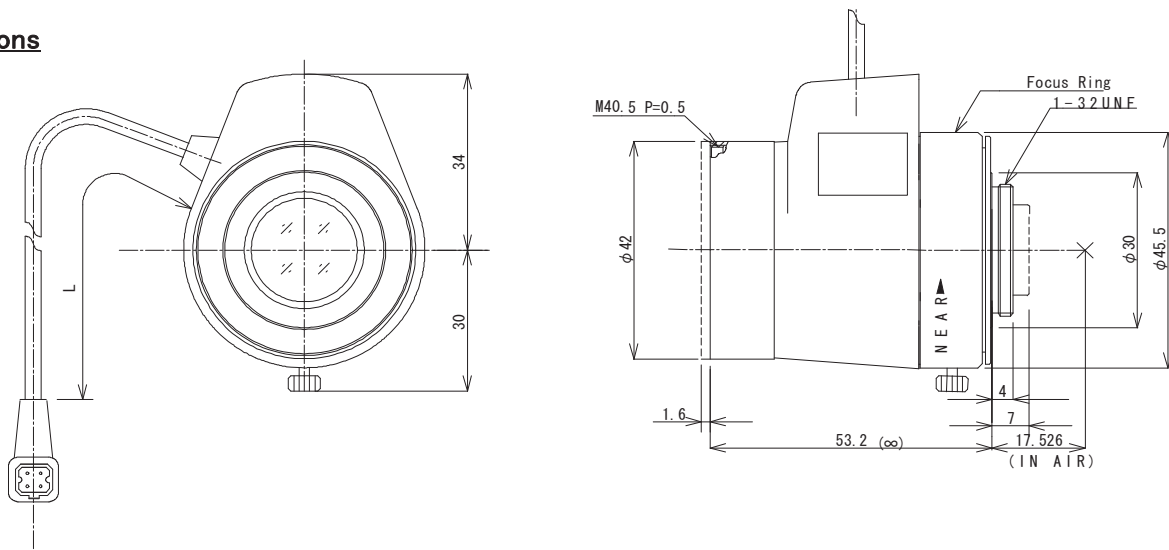


# MG3518KC-MPIR

**f=35mm F1.8 Day & Night**  
**for 2/3 type 5 Megapixel Cameras, Fixed-focal, Stepping Motor Iris**  
**C-Mount**

Model No.		MG3518KC-MPIR		Effective	Front	φ 19.8mm	
Focal Length		35mm		Lens Aperture	Rear	φ 12.1mm	
Max. Aperture Ratio		1:1.8		Back Focal Length		14.3mm	
Max. Image Format		11.3mm x 6.0mm(φ 12.8mm)		Flange Back Length		17.526mm	
Operation Range	Iris	F1.8 - F16C		Mount		C-Mount	
	Focus	1m - Inf.		Filter Size		M40.5 × 0.5	
	Zoom	-		Dimensions		φ 42mm × 56.8mm × 53.2 mm	
Control	Iris	Stepping Motor		Weight		123 g	
	Focus	Manual					
	Zoom	-					
Angle of View	D	2/3 type	17.4°	1/2 type	12.7°	1/3 type	9.5°
	H		13.9°		10.2°		7.6°
	V		10.5°		7.6°		5.7°
Operating Temperature		-10°C - +50°C		CMV2000 11.264 × 5.984 (φ 12.75)	D	20.0°	
					H	17.8°	
					V	9.5°	

**Dimensions**



**Wiring Diagram**

