

T10Z5712PDC-CS

10X 5.7mm - 57mm F1.2
for 1/3 type Cameras, Motorized Zoom
CS-Mount

with DC Auto Iris and Preset

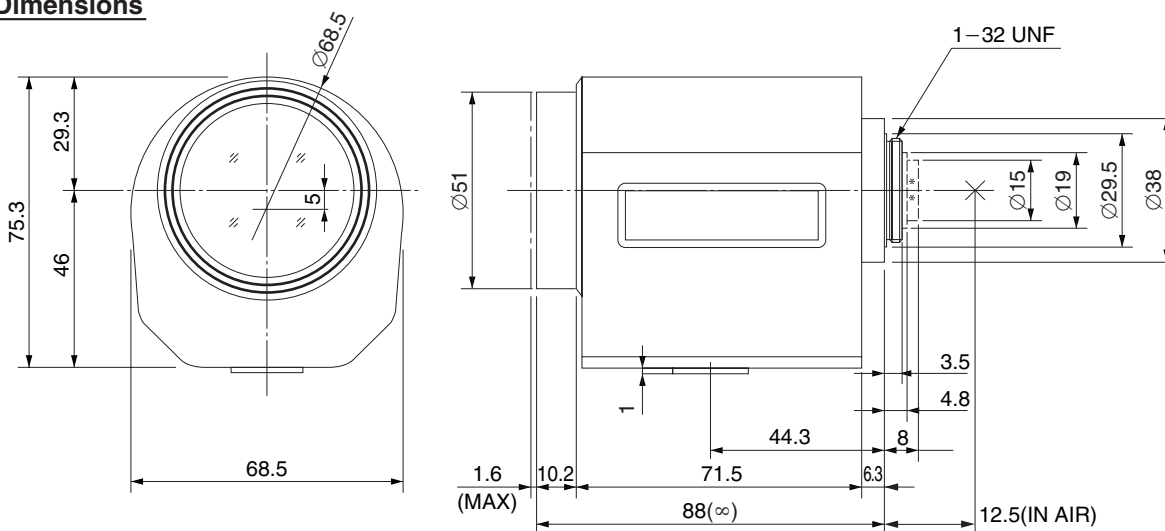
1/3
type

| | | | | | | |
|----------------------------|---------------------|-------------------|--------------------|---------------------------|--------------|--|
| Model No. | T10Z5712PDC-CS | | Effective | Front | Ø45.0mm | |
| Focal Length | 5.7mm - 57mm | | Lens Aperture | Rear | Ø8.6mm | |
| Max. Aperture Ratio | 1:1.2 | | Back Focal Length | 8.5mm | | |
| Max. Image Format | 4.8mm x 3.6mm(Ø6mm) | | Flange Back Length | 12.5mm | | |
| Operation Range | Iris | F1.2 - F560C | Mount | CS-Mount | | |
| | Focus | 1.8m - Inf. | Filter Size | M49 P=0.75mm | | |
| | Zoom | 5.7mm -57mm | Tripod Screw | 1/4 - 20UNC | | |
| Control | Iris | DC Auto Iris | Dimensions | W68.5mm x H76.3mm x D88mm | | |
| | Focus | Motorized, Preset | Weight | 500g | | |
| | Zoom | Motorized, Preset | | | | |
| Object Dimension at M.O.D. | 5.7mm | 147.6cm x 110.8cm | | | | |
| | 57mm | 15.1cm x 11.6cm | | | | |
| Angle of View | D | 1/3 type | 54.2° - 5.9° | 1/4 type | 42.0° - 4.5° | |
| | H | | 44.6° - 4.8° | | 34.2° - 3.7° | |
| | V | | 34.2° - 3.7° | | 25.9° - 2.7° | |
| | Iris | Focus | Zoom | | | |
| Supply Voltage | — | | DC8V | DC8V | | |
| Current | — | | 25mA or less | 25mA or less | | |
| Response Time | — | | Approx. 3.5 sec. | Approx. 4 sec. | | |
| Preset Potentiometer | — | | 5kQVR | 5kQVR | | |
| Coil | Drive | 190Q | | | | |
| | Control | 1000Q | | | | |
| Operating Temperature | -10°C - +50°C | | | | | |

CS

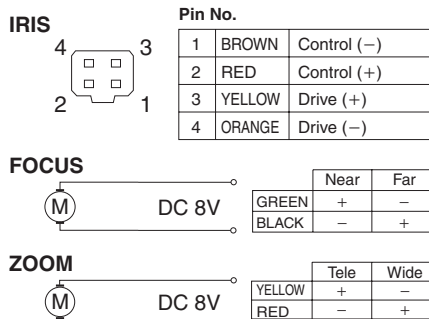
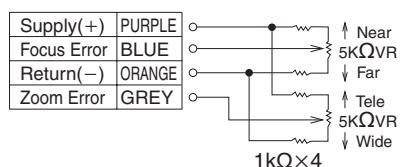
M.O.D. : Minimum Object Distance

Dimensions



Wiring Diagram

PRESET POTENTIOMETER



**** : for B/W camera**
 Using with a B/W camera, please use the attached "B/W aberration compensation filter" and "FB compensation spacer". The filter(M20 P=0.5mm) should be screwed onto the lens from rear side and the spacer should be placed between lens and camera.