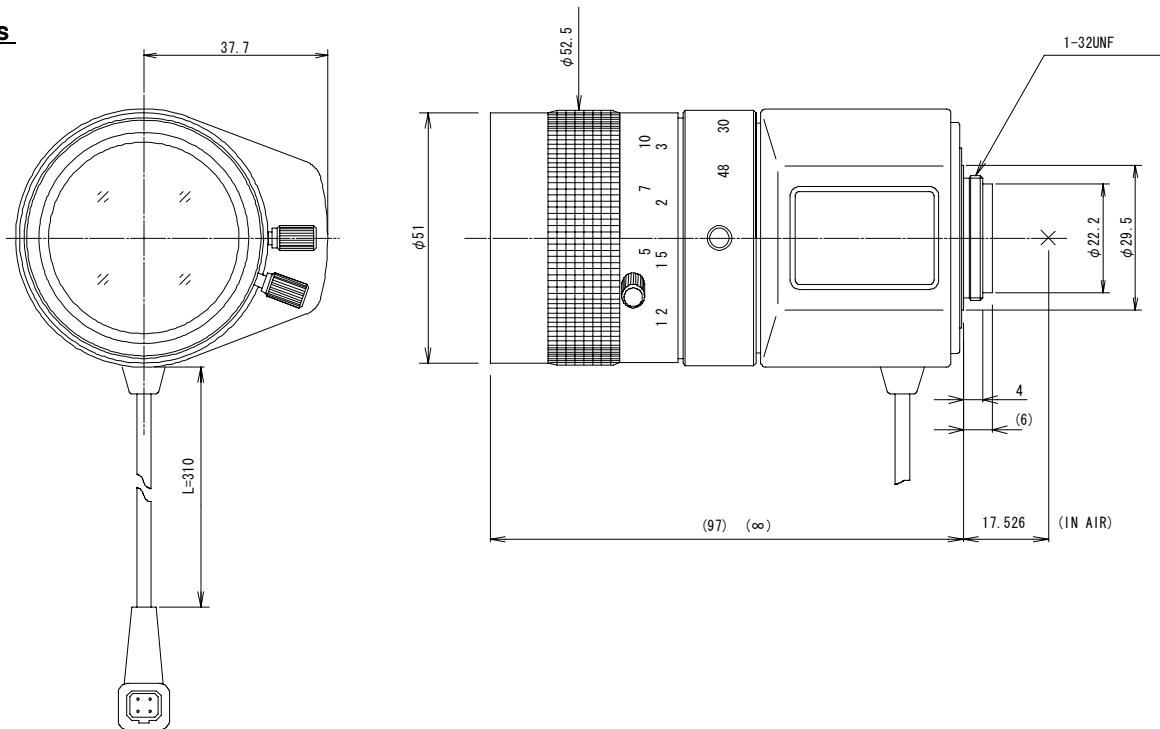


H6Z0812AIDC

6X 8mm - 48mm F1.2
for 1/2type Cameras , Manual Zoom DC Drive
C-Mount

Model No.		H6Z0812AIDC		Effective		Front		φ 39.2mm	
Focal Length		8mm - 48mm		Lens Aperture		Rear		φ 16.6mm	
Max.Aperture Ratio		1:1.2		Back Focal Length		11.4mm			
Max.Image Format		4.8mm x 6.4mm(φ 8mm)		Flange Back Length		17.526mm			
Operation Range	Iris	F1.2 - F560C		Mount		C-Mount			
	Focus	1.2m - Inf.		Filter Size		M49 P=0.75mm			
	Zoom	8mm - 48mm		Dimensions		φ 52.5mm x 64mm x 97mm			
Control	Iris	DC Auto Iris		Weight		295g			
	Focus	Manual							
	Zoom	Manual							
Angle of View	D	1/2type	55.8° - 9.9°	1/3type	41.8° - 7.5°	1/4type	31.4° - 5.6°		
	H		44.6° - 8.0°		33.5° - 6.1°		25.2° - 4.6°		
	V		33.5° - 6.1°		25.2° - 4.6°		18.9° - 3.4°		
Coil	Drive	190Ω / 20°C							
	Control	1000Ω / 20°C							
Operating Temperature		-10°C - +50°C							

Dimensions



Wiring Diagram

