

# TG2314FCS-3

**2.3mm F1.4**  
**for 1/3 type Cameras, Fixed-focal Auto Iris DC Drive**  
**CS-Mount**

with Focus, w/o Amplifier

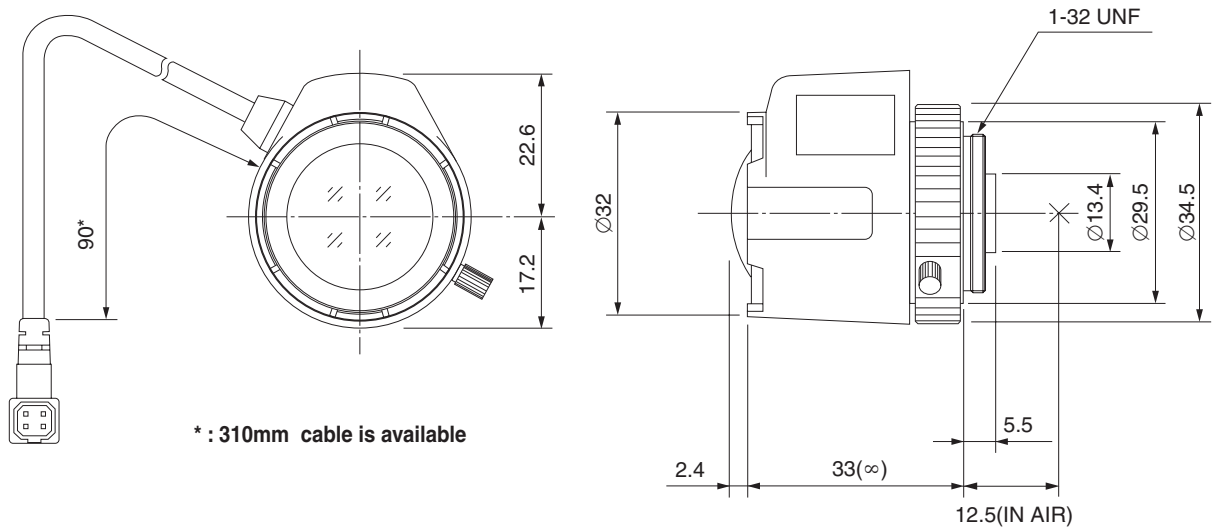
Model No.	TG2314FCS-3		Effective	Front	Ø22.8mm	
Focal Length	2.3mm		Lens Aperture	Rear	Ø7.0mm	
Max. Aperture Ratio	1:1.4		Back Focal Length	7.1mm		
Max. Image Format	4.8mm x 3.6mm(Ø6mm)		Flange Back Length	12.5mm		
Operation Range	Iris	F1.4 - F360C		Mount	CS-Mount	
	Focus	0.2m - Inf.		Filter Size	—	
Control	Iris	DC Auto Iris		Dimensions	Ø32mm x 39.8mm x 35.4mm	
	Focus	Manual		Weight	45g	
Object Dimension at M.O.D.	60.8cm x 37.5cm					
Angle of View	D	1/3 type	137.9°	1/4 type	106.7°	
	H		113.3°		86.3°	
	V		86.3°		65.3°	
Coil	Drive	190Ω				
	Control	855Ω				
Operating Temperature	-20°C - +50°C					

**1/3**  
type

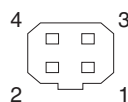
M.O.D : Minimum Object Distance

## Dimensions

**CS**



## Wiring Diagram



### Pin No.

1	BROWN	Control (-)
2	RED	Control (+)
3	YELLOW	Drive (+)
4	ORANGE	Drive (-)