

**TG3Z3510FCS**

**VARI FOCAL 3X 3.5~10.5mm F1.0**

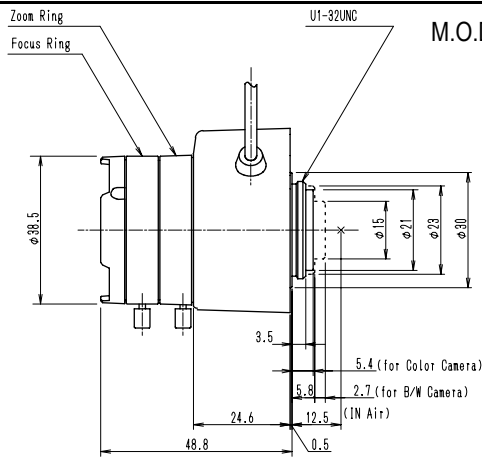
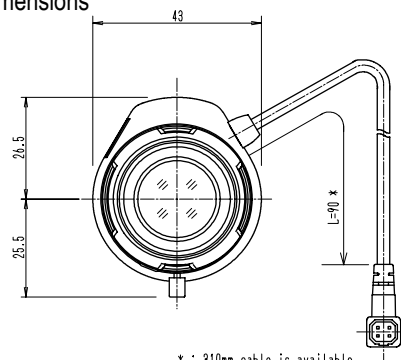
**for 1/3"format cameras**

**CS-Mount**

**with Focus, w/o Amplifier**

Model No.	TG3Z3510FCS		Effective	Front	φ18.5mm	<b>1/3</b>
Focal Length	3.5 ~ 10.5mm		Lens Aperture	Rear	φ 10.1mm	
Max. Aperture Ratio	1 : 1.0		Back Focal	Tele	16.7mm	
Max. Image Format	4.8 x 3.6mm (φ6mm)		Length	Wide	8.3mm	
Operation Range	Iris	F1.0 ~ 360	Flange Back Length		12.5mm	
	Focus	0.3m ~ Inf.	Mount		CS-Mount	
	Zoom	3.5 ~ 10.5mm	Filter Size		M37.5 P=0.5mm	
Control	Iris	Auto Iris	Dimensions		φ38.5 x 47.5 x 48.8mm	<b>CS</b>
	Focus	Manual	Weight		65g	
	Zoom	Manual				
Object Dimension at M.O.D.	3.5 mm	51.8 × 34.1cm				
	10.5mm	14.5 × 10.8cm				
Angle of View	D	108.4~34.2°				
	H	81.6~27.2°				
	V	59.2~20.4°				
Coil	Drive	190 ohm				<b>AG</b>
	Control	850 ohm				
Operating Temperature	-20°C ~ +50°C					

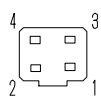
**Dimensions**



M.O.D. : Minimum Object Distance

**Wiring Diagram**

\* : 310mm cable is available



Pin No.	Color	Function
1	BROWN	Control(-)
2	RED	Control(+)
3	YELLOW	Drive (+)
4	ORANGE	Drive (-)

**Z**

**SP**