

T21Z5816MP-CS

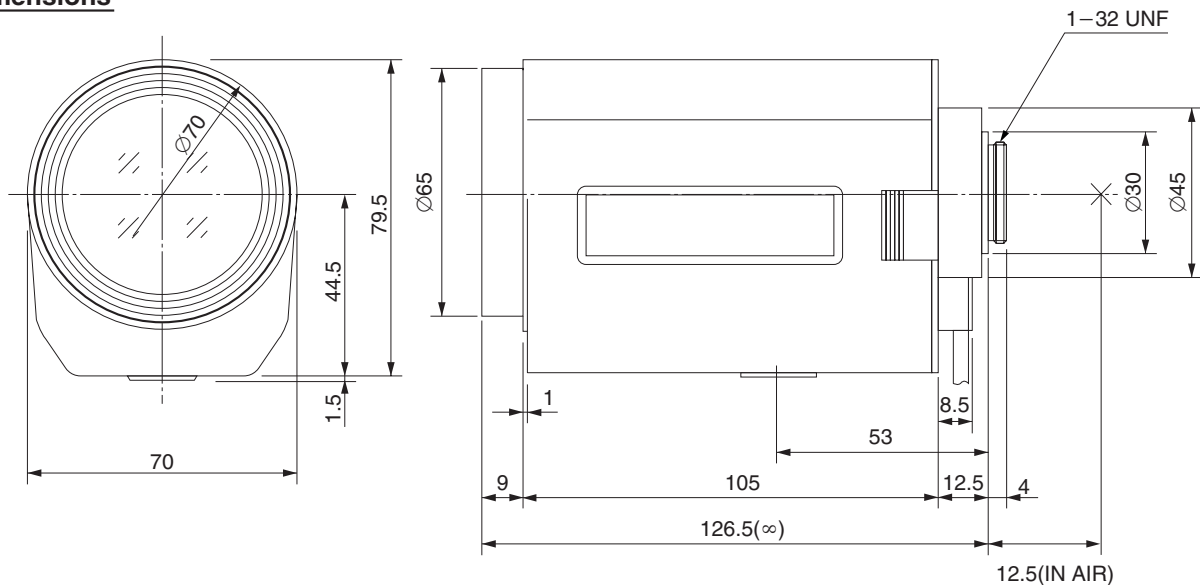
21X 5.8mm - 121.8mm F1.6
for 1/3 type Cameras, Motorized Zoom
CS-Mount

with Preset

Model No.	T21Z5816MP-CS		Effective	Front	Ø53.2mm
Focal Length	5.8mm - 121.8mm		Lens Aperture	Rear	Ø10.6mm
Max. Aperture Ratio	1:1.6		Back Focal Length	13.6mm	
Max. Image Format	4.8mm x 3.6mm(Ø6mm)		Flange Back Length	12.5mm	
Operation Range	Iris	F1.6 - F22C	Mount	CS-Mount	
	Focus	1.5m - Inf.	Filter Size	M62 P=0.75mm	
	Zoom	5.8mm - 121.8mm	Tripod Screw	1/4 - 20UNC	
Control	Iris	Motorized	Dimensions	W70mm x H81mm x D126.5mm	
	Focus	Motorized, Preset	Weight	700g	
	Zoom	Motorized, Preset			
Object Dimension at M.O.D.	5.8mm	123.7cm x 91.1cm			
	121.8mm	6cm x 4.7cm			
Angle of View	D	1/3 type	55.5° - 2.9°	1/4 type	42.0° - 2.2°
	H		44.8° - 2.3°		33.8° - 1.8°
	V		33.8° - 1.8°		25.3° - 1.3°
	Iris		Focus		Zoom
Supply Voltage	DC8V		DC8V	DC8V	
Current	20mA or less		40mA or less	35mA or less	
Response Time	Approx. 2.5 sec.		Approx. 4.5 sec.	Approx. 3.5 sec.	
Preset Potentiometer	—		5kQVR	5kQVR	
Operating Temperature	-10°C - +50°C				

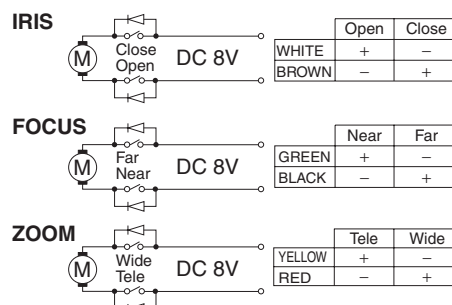
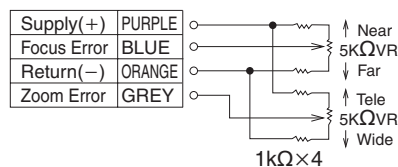
Dimensions

M.O.D. : Minimum Object Distance



Wiring Diagram

PRESET POTENTIOMETER



1/3 type

CS