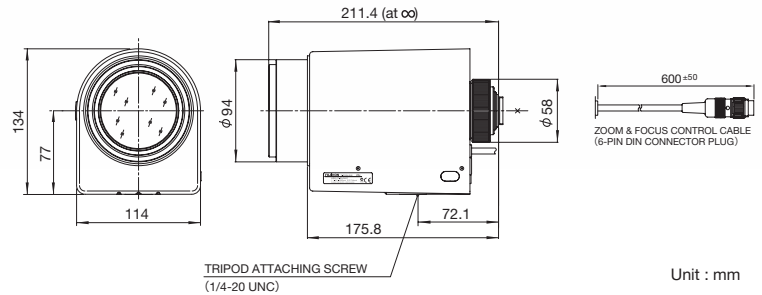


## H22x11.5 Series

Applicable camera (model) **1** **2/3** **1/2** **1/3** **1/4**

**22x**

Applicable to **2/3**



Unit : mm

**Day Night**

H22x11.5R2D-ZP1 Series  
 Zoom Motor Drive Wide Angle Telephoto Long Focal Remote Iris Video Auto Iris Iris-Remote C Mount Metal Mount Potentiometer ND Filter PC Control Full Servo Large Aperture Ratio RoHS Compliant  
**ZOOM MOTOR DRIVE WIDE TELE REMOTE VIDEO IRIS-REMOTE C-mt METAL PRESET ND PC SERVO F1.6 RoHS**  
 -Y41 -ZP1 -ZP1

Applicable to <b>2/3</b>		Applicable to <b>2/3</b>	
		<b>H22x11.5B-Y41</b>	<b>H22x11.5R2D-ZP1</b>
Focal Length (mm)		11.5 - 253(22x)	
Iris Range		F1.6 - T2000(Equivalent to F2000)	
Operation	Zoom	Motor Drive	Servo Control
	Focus	Motor Drive	Servo Control
	Iris	Auto(Video Type), Remote*1	Auto(Video Type), Remote*1 or Servo Control
Angle Of View (H×V)	2/3" WIDE TELE	41° 52' × 32° 01' 2° 00' × 1° 30'	
Focusing Range (From Front Of The Lens) (m)		∞ - 3	
Object Dimensions at M.O.D.(H×V) (mm)	2/3" WIDE TELE	2213 × 1660	
		101 × 75	
Back Focal Distance (in air) (mm)		36.16	
Exit Pupil Position (From Image Plane) (mm)		-103	
Filter Thread (mm)		M82 × 0.75	
Mass (kg)		2.3	2.5
Wiring Diagram		P26	

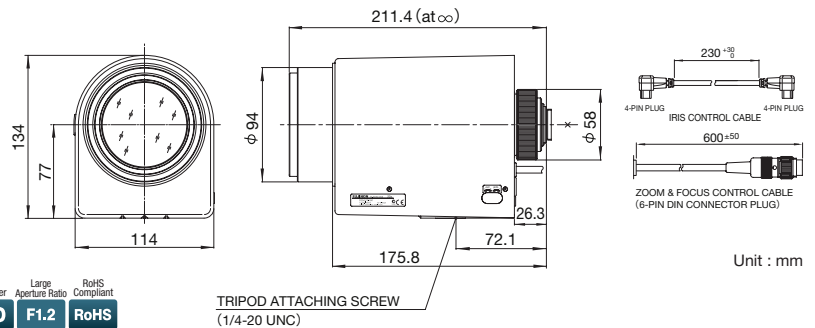
\* 1 : For details on the Iris-Remote connection, see the relevant Technical Reference (Page 27).

## D22x9.1 Series

Applicable camera (model) **1** **2/3** **1/2** **1/3** **1/4**

**22x**

Applicable to **1/2**



Unit : mm

**Day Night**

D22x9.1R2D-V41 Series  
 Zoom Motor Drive Wide Angle Telephoto Long Focal Video Auto Iris C Mount Metal Mount Potentiometer ND Filter Large Aperture Ratio RoHS Compliant  
**ZOOM MOTOR DRIVE WIDE TELE VIDEO C-mt METAL PRESET ND F1.2 RoHS**  
 -Y41

Applicable to <b>1/2</b>		Applicable to <b>1/2</b>	
		<b>D22x9.1B-Y41</b>	<b>D22x9.1R2D-V41</b>
Focal Length (mm)		9.1 - 200(22x)	
Iris Range		F1.2 - T1500 (Equivalent to F1500)	
Operation	Zoom	Motor Drive	Motor Drive
	Focus	Motor Drive	Motor Drive
	Iris	Auto(Video Type)	Auto(Video Type) or Remote*1
Angle Of View (H×V)	1/2" WIDE TELE	38° 45' × 29° 33' 1° 50' × 1° 23'	
Focusing Range (From Front Of The Lens) (m)		∞ - 3	
Object Dimensions at M.O.D.(H×V) (mm)	1/2" WIDE TELE	2034 × 1526	
		93 × 69	
Back Focal Distance (in air) (mm)		23.93	24.05
Exit Pupil Position (From Image Plane) (mm)		-676	-672
Filter Thread (mm)		M82 × 0.75	
Mass (kg)		2.3	2.5
Wiring Diagram		P26	

\* 1 : For details on the Iris-Remote connection, see the relevant Technical Reference (Page 27).