

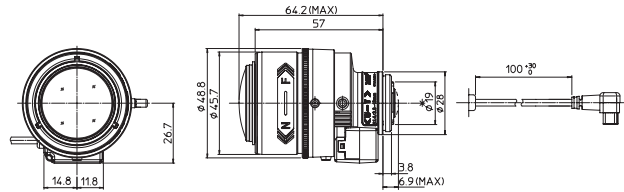
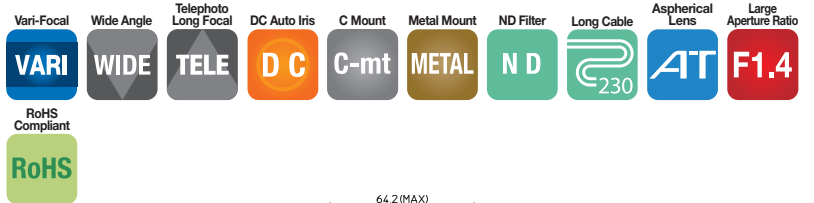
HD Vari-Focal(3.8-13mm)

DV3.4x3.8SA-SA1

3.4x Applicable camera (model) 1 2/3 1/2 1/3 1/4 For Security



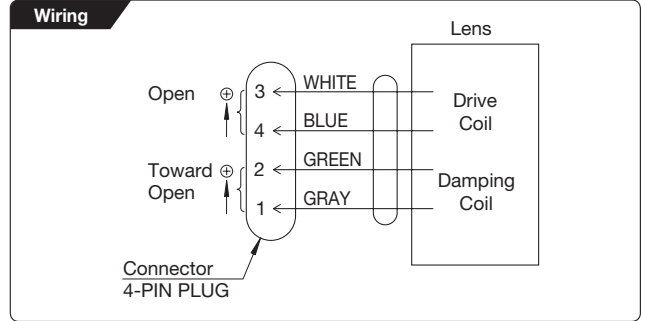
* Photograph is a similar model.



Unit : mm

DV3.4x3.8SA-SA1

Focal Length (mm)		3.8 - 13 (3.4x)	
Iris Range		F1.4 - T360(Equivalent to F360)	
Operation	Zoom	Manual	
	Focus	Manual	
	Iris	Auto (DC type) ^{*1}	
Angle Of View (HxV)	1/2"	WIDE	97°34' × 71°47'
		TELE	28°23' × 21°18'
	1/3"	WIDE	71°47' × 53°25'
		TELE	21°18' × 15°59'
	1/4"	WIDE	53°15' × 39°41'
		TELE	15°59' × 11°59'
Angle Of View (HxV) Aspect Ratio 16 : 9	1/2"	WIDE	107°12' × 58°10'
		TELE	30°55' × 17°25'
	1/3"	WIDE	78°34' × 43°18'
		TELE	23°12' × 13°04'
	1/4"	WIDE	58°10' × 32°20'
		TELE	17°25' × 9°48'
Focusing Range (From Front Of The Lens) (m)			
∞ - 0.3			
Object Dimensions at M.O.D. (HxV) (mm)	1/2"	WIDE	715 × 452
		TELE	170 × 126
	1/3"	WIDE	452 × 313
		TELE	126 × 94
	1/4"	WIDE	313 × 225
		TELE	94 × 70
Object Dimensions at M.O.D.(HxV) (mm) Aspect Ratio 16 : 9	1/2"	WIDE	851 × 347
		TELE	185 × 103
	1/3"	WIDE	511 × 248
		TELE	138 × 77
	1/4"	WIDE	347 × 181
		TELE	103 × 57
Back Focal Distance (in air) (mm)		10.60	
Exit Pupil Position (From Image Plane) (mm)		461	
Filter Thread (mm)		-	
Mount		C	
Mass (g)		80	
Coil Resistance		Drive Coil	190Ω
		Damping Coil	500Ω
Current Consumption		23mA(Max.) at DC 4V	
Remarks		<ul style="list-style-type: none"> •With Metal Mount (*1) When power is turned off, iris will automatically close. DV3.4x3.8SA-SA1L : Long Cable Type(230mm) 	



[Lens Image]

