

T21Z5816PDC-CS

21X 5.8mm - 121.8mm F1.6
for 1/3 type Cameras, Motorized Zoom
CS-Mount

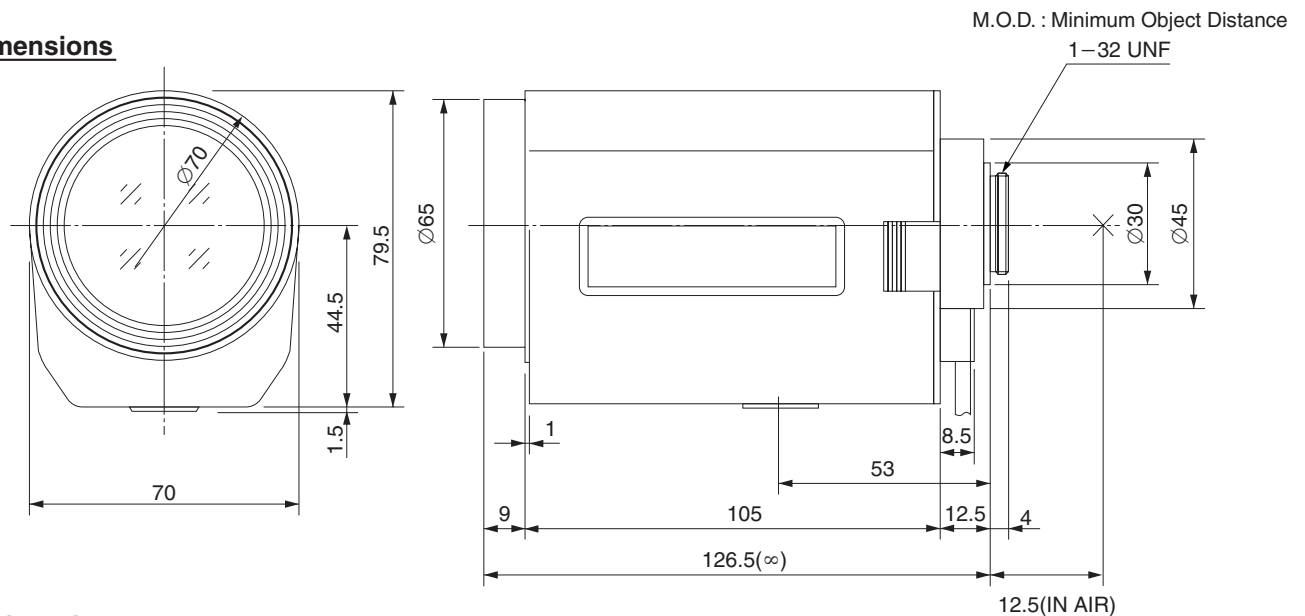
with DC Auto Iris and Preset

1/3
type

CS

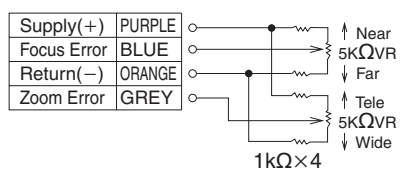
Model No.	T21Z5816PDC-CS		Effective	Front	Ø53.2mm	
Focal Length	5.8mm - 121.8mm		Lens Aperture	Rear	Ø10.6mm	
Max. Aperture Ratio	1:1.6		Back Focal Length	13.6mm		
Max. Image Format	4.8mm x 3.6mm(Ø6mm)		Flange Back Length	12.5mm		
Operation Range	Iris	F1.6 - F560C	Mount	CS-Mount		
	Focus	1.5m - Inf.	Filter Size	M62 P=0.75mm		
	Zoom	5.8mm - 121.8mm	Tripod Screw	1/4 - 20UNC		
Control	Iris	DC Auto Iris	Dimensions	W70mm x H81mm x D126.5mm		
	Focus	Motorized, Preset	Weight	690g		
	Zoom	Motorized, Preset				
Object Dimension at M.O.D.	5.8mm	123.7cm x 91.1cm				
	121.8mm	6cm x 4.7cm				
Angle of View	D	1/3 type	55.5° - 2.9°	1/4 type	42.0° - 2.2°	
	H		44.8° - 2.3°		33.8° - 1.8°	
	V		33.8° - 1.8°		25.3° - 1.3°	
	Iris		Focus		Zoom	
Supply Voltage	—		DC8V	DC8V		
Current	—		40mA or less	35mA or less		
Response Time	—		Approx. 4.5 sec.	Approx. 3.5 sec.		
Preset Potentiometer	—		5kQVR	5kQVR		
Coil	Drive	190Ω				
	Control	1000Ω				
Operating Temperature	-10°C - +50°C					

Dimensions



Wiring Diagram

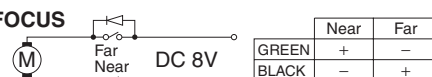
PRESET POTENTIOMETER



IRIS



FOCUS



ZOOM

