

H35Z1015AMS-MP

35X 10mm-350mm F1.5-F4.4
for 1/2 type Cameras, Motorized Zoom
C-Mount

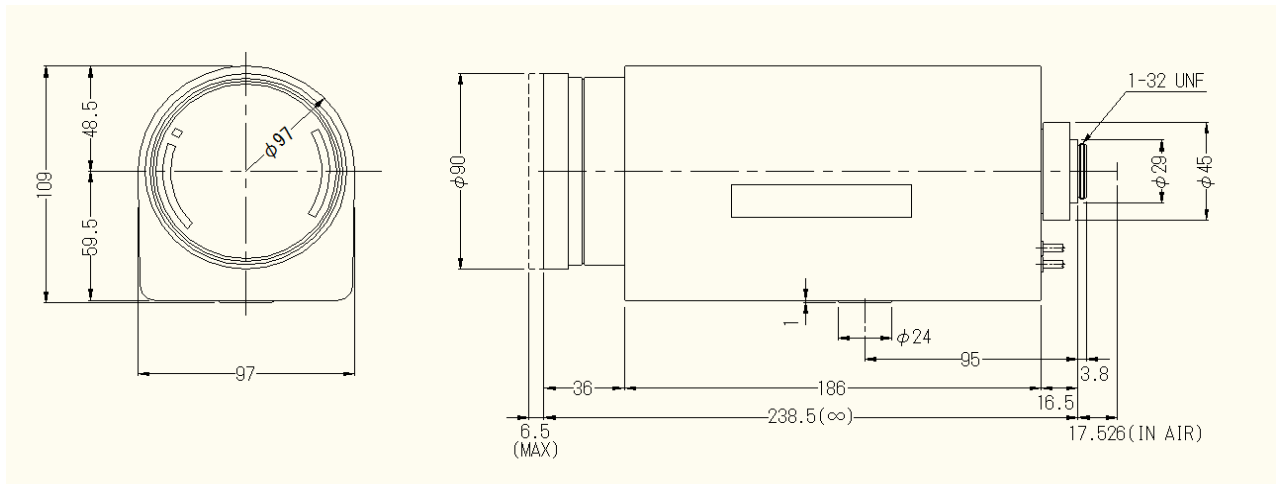
with Video Auto Iris

Model No.	H35Z1015AMS-MP		Effective Lens Aperture	Front	φ 80.1mm		
Focal Length	10mm - 350mm			Rear	φ 17.3mm		
Max. Aperture Ratio	1:1.5 - 4.4		Back Focal Length		14.48mm		
Max. Image Format	6.4mm x 4.8mm(φ 8mm)		Flange Back Length		17.526mm		
Operation Range	Iris	F1.5 - F1000 (W/ND Filter)		Mount	C-Mount		
	Focus	2.5m - Inf.		Filter Size	M86 P=0.75mm		
	Zoom	10mm - 350mm		Tripod Screw	1/4 -20UNC		
Control	Iris	Video Auto Iris		Dimensions	W97mm x H109mm x D238.5mm		
	Focus	Motorized		Weight	1830g		
	Zoom	Motorized					
Object Dimension at M.O.D.	10mm	112.1cm x 149.6cm					
	350mm	3.26cm x 4.34cm					
Angle of View	D	1/2 type	43.60° - 1.30°	1/3 type	32.90° - 0.98°	1/4 type	24.7° - 0.73°
	H		35.30° - 1.05°		26.70° - 0.79°		20.1° - 0.44°
	V		26.70° - 0.79°		20.10° - 0.59°		15.1° - 0.44°
		Iris	Focus		Zoom		
Supply Voltage	DC6-12V		DC6-12V		DC6-12V		
Current	40mA or less		40mA or less		40mA or less		
Response Time	4-8 sec.		Approx. 9 sec. (when 10V input)		Approx. 9 sec. (when 10V input)		
Preset Potentiometer	-		-		-		
Light Weighting method	Adjustable between Average-Peak (to be set at Average at Factory)						
Input Signal	Video Signal (V. or V.S.)						
Iris Accuracy	± 15% at Video Signal Level						
Sensitivity Adjustment	0.4V(p-p) - 1.0V(p-p) (Video Signal)						
Input Impedance	High Impedance						
Operating Temperature	-10°C - +50°C						

1/2 type

C

Dimensions



Wiring Diagram

Iris, Focus & Zoom

