

ULISSE2

UNIVERSAL FULL IP PTZ FOR IP CAMERAS



MAIN FEATURES

Full IP PTZ unit for complete management and control of IP ONVIF-S cameras
 60 Mbit/s video stream for 4K cameras
 Compatibility with motorised zoom lenses with common wire, polarity inversion, RS485 serial port and one push autofocus
 Direct access to third-party cameras via a browser, for setup and diagnostics as a single IP address
 Tested and certified from -40°C to +65°C (-40°F to +149°F), IP66 and NEMA Type 4x
 Wind resistance up to 220km/h (136mph)
 Continuous rotation up to 100°/s
 Unbeatable positioning accuracy: 0.02°
 Pre-arranged for the mounting of LED lights
 Sophisticated temperature control and demisting system
 Improved accessibility to connections for wiring and diagnostics
 Complete installation made easier by a single key (supplied)
 Maintenance free, 3 years warranty

OPTIONS

Add-on camera Full HD 1080p, 30x (4.3-129mm), 60fps, temperature up to +65°C (149°F)
 Anti-icing heated glass
 UPTIRN range of LED illuminators
 Versions with germanium windows for thermal cameras

DESCRIPTION

ULISSE2 is an outdoor full IP PTZ unit for control and management of all third-party IP cameras and thermal imaging cameras (ONVIF-S or those equipped with an RS485 serial port), with direct access via a browser to the camera's interface for setup and diagnostics.

Thanks to ONVIF-S protocols, the Full IP connectivity of the ULISSE2 allows you to network-control P&T plus all camera functions, including the wiper, washer pump, pre-sets, illuminator activation and setup, using the most popular VMS' on the market. The advanced protection technology used has allowed certain characteristics of the new PTZ to be enhanced, such as the temperature range of -40°C (-40°F) to +65°C (+149°F). The unit can be demisted with forced air and the temperature is constantly controlled, thus preventing condensation and guaranteeing an ideal operating temperature range for the camera.

The LED illuminators are easily integrated onto the P&T, even post-installation, without the need for additional power sources and independently of the unit's power supply. The second illuminator can be turned on at certain zoom parameters, pre-set positions or manually to avoid spotlighting a near-by subject or to control a floodlight. The PTZ is equipped with a wiper that, with the help of the optional washer kit, always keeps the camera window clean for perfect visibility in all weathers.

The efficient automatic self-test rapidly detects the state of the system and all reported events are stored in the internal log. A complete system backup is possible via the Micro SD slot.

Improved accessibility to connections allows you to carry out wiring and diagnostics quickly and easily, without dismantling the product. ULISSE2 can be completely assembled using a single hex key (supplied)



ULISSE2



ULISSE2+BRACKET UPTIRNBKT+ILLUMINATORS UPTIRN

TECHNICAL DATA**GENERAL**

Constructed from aluminium and tecnopolymer
 Epoxypolyester powder painting, RAL9002 colour
 Top mount (OTT)
 Transmission through toothed belt with zero backlash
 Slip-ring
 Electronic limit switches
 Integrated wiper
 Micro SD slot for configuration and log storage

MECHANICAL

Cable glands: 2xM20 + 1xM16 + unique seal for RJ45 cables
 Horizontal rotation: continuous
 Vertical rotation: +90° to -40°

- Pan variable speed: from 0.02°/s up to 100°/s (from 0.02°/s up to 50°/s with illuminators)
- Tilt variable speed: from 0.02°/s up to 50°/s (from 0.02°/s up to 50°/s with illuminators)

 The unit automatically reduces the speed according to zoom with Add-on camera and motorised lenses with potentiometer
 Accuracy of preset positions: 0.02°
 Extremely smooth movement
 Reading via ONVIF of the pan/tilt/zoom position
 Internal usable area (WxHxL): 100x100/60x414mm (3.9x3.9/2.4x16.3in) (See drawings)
 Unit weight: 20.4kg (45lb)
 Housing with side-opening
 Installation made easier with a single hex key and captive screws
 Temperature-controlled forced air creates an anti-condensation system for the window
 De-icing system with self-heating glass, 7W max (optional)
 Housing equipped with forced-air ventilation
 Zero compensation on mechanical horizontal axis (pan offset)
 User configurable electronically limits for vertical and horizontal axis

HOUSING WINDOWS

Window for Megapixel cameras: (WxH) 125 x 91 mm
 Germanium window usable diameter: 61mm

- Thick: 2mm (0.07in)
- External treatment: scratch resistant Hard Carbon Coating (DLC) + non-reflective
- Internal treatment: non-reflective
- Spectral range: from 7.5µm up to 14µm
- Medium transmittance from 7.5µm up to 11.5µm: 90%
- Medium transmittance from 11.5µm up to 14µm: 77%

 Germanium window usable diameter: 66 mm

- Thick: 4mm (0.2in)
- External treatment: scratch resistant Hard Carbon Coating (DLC) + non-reflective
- Internal treatment: non-reflective
- Spectral range: from 8 µm up to 14µm

ELECTRICAL

Power supply/Current consumption:

- 230Vac +/-10%, 1.1A, 50/60Hz
- 24Vac +/-10%, 10A, 50/60Hz
- 120Vac +/-10%, 2A, 50/60Hz

Power consumption:

- 27W, P&T static, heating switched off, without camera
- 34W, P&T static, heating switched off, 30x camera
- 49W, P&T in motion, heating switched off, 30x camera
- 97W, P&T in motion, heating switched on, illuminators off
- 157W, P&T in motion, heating switched on, illuminators lit, 30x camera

Signal cable dimensions: from 1.5mm² (16AWG) up to 0.5mm² (20AWG)

Self-powered alarm inputs: 4

Relay outputs: 2 (1 A, 30 Vac/dc max)

NETWORK

Ethernet connection: 100 Base-TX

- Network protocols: IPv4, HTTP, Bonjour, DNS, NTP, RTSP, RTP, TCP, UDP, IGMP, RTCP, ICMP, DHCP, ARP, ONVIF profile S
- Supported protection systems: password protection (digest-authentication and ws-security)

ENVIRONMENT

Indoor/Outdoor

Operating temperature: from -40°C (-40°F) up to +65°C (149°F)

Intervention threshold of the "cold start" function: from -40°C (-40°F) up to -10° (14°F)

Relative Humidity 10-95% (no condensation)

Wind resistance stationary: 220km/h (136mph) max

Wind resistance operational at the maximum speed with LED illuminators: 87 mph (140 km/h)

CERTIFICATIONS

Electrical safety (CE): EN60950-1, IEC60950-1

Electromagnetic compatibility (CE): EN50130-4, EN61000-6-4, EN55022 (Class A), EN55032 (Class A), FCC Part 15 (Class A)

Outdoor installation (CE): EN60950-22, IEC60950-22

IP protection degree: EN60529, IP66

Salty fog resistance: EN50130-5, EN60068-2-52

UL certification: cULus Listed, TYPE 4X (Only 24 Vac and 120 Vac versions)

EAC certification

Vibration test: EN50130-5 Cl. 22 e Cl. 23 (EN60068-2-6)

SPECIFICATIONS OF THE CAMERAS THAT CAN BE INSTALLED

Possible Modes of communication with the IP camera:

- camera controlled by P&T via ONVIF-S (PTZ Master)
- P&T controlled by camera via RS485 serial port (Camera Master)

Selection of the communication mode with the IP camera: via dip-switch

Nominal bitrate of the video stream (total of the whole camera stream) 60 Mbit/s

IP camera configuration via direct connection to the camera's web page

PTZ control (only with Camera Master mode): RS485, Pelco-D protocol, baudrate 9600

Camera power supply: 12 V, 1.5 A max with "cold start" function

Lens motor power supply: 6-9-12-15 Vdc, 200 mA max

Lens potentiometer power supply: 5 V, 15 mA max

Lens control: common ZF line, separate ZF line or RS485

Autofocus motorised lens trigger: relay

Autofocus lens trigger management: 500 m/s pulse, 15 s pulse, normally open, normally closed

Day/Night camera synchronisation: ONVIF or relay

Camera I/O export (only with Camera Master mode): 1 self-powered input, 1 output

Maximum weight of camera + lens: 2.3 KG

OPTIONAL VIDEOTEC CAMERA ADD-ON (CODE CAMHD30X)

Day/Night Full HD 30x

Image Device: 1/2.8 type Exmor™ CMOS sensor

Effective Pixels: approx. 2.38 Megapixels

Minimum Illumination, color (ICR-OFF):

- 1.4lx, 1/30s, 50 IRE (Normal mode)
- 0.35lx, 1/30s, 50 IRE (High sensitivity mode)
- 0.19lx, 1/3s, 50 IRE (Normal mode)
- 0.05lx, 1/3s, 50 IRE (High sensitivity mode)

Minimum Illumination, B/W (ICR-ON):

- 0.05lx, 1/30s, 50 IRE (Normal mode)
- 0.013lx, 1/30s, 50 IRE (High sensitivity mode)
- 0.002lx, 1/3s, 30 IRE (High sensitivity mode)

Lens: f=4.3 mm (wide) ~ 129.0 mm (tele), from F1.6 to F4.7

Optical zoom: 30x (360x with digital zoom)

Horizontal Viewing Angle: 63.7° (wide end), 2.3° (tele end)

Minimum object distance: 10mm (wide) ~ 1200mm (tele)

Electronic Shutter: 1/1 to 1/10000 s, 22 steps

White balance: Auto, ATW, Indoor, Outdoor, Outdoor Auto, Sodium vapor lamp (Fix, Auto, Outdoor Auto), One-push, Manual

Gain: Auto, Manual, Gain Limit (from 3dB up to 43dB, steps: 3dB)

Wide Dynamic Range: On/Off/Visibility enhancer, Light level, Brightness compensation selection, Compensation level

Focus System: Auto (Sensitivity: Normal, Low), Manual, PTZ trigger

Exposure Control: Auto, EV Compensation, Manual, Priority (Shutter priority, Iris priority), Brightness, Slow AE

S/N Ratio: 50dB

Wide-D (wide dynamic range): 130dB

De-fog: On/Off

Speed in proportion to zoom

Zone masking (pan angle or pan/tilt angles)

Electronic stabiliser

Operating temperature when installed in ULISSE2: up to +65°C (149°F)

EAC certification

UL listed

Unit weight: 0.9kg

ACCESSORIES

| | |
|-----------------|---|
| CAMHD30X | Add-on camera Full HD1080p, 30x (4.3-129mm), 60fps, temperature up to +65°C (149°F) |
| UPTBVTR | ULISSE2 housing upper part with anti-ice glass and wiper |
| UPTIRNBKT | Support for mounting of UPTIRN range of LED illuminators |
| WASPT3V23L30M00 | Water tank 23l (6 gal), pump with delivery up to 30m (98ft) with water floating, IN 120Vac |
| WASPT1V23L30M00 | Water tank 23l (6 gal), pump with delivery up to 30m (98ft) with water floating, IN 230Vac |
| WASPT0V23L11M00 | Water tank 23l (6 gal), pump with delivery up to 11m (36ft) with water floating, IN 230Vac-24Vac-120Vac |
| WASPT0V23L5M00 | Water tank 23l (6 gal), pump with delivery up to 5m (16ft), IN 230Vac-24Vac-120Vac |
| WASPT0V5L5M00 | Water tank 5l (1 gal), pump with delivery up to 5m (16ft), IN 230Vac-24Vac-120Vac |
| UPTJBUL | Junction weatherproof box for cables connexion (according UL norm) |
| UPTIRN60WA00 | LED illuminator for ULISSE, 60°, white light, 24Vac - 12/24Vdc |
| UPTIRN30WA00 | LED illuminator for ULISSE, 30°, white light, 24Vac - 12/24Vdc |
| UPTIRN10WA00 | LED illuminator for ULISSE, 10°, white light, 24Vac - 12/24Vdc |
| UPTIRN309A00 | LED illuminator for ULISSE, 30°, 940nm, 24Vac - 12/24Vdc |
| UPTIRN109A00 | LED illuminator for ULISSE, 10°, 940nm, 24Vac - 12/24Vdc |
| UPTIRN608A00 | LED illuminator for ULISSE, 60°, 850nm, 24Vac - 12/24Vdc |
| UPTIRN308A00 | LED illuminator for ULISSE, 30°, 850nm, 24Vac - 12/24Vdc |
| UPTIRN108A00 | LED illuminator for ULISSE, 10°, 850nm, 24Vac - 12/24Vdc |

BRACKETS AND ADAPTORS

| | |
|----------|---|
| WCWGC | Corner mount adaptor |
| PTCC1 | Pole mount adaptor |
| UPTWBTAB | Parapet bracket with internal cable channel |
| UPTWBA | Wall bracket with internal cable channel |

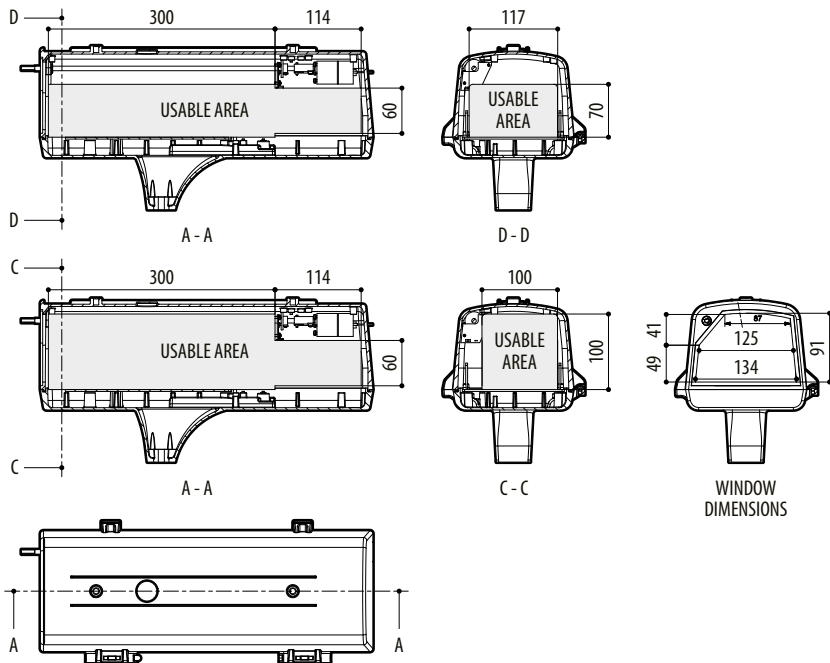
PACKAGE

| Model Number | Weight | Dimensions (WxHxL) | Master carton |
|--------------|--------------|-------------------------|---------------|
| UPTB1SWA00A | 26kg (57lbs) | 59x78x42cm (23x31x17in) | - |

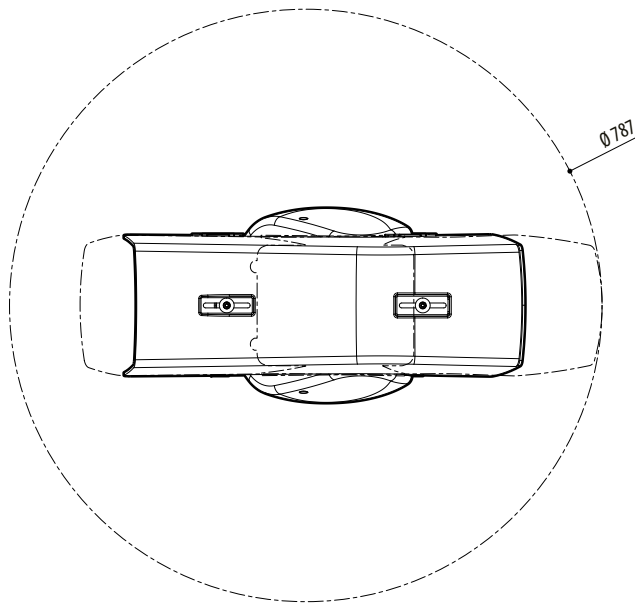
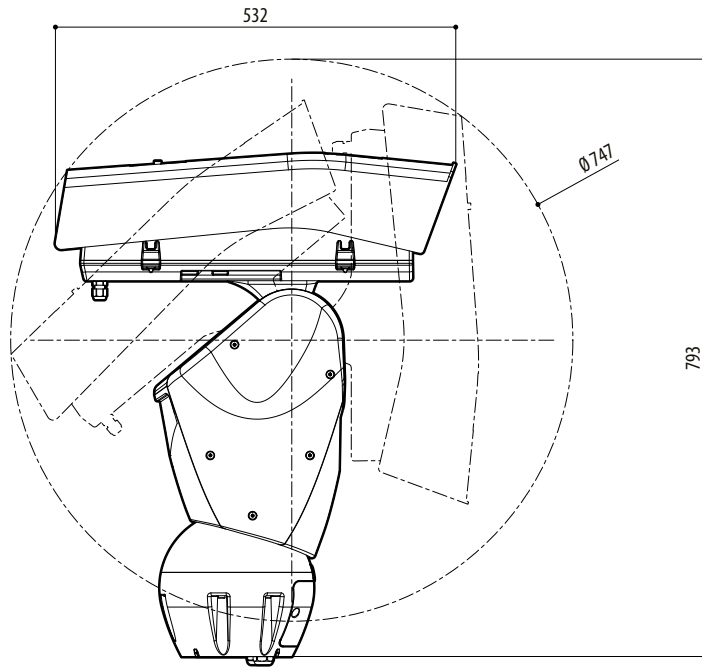
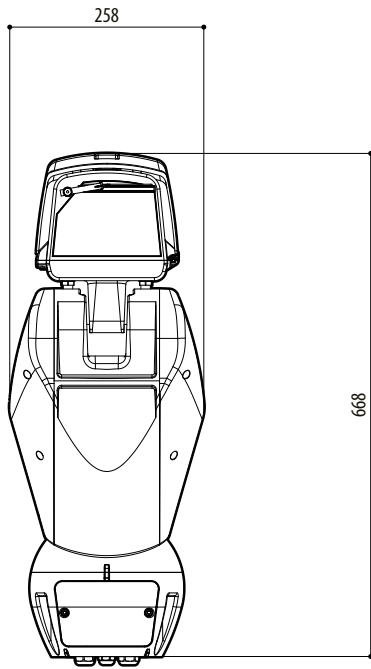
| ULISSE2 - CONFIGURATION OPTIONS | | | | | |
|---------------------------------|-----------------|-------------------------|--|----------|------------|
| | Voltage | Camera | Options | | |
| UPTB | 1 230Vac | S Without camera | W With wiper | A | 00A |
| | 2 24Vac | | G With Ø66mm germanium window for thermal cameras | | |
| | 3 120Vac | | T With Ø61mm germanium window for thermal cameras | | |

TECHNICAL DRAWINGS

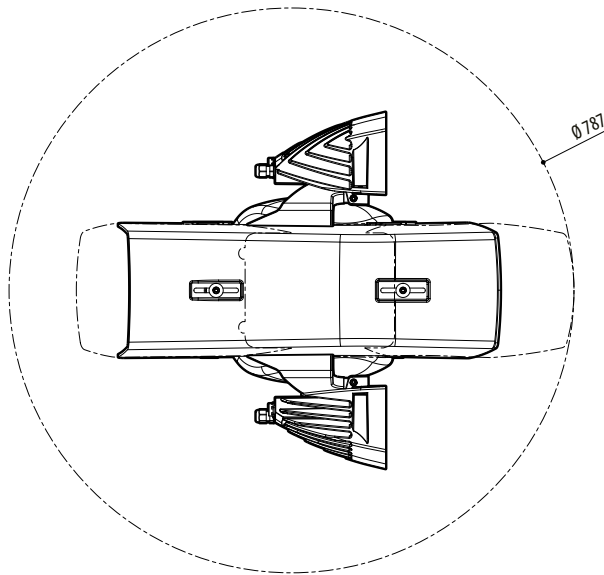
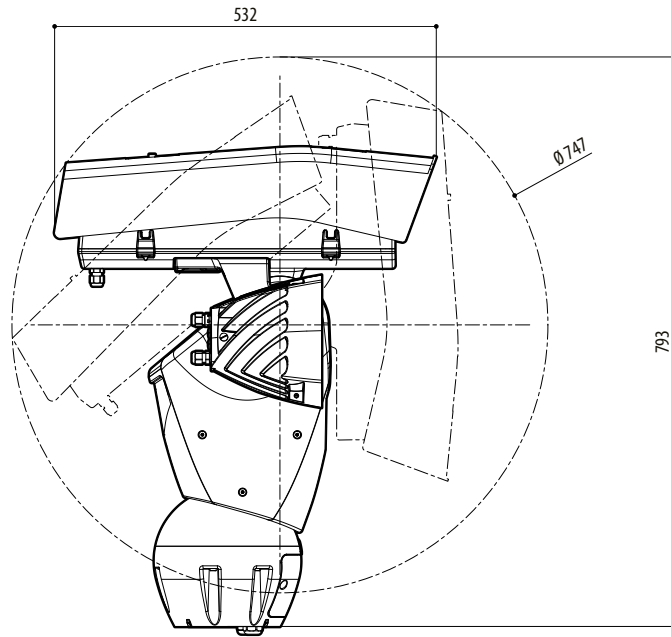
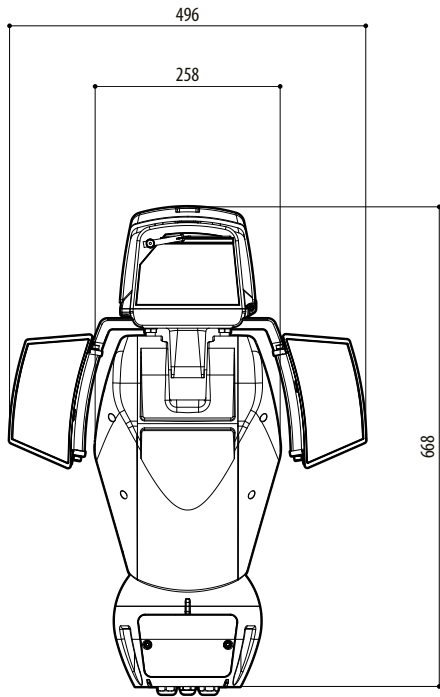
Sizes in millimeters.



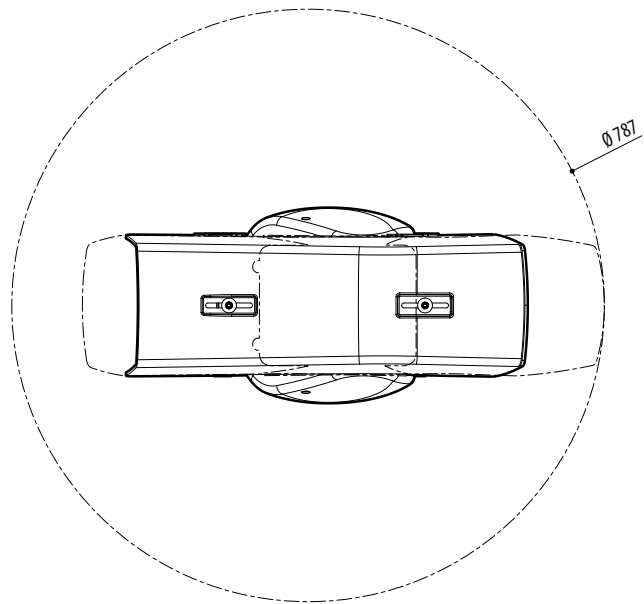
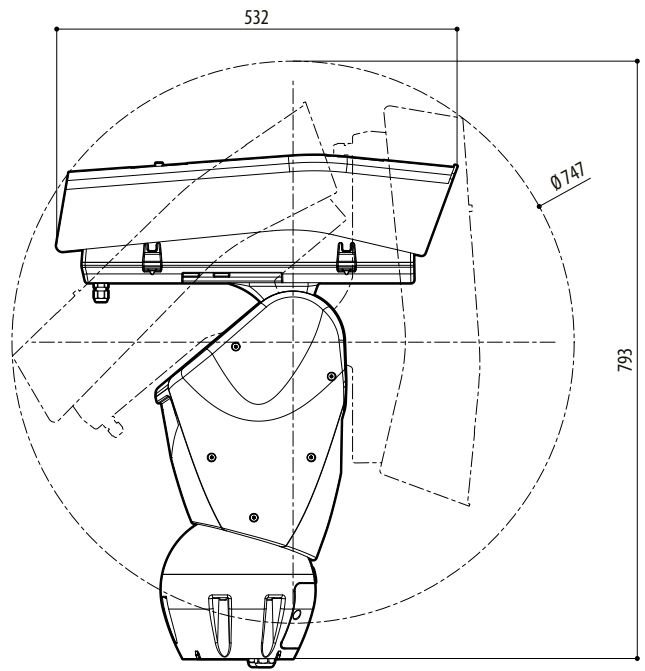
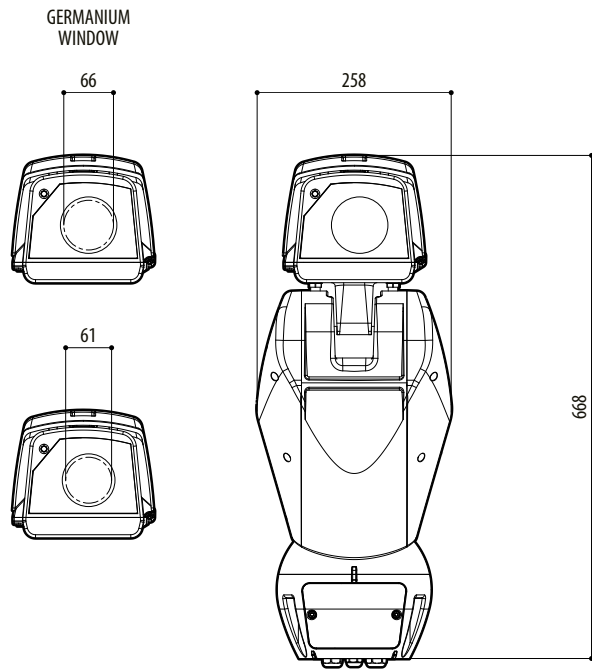
ULISSE2, HOUSING



ULISSE2



ULISSE2, VERSION PRE-ARRANGED FOR THE INSTALLATION OF TWO LED ILLUMINATORS



ULISSE2, VERSION FOR THERMAL CAMERAS

