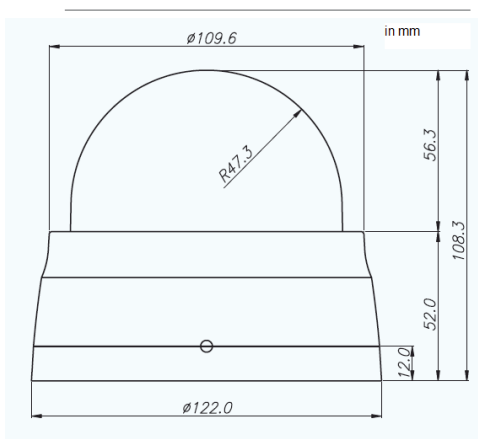




The performance features at a glance

- Colorcamera, Day/Nightcamera, WDR camera
- 3,0mm - 9,0mm DC-Iris
- 1/3" Sony HAD II CCD / Pixim CMOS
- 12VDC / 24VAC
- 3-Axis modul
- 600 TVL / 690 TVL (WDR version)



High versatility

The dome cameras of the 8039 series impress with an extraordinary image quality, also thanks to the integrated 3.0 – 9.0 lens. Many fields of application can be covered by the high-quality dome camera on the basis of the aforementioned.

Outstanding advantages

You can choose whether the camera is to be operated with 12VDC or 24VAC. The orientation can be adjusted exactly thanks to the 3 axis mechanism. This way, you can adjust the ideal perspective.

High-performance technology

Depending on the requirements, the ZC-D8039 series offers different models; in this case, you can select between the colour camera variant ZC-D8039PBA or the ZC-DN8039PBA with mechanical day/night switch-over. The ZC-DWN8039PBA additionally has a WDR function.

Other special features

If required, use the comprehensive accessories if the circumstances require a special installation. Furthermore, it is possible to integrate a two-wire transmitter.

Order data

Order number	Product description
ZC-D8039PBA ZC-DN8039PBA mechan. Day/Night ZC-DWN8039PBA plus WDR	Domecamera with Vario-Lens 3,0 - 9,0 mm, DC-iris, 1/3" IT-CCD/CMOS, 600/690 TVL, 3-axis module, 12 VDC/24 VAC

Advantages for the installer

Installation and setup are implemented quickly. By means of an OSD you can implement required settings directly on the camera. The result can be checked immediately by connecting a service monitor such as the ZM-L406P-II.

Technical specifications	ZC-D8039PBA	ZC-DN8039PBA	ZC-DWN8039PBA
Videosystem	PAL		
Scanning system	2 :1 Interlaced		
Sensor	1/3" Sony HAD II CCD		1/3" Pixim CMOS
Effective pixel (H x V)	752 (H) x 582 (V)		
Videoutput	1.0Vp-p 75 Ohm BNC		
Horizontal lines	600 TVL		690 TVL
Minimal illumination (50IRE)	0,4 lux	0,04 lux	
Day-/Nightswitching	Elektronical	Mechanical	
Lens	3,0 mm - 9,0 mm		
Angle of view (hor.)	90° - 31,8°		
Elektronic Shutter	1/50, FLK, 1/50 ~ 1/100000		
White balance	ATW1, ATW, AWC, Manual		
WDR	Yes (digital)		Yes
HLC	Yes		
Motion detection	Yes		
Privacy Masking	Yes		
DNR	Yes (2D)		
Signal-to-noise ratio	>50 dB		
Operating voltage	12V DC / 24V AC		
Power consumption	1,8 Watt @ 12VDC, 2,5 Watt @ 24VAC		
Operating temperature	-10°C - 50°C		
Dimensions (Ø x H)	122mm x 109.6mm		
Weight	280g		