



OPERATING INSTRUCTIONS

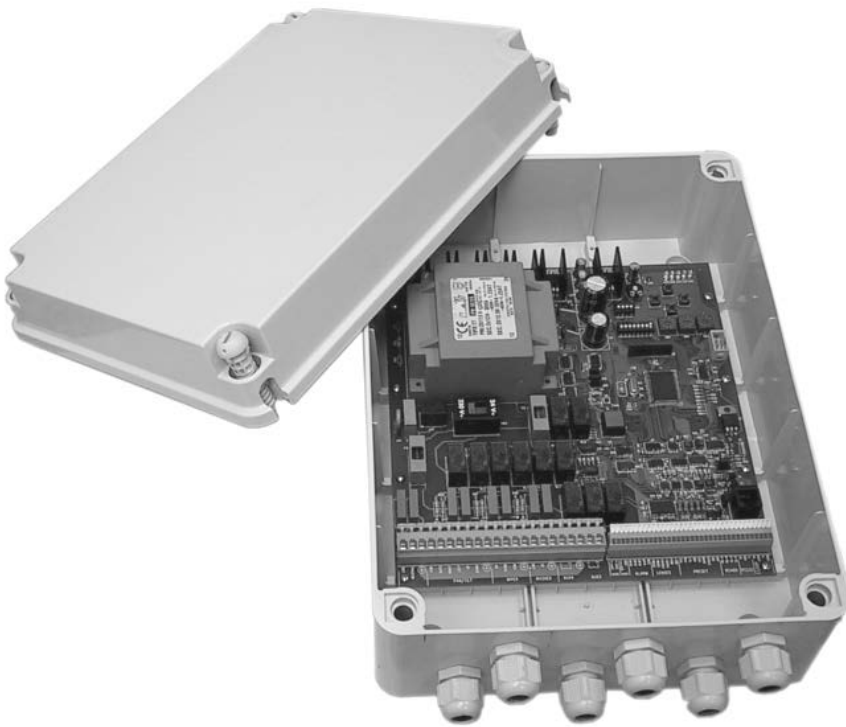
MANUALE D'USO

MANUEL D'INSTRUCTIONS

BEDIENUNGSANWEISUNG

РУКОВОДСТВО ПО ЭКСПЛУАТАЦИИ

DTRX3 - DTRX324



OPERATING INSTRUCTIONS

DTRX3 - DTRX324

INDEX

INDEX	1
INTRODUCTION	3
Contents of the packaging	3
Contents of this manual	3
Typographical conventions.....	3
SAFETY RULES	3
OPERATING DATA ON THE RATING PLATE	4
DESCRIPTION OF THE DTRX3 RECEIVER	4
Features	4
Compatible devices for the use with the DTRX3 receiver	5
Installation examples.....	5
Cables	6
INSTALLATION	7
Unpacking	7
Control of the operating data on the rating plate	7
Dip-switches and configuration jumpers.....	7
CONFIGURATION OF THE RECEIVER	8
Identification number of the receiver	8
DTRX3 receiving mode	8
Setting of RS485 line load.....	8
Type of lenses used	9
Setting the protocol and the communication speed	9
Control voltage of the positioning device and the wiper	10
AUX3 / AUX4 auxiliary devices	10
Connection with the control unit	10
Connection with the RS485 line	11
<i>Connecting more than one receiver in cascade (point-to-point connection)</i>	11
<i>More than one receiver per line, connection with twisted pair cable (multipoint connection)</i>	12
<i>Mixed configurations (point-to-point / multi-point)</i>	13
Connection with the Current Loop line	13
Connection with the RS232 line	14
Adjusting the voltage of the optics controls	15
Connecting the pan&tilt and optics cables	15
SETTING THE RECEIVER FOR PRESET FUNCTIONS	15
TESTING THE DTRX3 RECEIVER	16
USE OF THE ALARM CONTACTS	17
Operation mode of AUX4	17
AUXILIARIES AUX1 AND AUX2	17
LOCAL KEYS FOR P&T MOTOR MOVEMENT	17
PELCO D CONTROLS RECOGNISED BY THE DTRX3 RECEIVER	18
SWITCHING ON AND SWITCHING OFF	19
MAINTENANCE	19

TROUBLESHOOTING	19
DIP SWITCH SW4 AND SW6 CONFIGURATION TABLES.....	20
TECHNICAL FEATURES	20
DESCRIPTION OF THE DTRX324 RECEIVER	21
Compatible devices for the use with the DTRX324 receiver	21
TECHNICAL FEATURES	22

The manufacturer assumes no responsibility for possible damages resulting from an improper use of the devices mentioned in this manual; moreover he reserves the right to change the contents of the present manual without notice. The documentation contained in this manual has been gathered and examined with great care; nevertheless the manufacturer can not assume any responsibility resulting from the use of such documentation. The same is valid for any other person or society involved in the creation and in the production of the present manual.

Introduction

Contents of the packaging

- 1 DTRX3 receiver
- 1 user's manual
- 2 PG11 blanking caps
- 4 wall mounts with relevant fastening screws

On delivery, please make sure that the packaging does not present damages or evident signs of falls or scratches. In case of evident damages, contact immediately the supplier.

Please, make sure that the contents correspond to the components list mentioned above.

Contents of this manual

This manual contains the description of the DTRX3 receiver, with the relevant installation, configuration and use procedures. **Before installing and using the receiver** it is necessary **to read carefully the present manual**, in particular the section concerning the safety rules.

Typographical conventions

The following section illustrates the meaning of the several graphic symbols used in the present manual:



Risk of electric shock; before proceeding with the operations, if not otherwise stated, disconnect the unit.



The operation is very important for the correct functioning of the system: please read carefully the procedure indicated and carry it out according to the prescribed specifications.



Description of the system features; we recommend reading carefully the sections marked with this symbol in order to understand the phases which follow.

Safety rules



The DTRX3 receiver complies with the rules in force at the time of publication of the present manual as regards the electric safety, the electromagnetic compatibility and the other general requirements.

Nevertheless we would like to assure the users (installer and operator) illustrating some measures to be adopted in order to guarantee the maximum safety:

- The installation of the unit (and of the whole plant of which this unit is part) must be carried out by adequately skilled technical personnel
- The unit must be opened only by skilled technical personnel. The warranty limits does not cover damages resulting from an improper use of the unit
- Connect the unit to a power supply corresponding to the one indicated on the rating plate (see next section *Operating data on the rating plate*)
- The outlet must be adequately grounded according to the rules in force
- Before moving or carrying out technical operations on the unit, disconnect it
- Do not use worn or damaged power cords, since they represent a serious risk for the user's safety
- Do not use the device in areas containing inflammable substances
- Equipment must be opened only by skilled technical personnel in a non explosive atmosphere. The warranty limits does not cover damages resulting from an improper use of the unit.
- Do not allow children or unskilled persons to use the unit
- Make sure that the unit is fixed securely and firmly
- The unit is considered off-line only when the power supply is disconnected and the cables aimed to connect the unit with other devices have been removed
- Before feeding the DTRX3 a protection device must be installed in the building electrical network
- For the after-sales service, please contact exclusively the authorised technical personnel
- Keep the present manual with care for any future consultation

Operating data on the rating plate



The DTRX3 receiver is supplied with two rating plates in conformity with the EC standards.

The first plate contains:

- Model identification code (Extended 3/9 bar code)
- Power supply (Volt)
- Frequency (Hertz)
- Consumption (Watt)

The second plate indicates the serial number of the model (Extended 3/9 bar code).

During the installation phase, make sure that the power supply features of the receiver correspond to the characteristics required. The use of unsuitable devices can lead to serious risks for the safety of the personnel and the security of the plant.

Description of the DTRX3 receiver



The DTRX3 receiver is a microprocessor-based command receiver for the remote control of positioning devices, motorised lenses, wiper, washer and auxiliary functions.

Features

- 17 functions: UP, DOWN, LEFT, RIGHT, AUTO, WASHER, WIPER, ZOOM TELE, ZOOM WIDE, FOCUS NEAR, FOCUS FAR, IRIS OPEN, IRIS CLOSE, AUX1, AUX2, AUX3, AUX4
- Power supplied to the camera: 12 V $\overline{=}$ max 350mA (AUX1) and 24 V \sim max 180mA (AUX2)
- 2 dry contacts 1 A 230 V \sim or 1A 24 V \sim (AUX3 and AUX4)
- 999 selectable addresses through dip switches or rotative switches
- Serial input selectable between RS-232 / Current Loop / RS485
- Selectable communication speed (38400 / 19200 / 9600 / 4800 / 2400 / 1200 / 300 Baud)
- RS232, RS485 and Current Loop repeater for in-line configuration
- Possibility of using both polarity inversion lenses and common wire lenses
- Led indicating power supplied to the unit
- Led indicating active function
- EEPROM for the storage of active options
- 16 bit microcontroller with re-programmable Flash memory
- Trimmer for the adjustment of the lens voltage (from 3 V $\overline{=}$ up to 12 V $\overline{=}$)
- PRESET / SCAN / PATROL functions with an automatic recognition of the existing functions
- Possibility to memorise up to 14 PRESET functions (Pan &Tilt motor, lens) with standard Videotec protocol and 40 positions with MACRO protocol and Pelco D protocol (DCJ, DCT, DCIR keyboards)
- 4 alarm contacts set as N.O. or N.C.

Compatible devices for the use with the DTRX3 receiver



WARNING! In case of using the DTRX324, refer to the paragraph 17. Compatible devices for the use with the DTRX324 receiver.

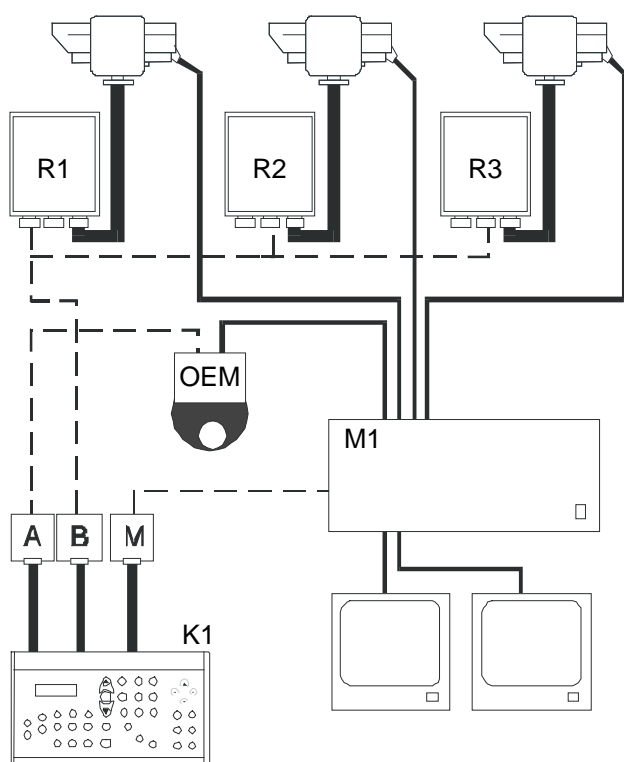
- Control keyboards: **DCT, DCJ, DCTEL, DCIR, DCS3, DCS2, DCMT8**
- Pan & Tilt motors: **PTH310/PTH310P, PTH311/PTH311P, PTH910/PTH910P, PTH911/PTH911P, NXPTH210, NXPTH211C**
- **DCMX**: communications controller
- **DCRE485**: serial data distributor

Read the instruction manuals for the correct use of the above mentioned devices.

Installation examples



A single operator with several monitors for the control of a set of positioning devices in mixed configuration:



DEVICES:

Control keyboard:

- 1 DCS3 control keyboard

Video management:

- 2 monitors
- 3 cameras (+1 OEM receiver)
- 1 video matrix SW328

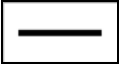
Telemetry management:

- 3 DTRX3 receivers
- 3 PTH910P P&T motors (PTH911P with DTRX324 receiver)
- 1 OEM receiver (with camera included)

Cables

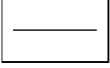


Different types of stroke have been used in the example, in order to indicate cables with different functions:



phone cable:

1,5 m equipped with the keyboard.



video cable:

RG 59 coaxial cable or equivalent cable.

For long distances a video transmission system on twisted pair is suggested.



multipolar cable:

each control function of the positioning device is activated /deactivated by a relay positioned inside the receiver.

Choose the final numbers of wires according to the following directions:

- 7 wires for the motion of the positioning device (230 V~ or 24 V~): right, left, up, down, autopan, common, ground (only for 230 V~)
- 6 wires for the control of polarity reversal lenses (zoom, focus, iris)
- 4 wires for the control of common wire lenses (zoom, focus, iris)
- 7 wires for the preset control: 5 wires connected to the reference potentiometers, +5 V⁼⁼ and ground
- 4 wires for the wiper
- 3 wires for the washer
- 2 wires for each auxiliary device used
- 3 wires for the power supply cable

Note: We recommend using different multipolar cables for high tension and low tension functions.

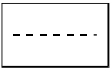
Minimum section area recommended: 0,56 mm² (AWG 20) for high tension wires

(positioning device, wiper, washer)

0,34 mm² (AWG 22) for low tension wires

(lens, auxiliary devices, preset)

0,75 mm² (AWG18) for power supply cable of DTRX3



cable for the digital reception/transmission of commands:

- 2 wires for the reception from the control unit (twisted telephone pair, section 0.22 mm.² AWG 24)
- 2 wires for the possible transmission to the next cascade-connected receiver (twisted telephone pair, section 0.22 mm² AWG 24)

Note: Maximum distance for the connection: about 15 m in RS232; 1500 m in Current Loop; 1200m in RS485.



WARNING! *If many receivers are cascade-connected, it is necessary to use two separated cables for the digital reception and transmission of commands (do not use multicouple cable) between the receivers.*

Installation



The unit must be installed exclusively by skilled technical personnel.



Before carrying out the following operations, if not otherwise stated, always disconnect the unit.

Unpacking

If the packaging does not present evident faults (due to falls or anomalous scratches), make sure that its contents correspond to the list of items contained in paragraph *Contents of the packaging*, in section *Introduction*.

The container is completely made of recyclable material. The installer will take care to dispose it according to the recycling programs or, in any case, according to the rules in force in the country of destination.

Control of the operating data on the rating plate

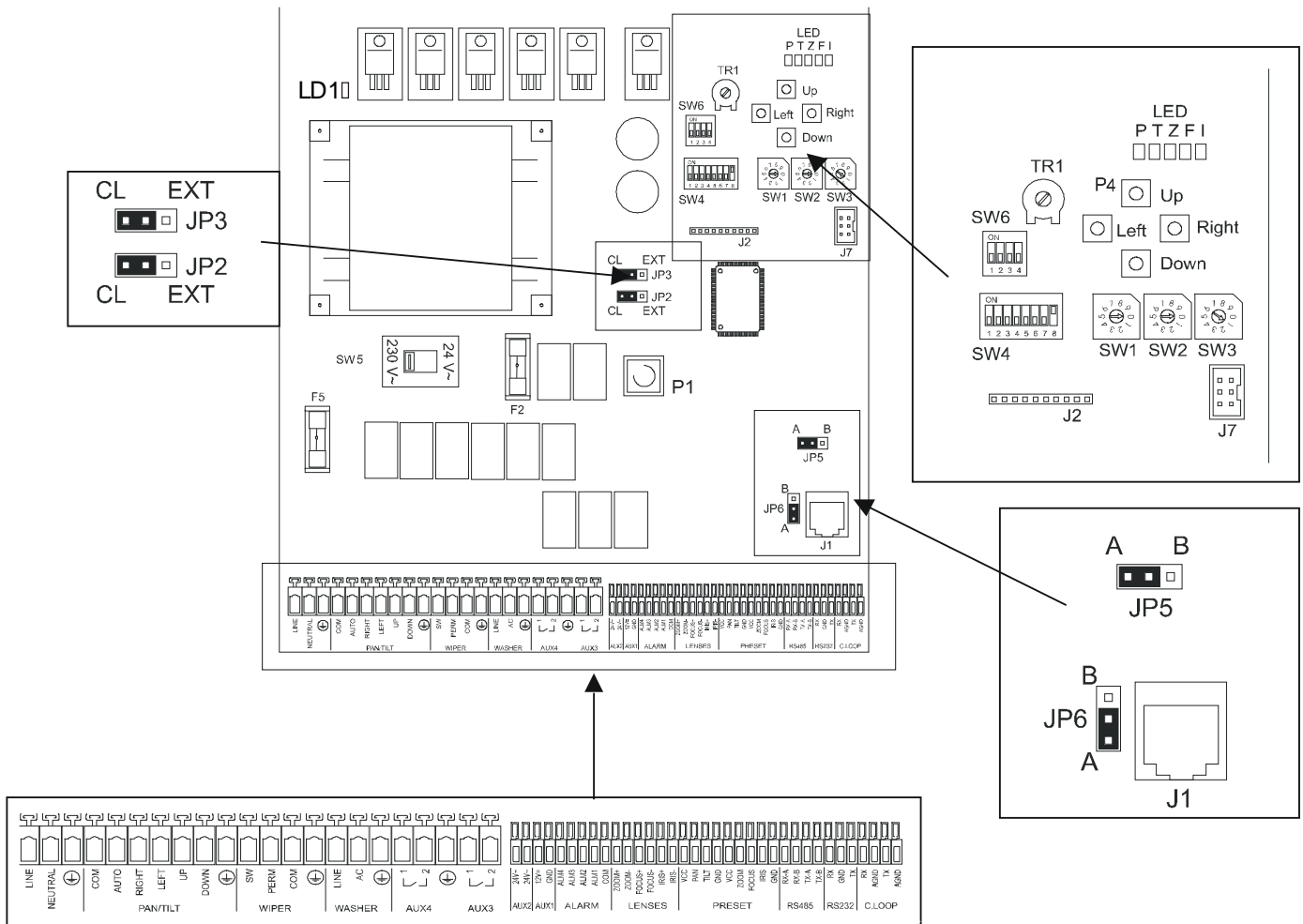


Before installing the unit, control if the goods supplied correspond to the required specifications by examining the rating plates, according to the section *Operating data on the rating plate*. Never make alterations or connections not provided for in the present manual: the use of unsuitable devices can lead to serious risks for the safety of the personnel and the security of the plant.

Dip-switches and configuration jumpers



In the following scheme identify Dip switches and configuration jumpers :



Configuration of the receiver



The receiver configuration phase allows to optimise its functioning according to the particular requirements of the plant. The unit must be configured exclusively during the installation phase and by an installer.

We recommend proceeding with the configuration of the parameters in a systematic way in order to avoid installation troubles.

The parameters to set during the configuration phase are the following:

- Identification number of the receiver
- Receiving mode setup
- Type of lenses used
- Protocol and communication speed
- Control voltage of the positioning device and the wiper
- AUX3 / AUX4 auxiliary devices
- Connection with the control unit
- Control voltage of lenses
- Connection of the positioning device and the lenses cables
- Alarms setting
- Test of the receiver active functions (for PRESET operations)

Identification number of the receiver

Configure the SW1, SW2 and SW3 rotative-switches according to the address to assign to the receiver as follows:

SW1: hundred

SW2: ten

SW3: unit

Examples:

Receiver address n.359

Set SW1 to 3, SW2 to 5 and SW3 to 9

Receiver address n.27

Set SW1 to 0, SW2 to 2 and Sw3 to 7

Receiver address n.4

Set SW1 to 0, SW2 to 0 and SW3 to 4

DTRX3 receiving mode

According to the communication type to set follow the following settings:

Current Loop:	JP2 and JP3 to CL position
RS485:	see below (setting of RS485 line load)
RS232:	No setting needed

Setting of RS485 line load

Jumpers: JP5 and JP6

JP5 in A position:	load inserted in RS485 transmission.
JP5 in B position:	no load inserted in RS485 transmission.
JP6 in A position:	load inserted in RS485 reception.
JP6 in B position:	no load inserted in RS485 reception.

Type of lenses used



WARNING! An inaccurate setup of this parameters can cause damages to the lenses!

The DTRX3 receiver can control both polarity inversion lenses and common wire lenses. In case of common wire lenses connect the common wire to FOCUS-.

Setting the protocol and the communication speed



WARNING! An inaccurate protocol and/or communication speed selection can cause damages to the receiver.

The DTRX3 receiver can be used in digital transmission systems and it can communicate with a speed from 300 to 38400 baud, depending on the used protocol.

Dip switch: switches 1, 2 and 8 of SW4 and 1 of SW6.

Settings:

Protocol - Baud rate	SW6	SW4		
	Dip 1	Dip 1	Dip 2	Dip 8
Videotec - 300 baud	OFF	ON	OFF	ON
Videotec - 1200 baud	OFF	OFF	ON	ON
Videotec - 9600 baud*	OFF	OFF	OFF	ON
Videotec - 19200 baud	OFF	ON	ON	ON
MACRO - 1200 baud	OFF	OFF	ON	OFF
MACRO - 9600 baud	OFF	OFF	OFF	OFF
MACRO - 19200 baud	OFF	ON	ON	OFF
MACRO - 38400 baud	OFF	ON	OFF	OFF
Pelco D - 2400 baud	ON	OFF	OFF	**
Pelco D - 4800 baud	ON	ON	OFF	**
Pelco D - 9600 baud	ON	OFF	ON	**
Pelco D - 19200 baud	ON	ON	ON	**

NOTES:

* Default setting

** Switch setting is indifferent; ON or OFF

Control voltage of the positioning device and the wiper



WARNING! An inaccurate setup of this parameter can cause damages to the positioning device and to wiper!



This setting is not required for the DTRX324 receiver due to the fact that it supplies only a 24 V~ voltage.

Control the positioning device and the wiper working voltage.

Switcher: Switcher SW5

Settings:

- Pan & Tilt motor and wiper power supply in 24V~: SW5 in 24 V~ position
- Pan & Tilt motor and wiper power supply in 230V~: SW5 in 230 V~ position

AUX3 / AUX4 auxiliary devices

It is possible to set the functioning of the AUX3 /AUX4 auxiliary devices by setting the dip 6 of SW4 switch:

- dip 6 of SW4 switch set to OFF (default) position: the operator has to press the control key in order to activate the auxiliary device and then to press it again in order to deactivate it.
- Dip 6 of SW4 switch set to ON position: the auxiliary device remain activated as long as the operator keeps pressing the relevant control key.

NB: AUX4 can be activated also on alarm contact. For a careful description of this function see the relevant chapter of alarm contacts.

Connection with the control unit

The J1 connector (see figure of page 7) supplied to the circuit enables the reception and the transmission of digital data in RS232 or RS485 allowing a rapid connection of several units in case of test runs or for the connection of conversion interfaces available on the market (RS232-optical fiber...).

For the final connection we recommend using, in case of DCS3 control keyboard use, the RS485 mode with the relevant connection terminals (maximum distance of 1200 m.) or otherwise, in case of DCS2 control keyboard use, the Current Loop mode (maximum distance of 1500 m.).

Connection with the RS485 line

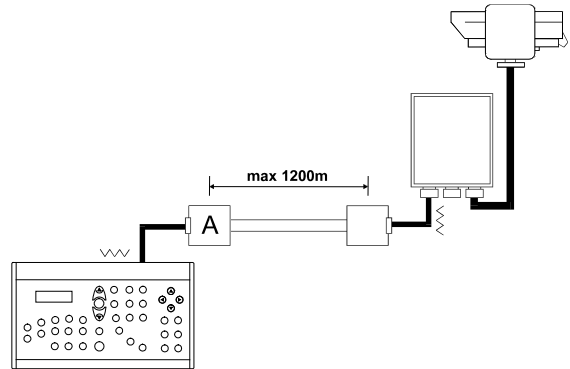
The keyboards DCS3, DCJ, DCT and DCTEL and the receiver DTRX3 can be directly connected using the telephone cable supplied by the manufacturer, using the RJ11 connector (J1 in the figure pag.7) present in the circuit and referring to the table given below.



Connection keyboard – receiver DTRX3

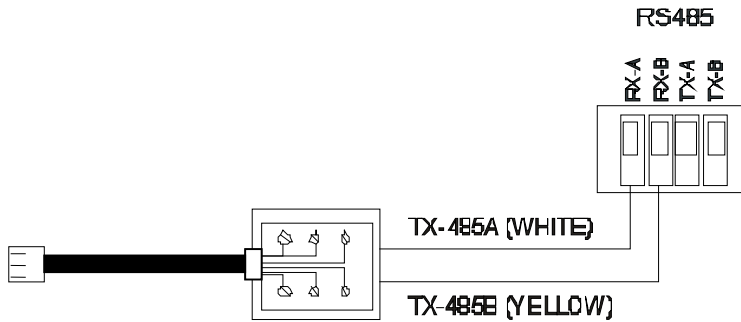
Communication mode RS485: max. distance 1200 metres

Keyboard (RJ11 A or B)		DTRX3
TX-485A White	-----	Blue RX-485A
TX-485B Yellow	-----	Black RX-485B

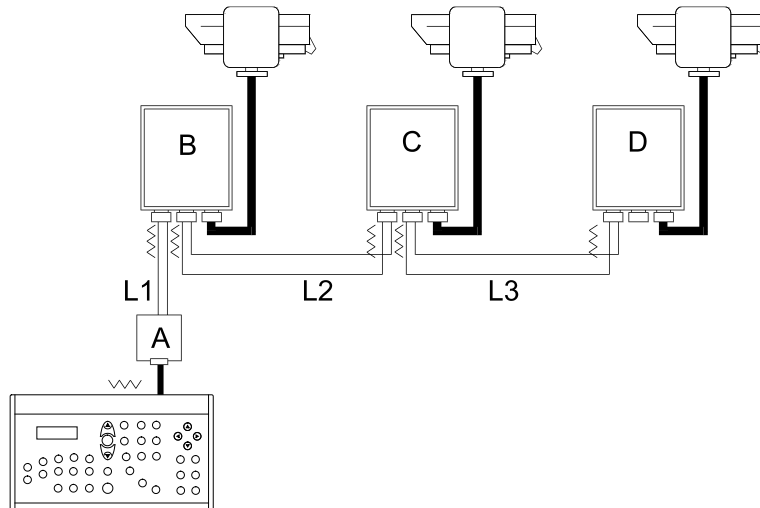


Note: The receiver DTRX3 has the load inserted in reception and is connected to line A or B on the keyboard with the load inserted.

On the receiver side it is also possible to make a simpler connection to terminals RX-485A and RX-485B as in the following scheme.



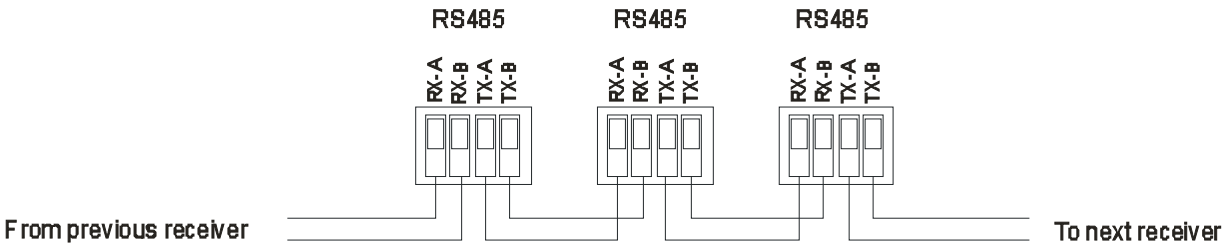
Connecting more than one receiver in cascade (point-to-point connection)



The receivers DTRX3 are able to regenerate the received signal internally and retransmit it along a new communication line to the subsequent receiver. Each of the three sections of line (L1, L2, L3) is considered independent, and connects only two devices point-to-point, each with inserted load, over a maximum distance of 1200 metres. The distance between the keyboard and receiver D can therefore be up to 3600 m (1200 m between keyboard and receiver B, 1200 m between receiver B and receiver C, and a further 1200 m between receiver C and receiver D, for a total of 3600 m).

	Keyboard	phone cable	RJ-Jack	DTRX3
RS485A	connectors	—————	white	RX-485A
RS485B	RJ11 'A' or 'B'		yellow	RX-485B

Note: Terminals RX-485A and RX-485B which have the load inserted, should be connected to terminals TX-485A and TX-485B respectively of the preceding unit, which also have the load inserted:

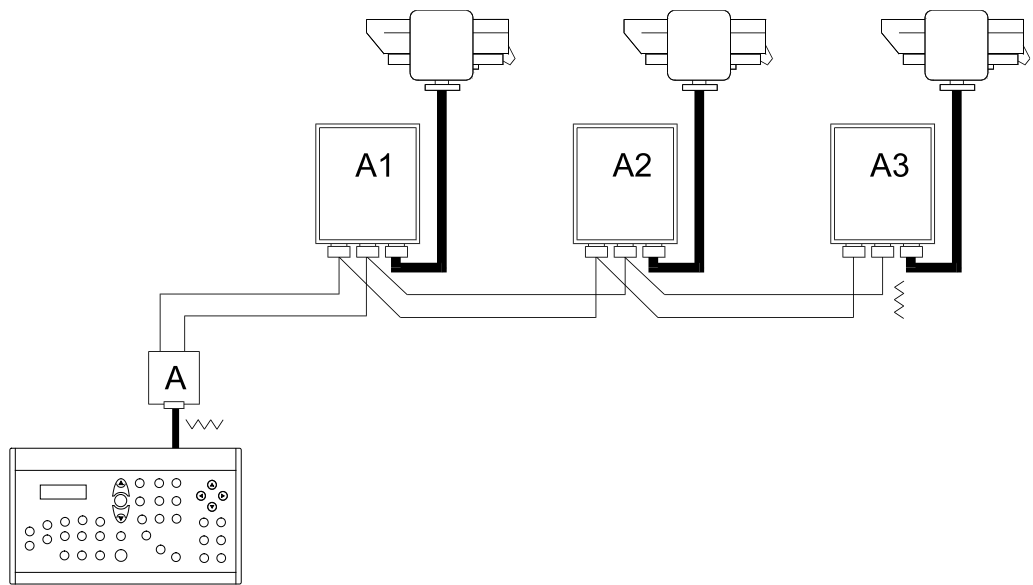


NB: For the connection in question (point-to-point) faulty operation of one of the receivers will switch off all the devices in cascade.

More than one receiver per line, connection with twisted pair cable (multipoint connection)

All receivers connected to the same line should use the same communication protocol RS485. For each of the lines the following remarks are valid:

- only one of the keyboards (that at one end of the line) has the load inserted
- only one of the receivers (at the other end of the line) has the load inserted
- the total length of the line should not exceed 1200 m



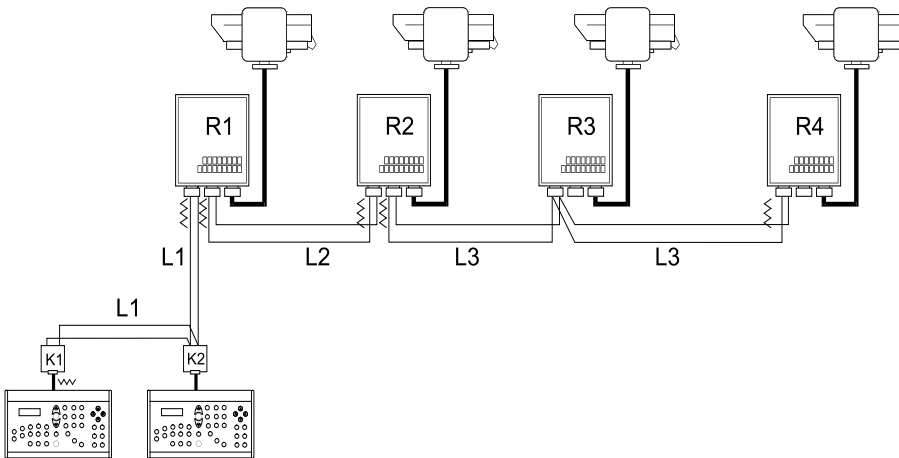
Line A on keyboard DCS3 has been used for communication with the telemetry. The ends (Keyboard - Receiver A3) should have the termination resistor inserted. Receivers A1, A2 should not have the termination resistor inserted. The maximum line length, from end to end (from the keyboard to receiver A3), is 1200 metres.

NB: For the connection in question (multi-point) faulty operation of one of the receivers will not influence the other receivers.

Mixed configurations (point-to-point / multi-point)

This is a combination of the two previous connection modes and, depending on the combination chosen, allows the user to exploit the advantages of the two types of connection to the utmost, significantly reducing the probability of faulty operation.

The following is an example of mixed connection:



In the example shown, if receiver R3 jams (multi-point connection in line L3) it will not cause faulty operation in receiver R4. R3 is not at the ends of line L3, and it is not therefore necessary to terminate it.

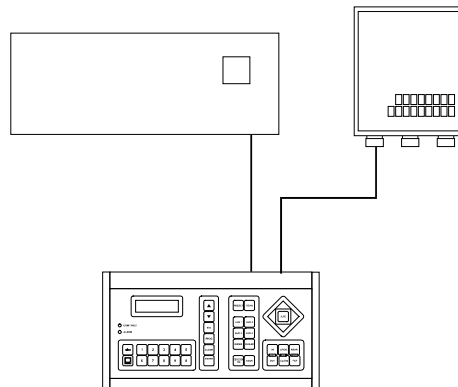
If receiver R2 jams, since it is the 'generator' of line L3, all receivers connected to it in cascade (R3 and R4) will not receive the commands.

Connection with the Current Loop line

The various devices (keyboard DCS2, video matrix SM328B and receiver DTRX3) can be connected directly using the telephone cable supplied by the manufacturer:



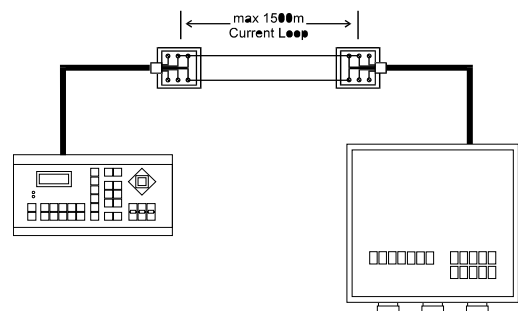
Connection DCS2 - receiver DTRX3



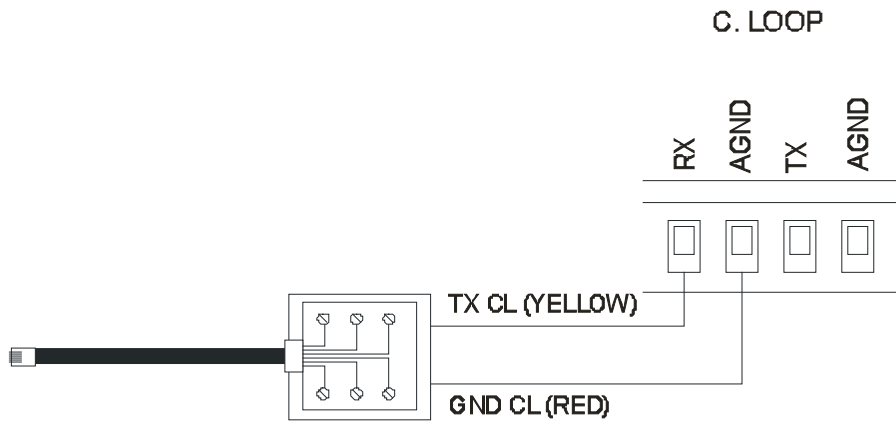
For normal connections in the field, refer to the connections made using the shunt boxes RJ, supplied by the manufacturer, following the reference tables given below:

Current Loop Communication Mode:
max. distance 1500 metres from DTRX3.
Jumper JP2 and JP3 on position CL.

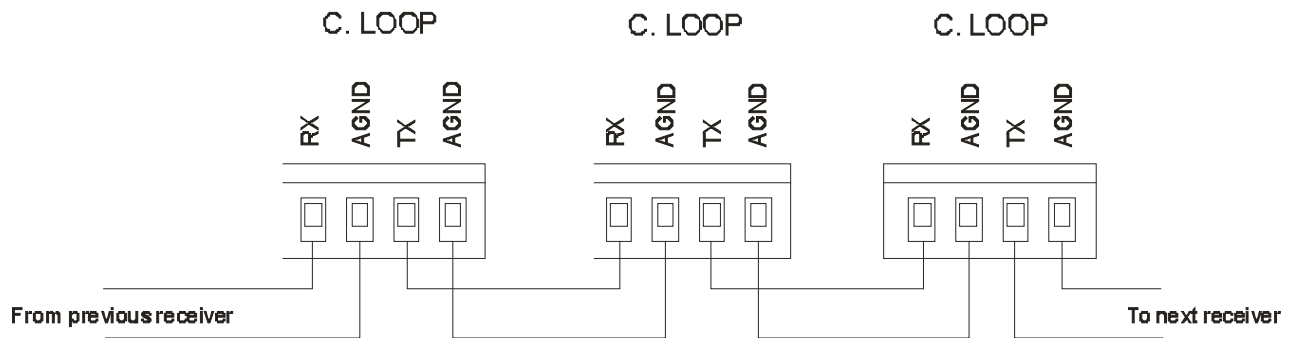
DCS2 / DCMT8		DTRX3
TX CL Yellow	-----	Terminal RX CL
GND CL Red	-----	Terminal AGND



Note: from the Receiver side the connection should be made to terminals RXCL and AGND according to the following scheme:



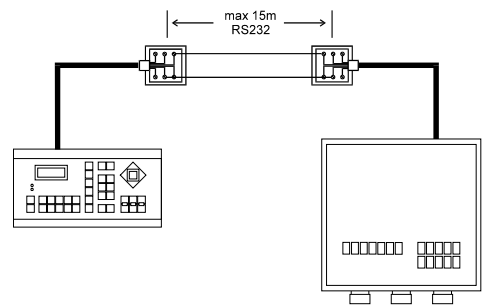
- if the receiver is connected in cascade to another DTRX3 unit, the reception mode should be set in Current Loop with jumpers JP2 and JP3 in position CL.
- terminals RX CL and AGND should be connected to the preceding unit terminals TX CL and AGND respectively as in the following scheme:



Connection with the RS232 line

RS232 Connection: max. distance 15 metres.

DCS2/DCMT8		DTRX3
TX RS232 Black	-----	Yellow RX RS232
GND RS232 Green	-----	Red GND RS232



Adjusting the voltage of the optics controls

- connect the power supply cable and power the DTRX3 unit (LD1 lit up)
- insert a load between terminals FOCUS NEAR and FOCUS FAR to absorb at least 10 mA (use a resistor from 100 to 1000 ohm).
- position the tester prods on terminals FOCUS NEAR and FOCUS FAR
- keep one of the two FOCUS keys on the control unit pressed down
- adjust the control voltage of the optics by adjusting trimmer TR1 (default 12V $\overline{---$)

NB: don't make unloaded voltage regulation (without inserting the load) otherwise the adjustment will be incorrect.

Connecting the pan&tilt and optics cables



WARNING! Before carrying out the following operations make sure that the pan&tilt control voltage and the setting for optics type are correct.

- disconnect the power supply to the unit
- make the connections with the optics and pan&tilt
- reconnect the power supply to the unit



For optics and pan&tilt with PRESET functions (PAN, TILT, ZOOM, FOCUS and IRIS, VCC and GND), the maximum length of the preset cables should not exceed 5 metres, otherwise positioning on the stored positions will be incorrect.

Setting the receiver for PRESET functions

The DTRX3 receiver has integrated preset functions (for pan&tilt and the optics). It is possible to store up to a maximum of 14 positions using the standard Videotec protocol or up to a maximum of 40 positions using the MACRO and Pelco D protocols. All positions can be recalled using the keyboard with the Scan and Patrol functions. The receiver is able to make a test to automatically detect which preset functions are present and configuring the device is therefore a simple operation. However, it is necessary to take certain precautions:

- Before making the receiver test (to determine which preset functions are active), make sure the cables for pan&tilt and the optics have been connected correctly
- For the preset cables (PAN, TILT, ZOOM, FOCUS, IRIS, VCC and GND) use cables with a maximum length of 5 metres

Testing the DTRX3 receiver

After having connected the positioning device and the lens cables, to check the correct working of the devices, it is **necessary** to perform the automatic test which will show the allowed functions.



WARNING! *Since during this phase the positioning devices makes automatically some predetermined movements, do not lean on during the test and do not obstruct its trajectory.*

Proceed according to the following indications:

1. power the receiver on
2. identify the Up arrow-switch (P4 switch) and the reset switch (**P1 switch**)
3. keep pushing the Up switch and press the reset switch
4. release the reset switch (keep pushing the Up switch): the automatic test starts
5. after the starting of the test, release the Up switch

The receiver starts up one function at a time, for about 3 seconds:

- Pan: left-right Led P
- Tilt: low-high Led T
- Zoom: wide-tele Led Z
- Focus: far-near Led F
- Iris: close-open Led I

The result of the test is shown from the 5 control leds P, T, Z, F, I (placed near the arrow-switches, see the receiver scheme at page 7), at the end of the of the movement of the Pan&Tilt and lens:

- led switched on and fixed: the relevant function (pan P, tilt T, zoom Z, focus F, iris I) works correctly.
- Led switched on and blinking: the relevant function doesn't work or is not present and cannot be used for preset/scan/patrol functions.

After some seconds from the end of the test the receiver automatically starts working.



Warning! *A blinking of at least one of the leds at the end of the test (provided that this function is included) indicates a malfunction to which you must find a remedy before the receiver starts working.*

Use of the alarm contacts

The 4 alarm contacts of DTRX3 receiver are associated with the first four preset positions; as soon as the alarm is activated, the positioning device and the lens adopt the corresponding preset position; the last alarm activated takes always priority. The DTRX3 can also receive an alarm command even through the DCS2 and DCS3 control keyboards (which in turn receives it from the SM84B/SM164B or SM328B matrix); in such case the positioning device and the lens move themselves into the preset position No 1.

In order to use the alarm contacts it is necessary to set the SW4 according to the following instructions:

- dip 3 of SW4 set to the ON position: the alarm contacts are activated
- dip 3 of SW4 set to the OFF position: the alarm contacts are deactivated
- dip 4 of SW4 set to the ON position: the alarm contacts are normally open
- dip 3 of SW4 set to the OFF position: the alarm contacts are normally closed

Operation mode of AUX4

Switches: dip 5 of SW4

Settings:

- dip 5 of SW4 on OFF position: normal operation
- dip 5 of SW4 on ON position: AUX4 is activated on alarm and deactivated when the alarm signal stops.

Auxiliaries AUX1 and AUX2

The outputs AUX1 (12 V⁼⁼, max 350 mA) and AUX2 (24 V[~], max 180 mA) can be used to power a camera. To provide output voltage, it is necessary to enable the corresponding auxiliary via the AUX ON command. To disable an auxiliary (no voltage output), use the control AUX OFF.



The DTRX3 receiver maintains the memory of the last state of the auxiliary AUX1 and AUX2, even in case of power off.

Local keys for P&T motor movement

The DTRX3 receiver has 4 local arrow-keys (on board) for the P&T motor movement in the 4 directions (Up, Down, Left, Right, see figure at page 7). These keys are very useful during P&T motor installation in order to control the position of limit switches and/or the right setting of the P&T motor. The arrow-keys have total priority and, when pressed, they deactivate at the moment the receiver remote use (by keyboards). When the arrow-keys are released the receiver functions are fully restored.

The combination of Up key and reset key is used to carry out the auto-test (see chap. relevant to *Test of DTRX3 receiver*).

Pelco D controls recognised by the DTRX3 receiver

As well as recognising standard Pelco D controls relating to joystick and lens movements, the DTRX3 receiver is able to recognise and execute the following extended Pelco D controls:

Pelco D Control	Recognised control by DTRX3	Particular notes
Set Auxiliary	Aux ON	Accepted values between 1 and 4
Clear Auxiliary	Aux OFF	Accepted values between 1 and 4
Set Pattern Start	Autopan Toggle	--
Run Pattern	Patrol Toggle	--
Remote Reset	Reset of receiver	--
Go To Preset "1÷40"	Scan	Accepted values between 1 and 40
Set Preset "1÷40"	Preset position	Accepted values between 1 and 40
Clear Preset "1÷40"	Reset of Preset single position	Accepted values between 1 and 40
Set Preset "41"	Patrol parameters acknowledgement starting (see example ^{***})	--
Set Preset "..."	Patrol "Position From"	Accepted values between 1 and 40
Set Preset "..."	Patrol "Position To"	Accepted values between 1 and 40
Set Preset "..."	Patrol "Pause"	Accepted values between 1 and 99
Set Preset "42"	Patrol Start	--
Set Preset "43"	Patrol Stop	--
Set Preset "44"	Washer-Wiper*	--
Set Preset "45"	Washer Start**	--
Set Preset "46"	Wiper Start**	--
Set Preset "47"	Washer Stop	--
Set Preset "49"	Wiper Stop	--
Set Preset "55" Set Preset "66"	Reset of all Preset positions	The two commands must be in sequence

NOTE

* Timing procedure: in the first the Washer function is enabled and successively the Wiper. The Wiper remains enabled even after the Washer switching off for a prearranged time pause.

** Automatic disconnection after 10 seconds

*** **Example of Patrol sequence programming**

If you want to set up a Patrol sequence that starts from Preset position 19, ends at Preset position 33 and stops for one minute at every position reached:

4 1 PRESET enables parameter insertion

1 9 PRESET start Patrol at position 19

3 3 PRESET end Patrol at position 33

6 0 PRESET pause of 60 seconds at every position reached

4 2 PRESET start of sequence

4 3 PRESET sequence end

Switching on and switching off



Before connecting the unit:

- make sure that the goods supplied correspond to the required specifications by controlling the rating plates, according to the section *Operating data on the rating plate*.
- make sure that the fuses of the DTRX3 receiver are not damaged.
- make sure that the receiver and the other components of the plant are closed in order to avoid the direct contact with live elements.
- make sure that all parts are accurately and firmly fixed.
- the power cords must not hamper the normal operations of the installer and the movement of the positioning device.
- make sure that all power sources and the connecting cables are able to bear the system consumption.

Maintenance



The DTRX3 receiver does not require special maintenance operations.

We recommend positioning the power cords and the connecting cables such that they are not likely to hamper the operator.

Troubleshooting



Although the DTRX3 receiver is characterized by a great ease of use, sometimes troubles may occur, especially during the installation and configuration phases or using the unit.

PROBLEM	PROBABLE CAUSE	REMEDY
<i>Led LD1 is off</i>	<ul style="list-style-type: none"> • No power supplied to the unit 	<ul style="list-style-type: none"> • Check the power cable
<i>Led LD1 is on but the commands are not executed</i>	<ul style="list-style-type: none"> • Wrong configuration of the reception • Wrong connection • Wrong DTRX3 identification • The unit is blocked • Wrong communication speed or protocol 	<ul style="list-style-type: none"> • In case of RS485 mode, check if the load is inserted/not inserted with JP5 jumper. In case of Current Loop mode, verify that the JP2 and JP3 jumper are on CL position. • Check the connecting cables • Check the identification number of DTRX3 (SW1-SW2-SW3) • Press the reset key P1 or turn off the power supply • Check the setting of dip 1,2 and 8 of SW4 and of dip 1 of SW6
<i>The positioning device does not work</i>	<ul style="list-style-type: none"> • Wrong power supplied to the positioning device • The fuse is blown 	<ul style="list-style-type: none"> • Make sure that the supply voltage of the positioning device corresponds to the one supplied by the receiver • Replace the fuse F5 (230 V~) or F2 (24 V~)
<i>The lens does not work</i>	<ul style="list-style-type: none"> • Wrong lens voltage 	<ul style="list-style-type: none"> • Check the adjustment of the TR1 trimmer
<i>The alarms does not work</i>	<ul style="list-style-type: none"> • Wrong configuration of alarms dip 	<ul style="list-style-type: none"> • Control the setting of Dip3, 4 and 5 of SW4
<i>In a cascade connection, the units which follow do not receive the user's commands</i>	<ul style="list-style-type: none"> • Wrong connection • Wrong configuration of the reception • Dip switch wrong configuration 	<ul style="list-style-type: none"> • Check the connecting cables • In case of RS485 mode, check if the load is inserted/not inserted with JP6 jumper. In case of Current Loop mode, verify that the JP2 and JP3 jumper are on CL position. • Control the address setting of the non-functioning units

Dip Switch SW4 and SW6 configuration tables

SW6		
Dip	Position	Function
1	ON	Pelco D protocol
1	OFF	Videotec or MACRO protocols (setting the dip 8 of SW4)
2 3 4	No action	No one

SW4		
Dip	Position	Function
1 2	OFF OFF	9600 baud* (Videotec and MACRO), 2400 Pelco D
1 2	ON OFF	300 baud Videotec, 38400 baud MACRO, 4800 baud Pelco D
1 2	OFF ON	1200 baud (Videotec and MACRO), 9600 baud Pelco D
1 2	ON ON	19200 baud (Videotec, MACRO and Pelco D)
3	OFF	Alarms not used*
3	ON	Alarms used
4	OFF	Alarms N.C.*
4	ON	Alarms N.O.
5	OFF	--
5	ON	Alarms on Aux4
6	OFF	--
6	ON	Aux3 and Aux4 at release
7	OFF	--
8	ON**	Standard Videotec protocol ****
8	OFF***	MACRO protocol **** (DCJ, DCT, DCTEL and DCIR)

NOTES:

- * Default setting.
- ** Compatible with keyboards DCS3, DCS2 and DCMT8 (DCJ, DCT, DCTEL and DCIR with standard Videotec protocol).
- *** Compatible with keyboards DCJ, DCT, DCTEL and DCIR with MACRO protocol.
- *** Can only be selected if switch 1 of SW6 is OFF

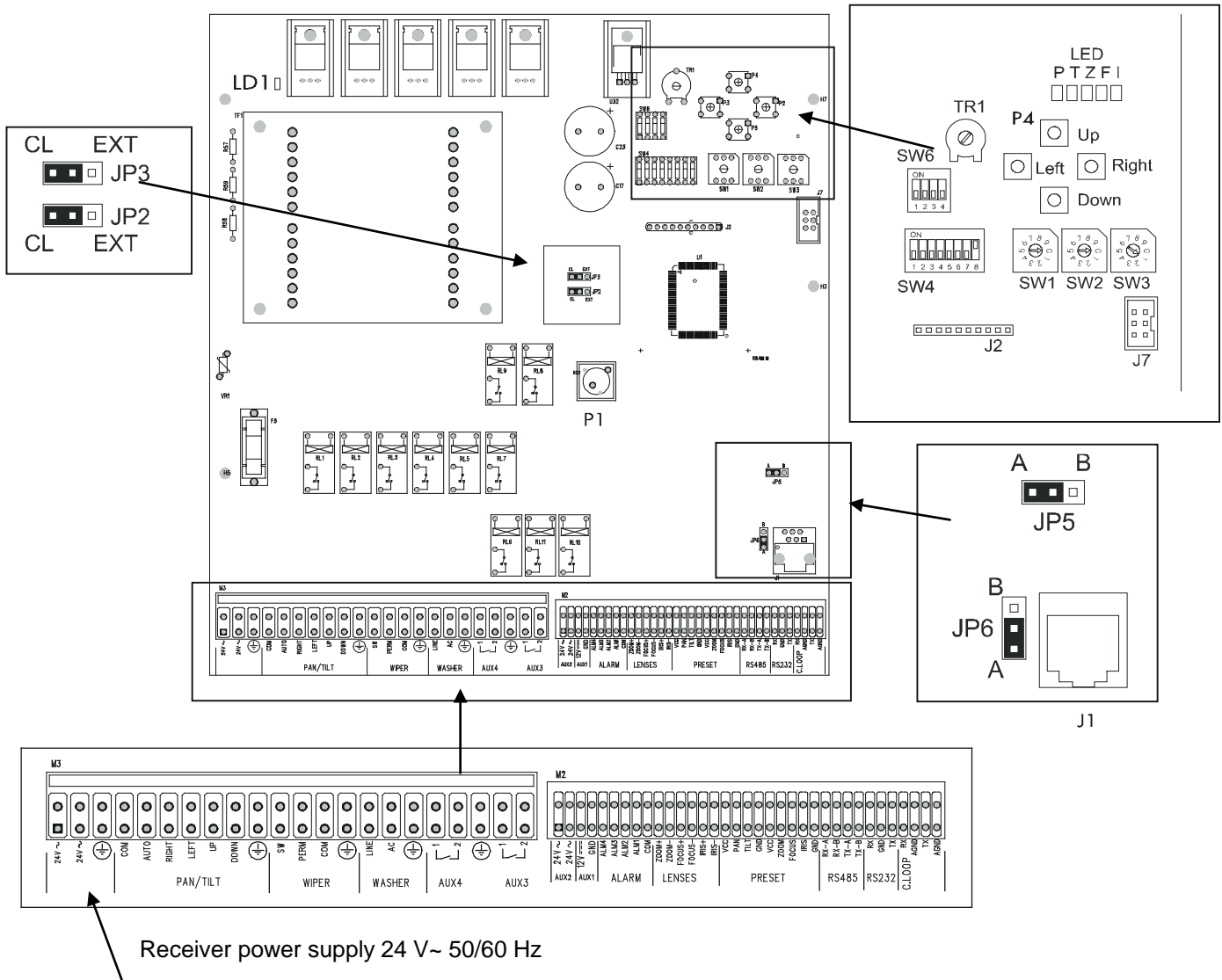
Technical features

Power supply:	230 V~ 50 Hz
Consumption	60 W
Max switching power:	100 W
Power supplied to the positioning device	24/230 V~ 50 Hz selectable
Power supplied to the wiper	24/230 V~ 50 Hz selectable
Power supplied to the washer	230 V~ 50/60 Hz selectable
Power supplied to the lens	3 V ⁼⁼⁼ ÷ 12 V ⁼⁼⁼ (max 100 mA)
Fuses	F2: 2.5 A F 250 V F5: 1 A F 250 V
Operating temperature	From -20°C up to +50°C
Dimensions	337 x 237 x 128 mm
Weight (net):	3,6 kg

Description of the DTRX324 receiver

For specifications and installation examples refer to the chapters relevant the DTRX324 receiver.

To supply the DTRX324 receiver in a correct way refer to the following scheme:



NB: For any other installation procedure, refer to the DTRX3 receiver description. (positioning device connection, lens, preset, protocol and baud rate settings, etc.).

Compatible devices for the use with the DTRX324 receiver

Refer to the following connectable devices:

- Control keyboards: **DCS3, DCS2, DCMT8, DCJ, DCT, DCTEL, DCIR**
- Pan & Tilt motors: **PTH311/PTH311P, PTH911/PTH911P, NXPTH211**
- Communications controller: **DCMX**
- Serial data distributor: **DCRE485**

Read the instruction manuals for the correct use of the above mentioned devices.

Technical features

Power supply:	24V~ 50/60 Hz
Consumption	40 W
Max switching power:	100 W
Power supplied to the positioning device	24V~ 50/60 Hz
Power supplied to the wiper	24V~ 50/60Hz
Power supplied to the washer	24V~ 50/60 Hz
Power supplied to the lens	3 V \div 12 V \div (max 100 mA)
Fuses	F5: 6.3 A F 250 V
Operating temperature	From -20°C up to +50°C
Dimensions	337 x 237 x 128 mm
Weight (net):	3,6 kg
EAC certification	



MANUALE D'USO

DTRX3 - DTRX324

INDICE

INDICE	1
INTRODUZIONE	3
Contenuto dell'imballaggio	3
Cosa contiene questo manuale.....	3
Convenzioni tipografiche	3
NORME DI SICUREZZA	3
DATI DI MARCATURA	4
DESCRIZIONE DEL RICEVITORE DTRX3	4
Caratteristiche	4
Apparecchi compatibili per l'uso con il ricevitore DTRX3	5
Esempio di installazione.....	5
Cavi	6
INSTALLAZIONE	7
Apertura dell'imballaggio	7
Controllo della marcatura	7
Dip switch e jumper di configurazione.....	7
CONFIGURAZIONE DEL RICEVITORE	8
Impostazione del numero di identificazione del ricevitore	8
Modalità di comunicazione del DTRX3.....	8
Inserimento del carico nella linea RS485	8
Tipo di ottiche controllate	9
Impostazione del protocollo e della velocità di comunicazione	9
Impostazione della tensione di controllo del brandeggio e del tergitristallo	10
Impostazione degli ausiliari AUX3 / AUX4	10
Collegamento con l'unità di comando	10
Collegamento con la linea RS485.....	11
<i>Collegamento di più ricevitori in cascata (collegamento punto-punto)</i>	11
<i>Più ricevitori per linea, collegamento con doppino twistato (collegamento multipunto)</i>	12
<i>Configurazioni miste (punto-punto / multipunto)</i>	13
Collegamento con la linea Current Loop	13
Collegamento con la linea RS232	14
Regolazione della tensione di controllo dell'ottica.....	15
Collegamento dei cavi del brandeggio e delle ottiche	15
SETTAGGIO DEL RICEVITORE PER LE FUNZIONI DI PRESET	15
TEST DEL RICEVITORE DTRX3	16
USO DEI CONTATTI DI ALLARME	17
Modalità di funzionamento di AUX4	17
AUSILIARI AUX1 E AUX2	17
TASTI LOCALI MOVIMENTO BRANDEGGIO	17
COMANDI PELCO D RICONOSCIUTI DAL RICEVITORE DTRX3	18
ACCENSIONE E SPEGNIMENTO	19
MANUTENZIONE	19

RISOLUZIONE DI PROBLEMI.....	19
TABELLE DI CONFIGURAZIONE DEI DIP SWITCH SW6 E SW4.....	20
CARATTERISTICHE TECNICHE.....	20
DESCRIZIONE DEL RICEVITORE DTRX324	21
Apparecchi compatibili per l'uso con il ricevitore DTRX324	21
CARATTERISTICHE TECNICHE.....	22

Il produttore declina ogni responsabilità per eventuali danni derivanti da un uso improprio delle apparecchiature menzionate in questo manuale; si riserva inoltre il diritto di modificarne il contenuto senza preavviso. Ogni cura è stata posta nella raccolta e nella verifica della documentazione contenuta in questo manuale: tuttavia il produttore non può assumersi alcuna responsabilità derivante dall'utilizzo della stessa. Lo stesso dicasi per ogni persona o società coinvolta nella creazione e nella produzione di questo manuale.

Introduzione

Contenuto dell'imballaggio

- 1 ricevitore DTRX3
- 1 manuale d'uso
- 2 tappi di chiusura PG11
- 4 staffe di fissaggio a muro con relative viti

Alla consegna del prodotto verificare che l'imballo sia integro e non abbia segni evidenti di cadute o abrasioni.

In caso di evidenti segni di danno all'imballo contattare immediatamente il fornitore.

Controllare che il contenuto sia rispondente alla lista del materiale sopra indicata.

Cosa contiene questo manuale

In questo manuale è descritto il ricevitore DTRX3, con le particolari procedure di installazione, configurazione e utilizzo.

È necessario **leggere attentamente questo manuale**, in particolar modo il capitolo concernente le norme di sicurezza, **prima di installare ed utilizzare il ricevitore**.

Convenzioni tipografiche

Nel presente manuale si fa uso di diversi simboli grafici, il cui significato è riassunto di seguito:



Rischio di scosse elettriche; togliere l'alimentazione prima di procedere con le operazioni, se non è espressamente indicato il contrario.



L'operazione è molto importante per il corretto funzionamento del sistema: si prega di leggere attentamente la procedura indicata, ed eseguirla secondo le modalità previste.



Descrizione delle caratteristiche del sistema: si consiglia di leggere attentamente per comprendere le fasi successive.

Norme di sicurezza



Il ricevitore DTRX3 è conforme alle normative vigenti all'atto della pubblicazione del presente manuale per quanto concerne la sicurezza elettrica, la compatibilità elettromagnetica ed i requisiti generali.

Si desidera tuttavia garantire gli utilizzatori (tecnico installatore e operatore) specificando alcune avvertenze per operare nella massima sicurezza:

- Collegare ad una linea di alimentazione corrispondente a quella indicata sulle etichette di marcatura (vedi il successivo capitolo *Dati di marcatura*)
- La presa di alimentazione deve essere connessa a terra secondo le norme vigenti
- Prima di spostare o effettuare interventi tecnici sull'apparecchio, disinserire l'alimentazione
- Non utilizzare cavi di tensione con segni di usura o invecchiamento, in quanto rappresentano un grave pericolo per l'incolumità degli utilizzatori
- L'installazione dell'apparecchio (e dell'intero impianto di cui esso fa parte) deve essere effettuata da personale tecnico adeguatamente qualificato
- L'apparecchio deve essere aperto soltanto da personale tecnico qualificato. La manomissione dell'apparecchio fa decadere i termini di garanzia
- Non utilizzare l'apparecchio in presenza di sostanze infiammabili
- Non permettere l'uso dell'apparecchio a bambini o incapaci
- Accertarsi che l'apparecchio sia fissato in maniera solida ed affidabile
- L'apparecchio si considera disattivato soltanto quando l'alimentazione è disinserita e i cavi di collegamento con altri dispositivi sono stati rimossi
- Prima dell'alimentazione del DTRX3 installare un dispositivo di protezione nell'impianto elettrico dell'edificio
- Per l'assistenza tecnica rivolgersi esclusivamente al personale tecnico autorizzato
- Conservare con cura il presente manuale per ogni futura consultazione

Dati di marcatura



Sul ricevitore DTRX3 sono riportate due etichette.

La prima etichetta contiene:

- Codice di identificazione del modello (codice a barre Extended 3/9)
- Tensione di alimentazione (Volt)
- Frequenza (Hertz)
- Consumo (Watt)

La seconda etichetta indica il numero di serie del modello (codice a barre Extended 3/9)

All'atto dell'installazione controllare se le caratteristiche di alimentazione del ricevitore corrispondono a quelle richieste. L'uso di apparecchi non idonei può portare a gravi pericoli per la sicurezza del personale e dell'impianto.

Descrizione del ricevitore DTRX3



Il ricevitore DTRX3 è un ricevitore di comandi a microprocessore per il controllo remoto di brandeggi, ottiche motorizzate, tergicristallo, pompa lavavetro e funzioni ausiliarie.

Caratteristiche

- 17 funzioni: UP, DOWN, LEFT, RIGHT, AUTO, WASHER, WIPER, ZOOM TELE, ZOOM WIDE, FOCUS NEAR, FOCUS FAR, IRIS OPEN, IRIS CLOSE, AUX1, AUX2, AUX3, AUX4
- Alimentazione telecamera 12 V $\overline{=}$ max 350 mA (AUX1) e 24 V \sim max 180 mA (AUX2)
- 2 contatti puliti con portata 1 A 230 V \sim oppure 1A 24 V \sim (AUX3 e AUX4)
- 999 indirizzi selezionabili tramite Dip Switch oppure Switch rotativi
- Ingresso seriale selezionabile tra RS232 / Current Loop / RS485
- Velocità di comunicazione selezionabile: 38400 / 19200 / 9600 / 4800 / 2400 / 1200 / 300 baud
- Protocolli di comunicazione selezionabili: Videotec standard / MACRO / Pelco D
- Ripetitore RS232, RS485 e Current Loop per configurazione in cascata
- Possibilità di usare sia ottiche funzionanti ad inversione di polarità che ottiche funzionanti a filo comune
- Led presenza alimentazione
- Led funzione attiva
- EEPROM per memorizzazione opzioni attive
- Microcontrollore 16 bit con memoria Flash riprogrammabile
- Trimmer regolazione tensione ottica (da 3 V $\overline{=}$ fino a 12 V $\overline{=}$)
- Funzioni PRESET / SCAN / PATROL con autoriconoscimento delle funzioni presenti
- Possibilità di memorizzare fino a 14 posizioni di PRESET (brandeggio, ottica) con protocollo Videotec standard e 40 posizioni con protocollo MACRO (tastiere DCJ, DCT, DCIR) e protocollo Pelco D
- 4 contatti di allarme impostabili N.A. o N.C.

Apparecchi compatibili per l'uso con il ricevitore DTRX3



ATTENZIONE! Se si utilizza il ricevitore DTRX324, fare riferimento al paragrafo 17.1 Apparecchi compatibili per l'uso con il ricevitore DTRX324.

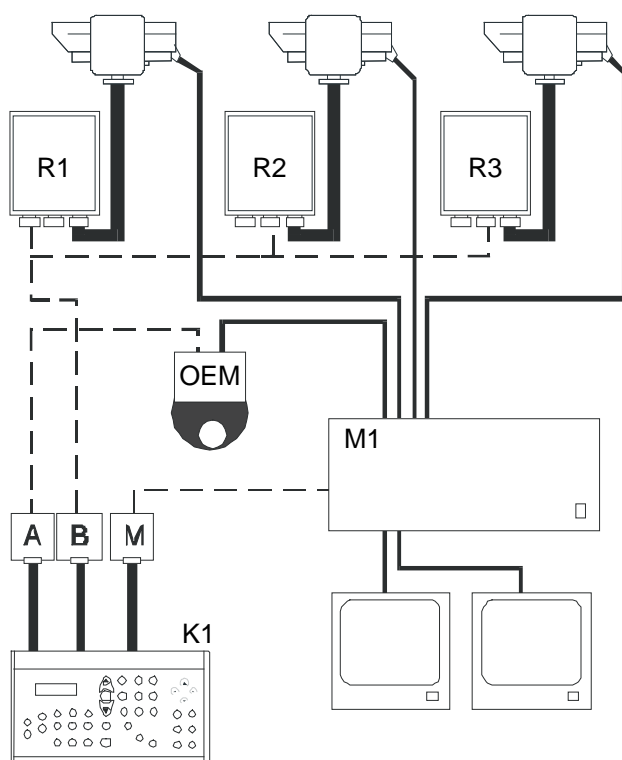
- Tastiere di controllo: **DCT, DCJ, DCTEL, DCIR, DCS3, DCS2, DCMT8**
- Brandeggi: **PTH310/PTH310P, PTH311/PTH311P, PTH910/PTH910P, PTH911/PTH911P, NXPTH210, NXPTH211C**
- Controllore di comunicazioni: **DCMX**
- Distributore di dati seriali: **DCRE485**

Fare riferimento ai singoli manuali d'uso per una descrizione completa delle caratteristiche degli apparecchi.

Esempio di installazione



Un operatore con più monitor, con controllo di una serie di brandeggi in configurazione mista:



MATERIALE IMPIEGATO:

Tastiere di controllo:

- K1: tastiera di controllo DCS3

Gestione video:

- 2 monitor
- 3 telecamere (+1 nel ricevitore OEM)
- M1: matrice video SW328

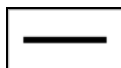
Gestione telemetria:

- R1, R2, R3: ricevitori DTRX3
- 3 brandeggi PTH910P (PTH911P con ricevitore DTRX324)
- 1 ricevitore OEM (con camera incorporata)

Cavi

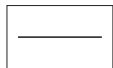


Negli schemi d'esempio sono stati utilizzati diversi tipi di tratto per indicare cavi di diversa funzione:



cavo telefonico:

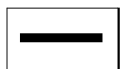
1,5 m fornito in dotazione con la tastiera.



cavo video:

coassiale RG 59 o cavo equivalente.

Per lunghe distanze si consiglia un sistema di trasmissione video su doppino twistato.



cavo multipolare:

ogni funzione di controllo del brandeggio viene attivata / disattivata da un relè interno al ricevitore.

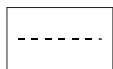
Stabilire il numero finale di cavi, seguendo le indicazioni seguenti:

- 7 fili per la movimentazione del brandeggio (230 V~ o 24 V~): destra, sinistra, alto, basso, autopan, comune, terra (solo per 230 V~)
- 6 fili di controllo per ottiche ad inversione di polarità (zoom, focus, iris)
- 4 fili di controllo per ottiche a filo comune (zoom, focus, iris)
- 7 fili per la gestione del preset: 5 collegati ai potenziometri di riferimento, +5 V⁻⁻⁻ e massa
- 4 fili per il Wiper
- 3 fili per il Washer
- 2 fili per ciascun ausiliare utilizzato
- 3 fili per cavo alimentazione

Nota: è consigliato l'utilizzo di differenti cavi multipolari per le funzioni in bassa tensione ed in alta tensione.

Sezione minima consigliata:

0,56 mm ² (AWG 20)	per fili in alta tensione (brandeggio, wiper, washer)
0,34 mm ² (AWG 22)	per fili in bassa tensione (ottica, ausiliari, preset)
0,75 mm ² (AWG 18)	per fili alimentazione del DTRX3



cavo per la ricezione/trasmissione digitale dei comandi:

- 2 fili per la ricezione dall'unità di comando (doppino telefonico twistato, sezione 0,22 mm² AWG 24)
- 2 fili per la eventuale trasmissione al ricevitore successivo nelle configurazioni in cascata (doppino telefonico twistato, sezione 0,22 mm² AWG 24)

Nota: la distanza massima del collegamento è di circa 15 m in RS232; 1500 m in Current Loop; 1200 m in RS485.



ATTENZIONE! Quando più ricevitori vengono collegati in cascata, è necessario utilizzare due cavi separati (non utilizzare cavi multicoppia) per la ricezione e la trasmissione digitale dei comandi tra i ricevitori.

Installazione



La fase di installazione deve essere effettuata solo da personale tecnico qualificato.



Le seguenti procedure sono da effettuare in assenza di alimentazione, se non diversamente indicato.

Apertura dell'imballaggio

Se l'imballaggio non presenta evidenti difetti (dovuti a cadute o abrasioni anomale), procedere al controllo del materiale in esso contenuto, secondo la lista fornita al paragrafo *Contenuto dell'imballaggio* nel capitolo *Introduzione*. I materiali d'imballo sono costituiti interamente da materiale riciclabile. Sarà cura del tecnico installatore smaltirli secondo le modalità di raccolta differenziata o comunque secondo le norme vigenti nel Paese di utilizzo.

Controllo della marcatura



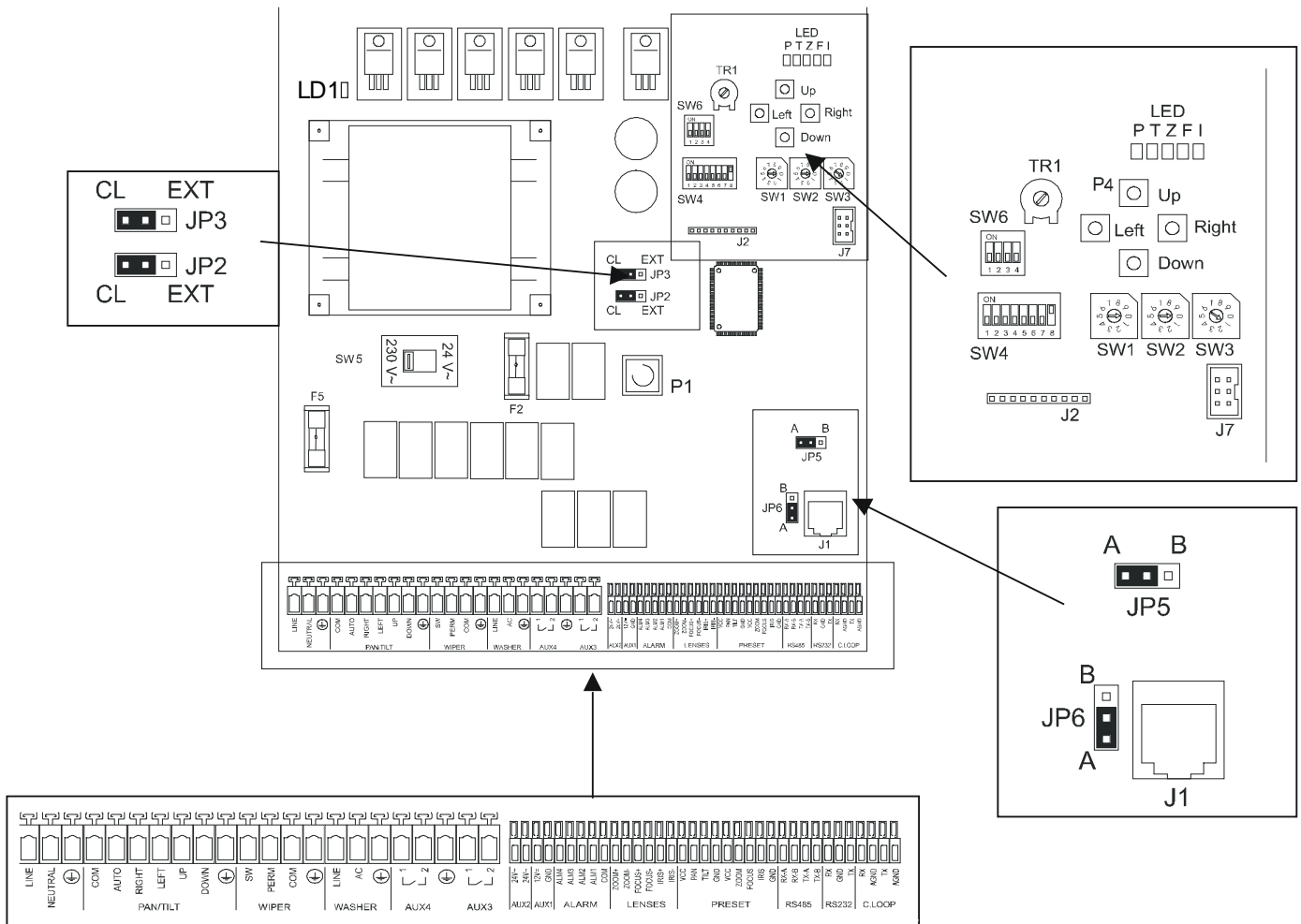
Prima di procedere con l'installazione controllare se il materiale fornito corrisponde alle specifiche richieste, esaminando le etichette di marcatura, secondo quanto descritto nel capitolo *Dati di marcatura*.

Non effettuare per nessun motivo alterazioni o collegamenti non previsti in questo manuale: l'uso di apparecchi non idonei può portare a gravi pericoli per la sicurezza del personale e dell'impianto.

Dip switch e jumper di configurazione



Nella figura seguente identificare i dip switch ed i jumper di configurazione del ricevitore.



Configurazione del ricevitore



La fase di configurazione del ricevitore consente di predisporlo ad un funzionamento ottimale, in base alle necessità dell'impianto.

La configurazione deve essere fatta solo al momento dell'installazione da parte del tecnico installatore. Si consiglia di procedere con ordine alla configurazione dei parametri, per evitare problemi di installazione.

I settaggi da effettuare in fase di configurazione sono:

- Impostazione del numero di identificazione del ricevitore
- Modalità di comunicazione
- Tipo di ottiche controllate
- Impostazione del protocollo e della velocità di comunicazione
- Impostazione della tensione di controllo del brandeggio e tergicristallo (Wiper)
- Impostazione degli ausiliari AUX3 / AUX4
- Collegamento con l'unità di comando
- Regolazione della tensione di controllo dell'ottica
- Collegamento dei cavi del brandeggio e delle ottiche
- Impostazione degli allarmi
- Operazione di Test delle funzioni attive del ricevitore (per operazioni di PRESET)

Impostazione del numero di identificazione del ricevitore

Configurare gli switch rotativi SW1, SW2 e SW3 in base all'indirizzo che si vuole attribuire al ricevitore nel modo seguente:

SW1: Centinaia

SW2: Decine

SW3: Unità

Esempi:

Indirizzo ricevitore n. 359

Impostare SW1 a 3, SW2 a 5 e SW3 a 9.

Indirizzo ricevitore n. 27

Impostare SW1 a 0, SW2 a 2 e SW3 a 7.

Indirizzo ricevitore n. 4

Impostare SW1 a 0, SW2 a 0 e SW3 a 4.

Modalità di comunicazione del DTRX3

In base al tipo di comunicazione che si sceglie, eseguire le seguenti impostazioni:

Current Loop: JP2 e JP3 in posizione CL

RS485: Vedi sotto (*Inserimento del carico nella linea RS485*)

RS232: Non è necessaria alcuna impostazione

Inserimento del carico nella linea RS485

Dove agire: jumper JP5 e JP6

JP5 in posizione A: carico inserito in ricezione RS485

JP5 in posizione B: carico disinserto in ricezione RS485

JP6 in posizione A: carico inserito in trasmissione RS485

JP6 in posizione B: carico disinserto in trasmissione RS485

Tipo di ottiche controllate



ATTENZIONE! La selezione errata del tipo di ottiche può causare il danneggiamento delle ottiche!

Il DTRX3 è in grado di controllare sia ottiche a inversione di polarità, sia a filo comune. In caso di ottiche a filo comune collegare il filo comune a FOCUS-.

Impostazione del protocollo e della velocità di comunicazione



ATTENZIONE! La selezione errata del protocollo e/o della velocità di comunicazione può causare un malfunzionamento del ricevitore.

Previsto anche per l'uso in sistemi di trasmissione digitale, il DTRX3 può effettuare comunicazioni con una velocità da 300 a 38400 baud a seconda del protocollo utilizzato.

Dove agire: dip 1, 2 e 8 di SW4 e dip 1 di SW6

Impostazioni:

Protocollo - Baud rate	SW6	SW4		
	Dip 1	Dip 1	Dip 2	Dip 8
Videotec - 300 baud	OFF	ON	OFF	ON
Videotec - 1200 baud	OFF	OFF	ON	ON
Videotec - 9600 baud*	OFF	OFF	OFF	ON
Videotec - 19200 baud	OFF	ON	ON	ON
MACRO - 1200 baud	OFF	OFF	ON	OFF
MACRO - 9600 baud	OFF	OFF	OFF	OFF
MACRO - 19200 baud	OFF	ON	ON	OFF
MACRO - 38400 baud	OFF	ON	OFF	OFF
Pelco D - 2400 baud	ON	OFF	OFF	**
Pelco D - 4800 baud	ON	ON	OFF	**
Pelco D - 9600 baud	ON	OFF	ON	**
Pelco D - 19200 baud	ON	ON	ON	**

NOTE:

* Impostazione di default

** Impostazione indifferente del dip; ON oppure OFF

Impostazione della tensione di controllo del brandeggio e del tergitristallo



ATTENZIONE! La selezione errata di questo settaggio può comportare il danneggiamento del brandeggio e del tergitristallo!



Il ricevitore DTRX324 non richiede questa impostazione dato che è in grado di fornire solo alimentazioni in 24 V~.

Controllare la tensione di funzionamento del brandeggio e del tergitristallo: solitamente questa è indicata da un'etichetta posta sull'oggetto.

Dove agire: Switcher SW5

Impostazioni:

- alimentazione del brandeggio e del tergitristallo in 24 V~: SW5 in posizione 24 V~
- alimentazione del brandeggio e del tergitristallo in 230 V~: SW5 in posizione 230 V~

Impostazione degli ausiliari AUX3 / AUX4

È possibile impostare il funzionamento degli ausiliari AUX3 / AUX4 settando il dip 6 dello switch SW4:

- dip 6 di SW4 in posizione OFF (default): l'operatore deve premere il tasto di comando una volta per attivare l'ausiliare ed una seconda volta per disattivarlo
- dip 6 di SW4 in posizione ON: l'ausiliare rimane attivato finché l'operatore tiene premuto il relativo tasto di comando

NB: l'ausiliario AUX4 è attivabile anche su contatto di allarme. Per una descrizione accurata di tale funzione fare riferimento al paragrafo *Modalità di funzionamento di AUX4* nel capitolo *Usa dei contatti di allarme*.

Collegamento con l'unità di comando

Il connettore RJ11 (J1 nella figura a pag. 7) presente nel circuito, permette la ricezione e la trasmissione di dati digitali in RS232 o RS485 consentendo un rapido collegamento delle varie apparecchiature durante eventuali fasi di test, oppure per il collegamento di interfacce di conversione presenti sul mercato (RS232-fibra ottica, ecc.).

Per il collegamento finale si consiglia di usare, nel caso si utilizzino tastiere di controllo DCS3, la modalità RS485 con i relativi morsetti di collegamento (che consente di raggiungere una distanza massima di 1200 m) o in alternativa, nel caso vengano utilizzate tastiere di controllo DCS2, la modalità Current Loop (la distanza massima raggiungibile è di 1500 m).

Collegamento con la linea RS485

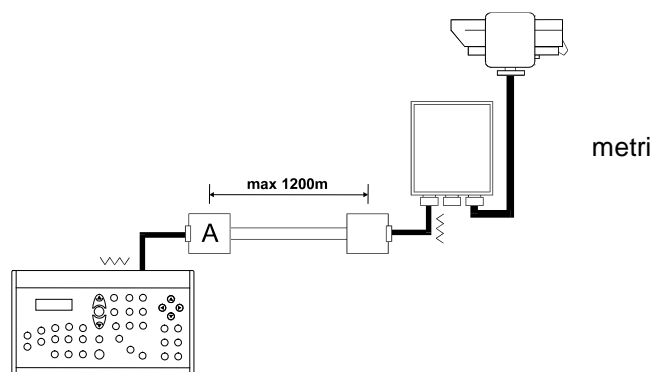
Le tastiere DCS3, DCJ, DCT e DCTEL e il ricevitore DTRX3 possono essere collegati direttamente tramite il cavo telefonico fornito dal fabbricante utilizzando il connettore RJ11 (J1 nella figura a pag. 7) presente nel circuito, secondo la tabella di riferimento riportata di seguito.



Collegamento tastiera - ricevitore DTRX3

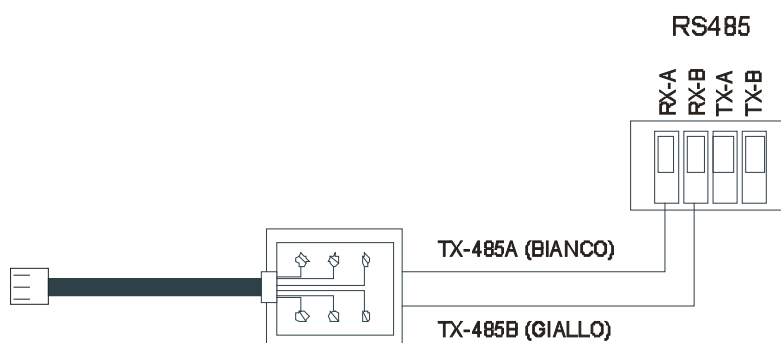
Modalità di comunicazione RS485: distanza max 1200

Tastiera (RJ11 A o B)		DTRX3
TX-485A Bianco	-----	Blu RX-485A
TX-485B Giallo	-----	Nero RX-485B

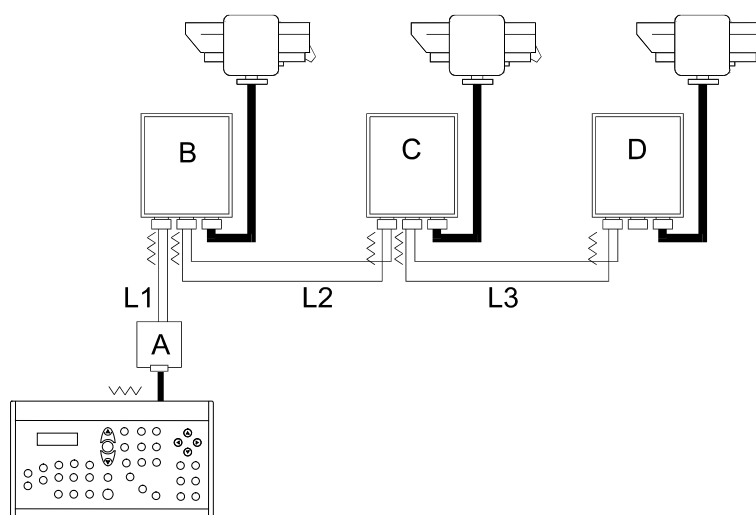


Nota: Il ricevitore DTRX3 ha il carico inserito in ricezione ed è collegato alla linea A o B della tastiera con il carico inserito.

Dal lato ricevitore è possibile anche collegarsi più semplicemente ai morsetti RX-485A e RX-485B secondo lo schema seguente:



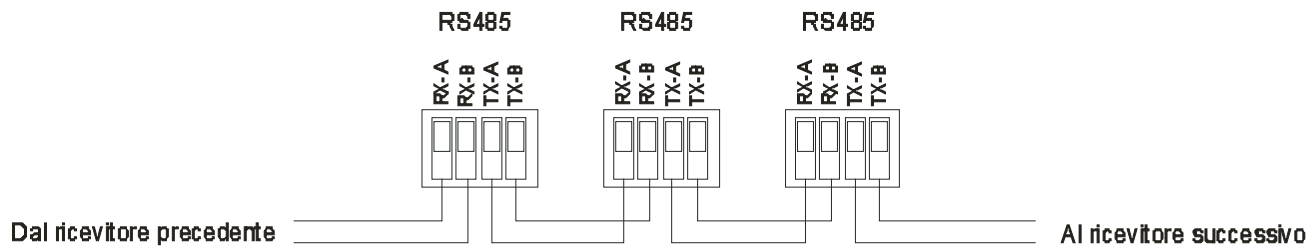
Collegamento di più ricevitori in cascata (collegamento punto-punto)



I ricevitori DTRX3 possono rigenerare internamente il segnale ricevuto e rispeditirlo su di una nuova linea di comunicazione verso il ricevitore successivo. Ognuno dei tre tratti di linea (L1, L2, L3) è considerato indipendente, e collega punto-punto solo due dispositivi, entrambi con carico inserito, per una lunghezza massima di 1200 metri. La distanza tra tastiera e ricevitore D può quindi raggiungere i 3600 m (1200 m tra la tastiera ed il ricevitore B, 1200 m tra il ricevitore B ed il ricevitore C, e altri 1200 m tra il ricevitore C ed il ricevitore D, per un totale di 3600 m).

	Tastiera	Cavo telefonico	RJ-JACK	DTRX3
RS485A	connettori	—————	bianco	RX-485A
RS485B	RJ11 'A' o 'B'		giallo	RX-485B

Nota: I morsetti RX-485A e RX-485B che presentano il carico inserito, devono essere collegati, rispettivamente, ai morsetti TX-485A e TX-485B dell'unità precedente, anch'essi con il carico inserito:

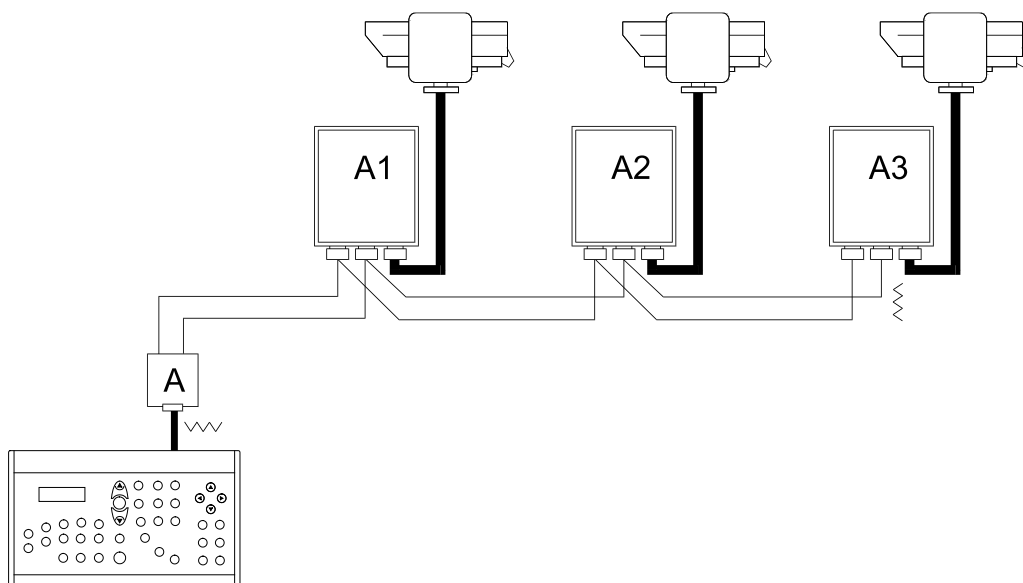


NB: Nel caso del collegamento in questione (punto-punto), il malfunzionamento di uno dei ricevitori comporta l'interruzione dei dispositivi in cascata.

Più ricevitori per linea, collegamento con doppino twistato (collegamento multipunto)

Tutti i ricevitori collegati ad una stessa linea devono usare il medesimo protocollo di comunicazione RS485. Per ciascuna delle linee valgono le seguenti considerazioni:

- solo una delle tastiere (quella posta ad un capo della linea) presenta il carico inserito
- solo uno dei ricevitori (posto all'altro capo della linea) presenta il carico inserito
- la lunghezza complessiva della linea non deve superare i 1200 m



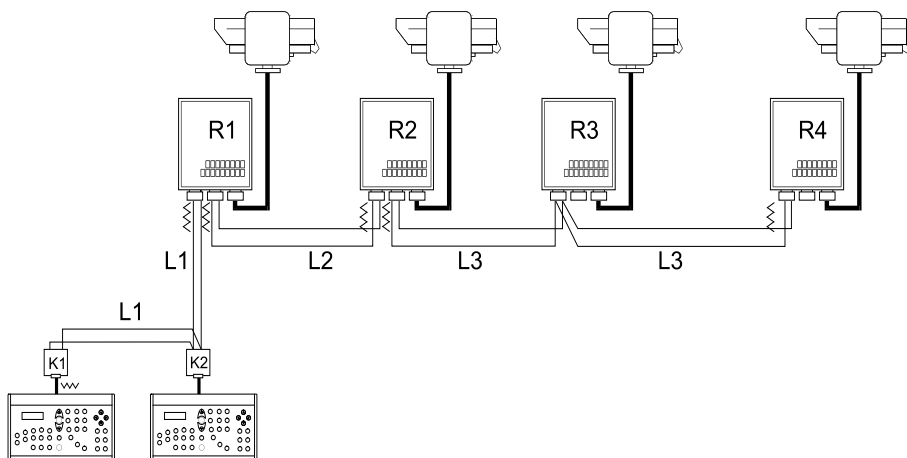
È stata utilizzata la linea A della tastiera DCS3 per la comunicazione verso la telemetria. Gli estremi (Tastiera - Ricevitore A3) devono avere la resistenza di terminazione inserita. I ricevitori A1, A2 non devono avere la resistenza di terminazione inserita. La lunghezza massima della linea, da capo a capo (dalla tastiera al ricevitore A3), è di 1200 metri.

NB: Nel caso del collegamento in questione (multipunto), il malfunzionamento di uno dei dispositivi non influenza gli altri ricevitori.

Configurazioni miste (punto-punto / multipunto)

Risulta essere una combinazione dei due modi di collegamento precedenti, e a seconda della combinazione scelta consente di sfruttare al meglio i vantaggi dei due tipi di collegamento riducendo in maniera anche significativa la possibilità di malfunzionamento.

Ecco un esempio di collegamento misto:



Nell'esempio proposto, un eventuale blocco del ricevitore R3 (collegato in multipunto sulla linea L3) non causa il malfunzionamento del ricevitore R4. R3 non è ai capi della linea L3, e quindi non deve essere terminato.

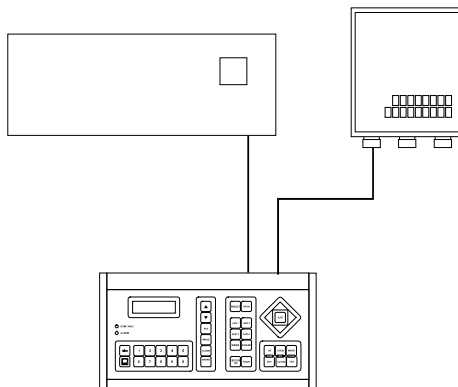
Se il ricevitore R2 dovesse bloccarsi, essendo questo il 'generatore' della linea L3, tutti i ricevitori ad esso collegati in cascata (R3 ed R4) non riceveranno comandi.

Collegamento con la linea Current Loop

I diversi dispositivi (tastiera DCS2, matrice video SM328B e ricevitore DTRX3) possono essere collegati direttamente tramite cavo telefonico fornito dal fabbricante:



Collegamento DCS2 - ricevitore DTRX3

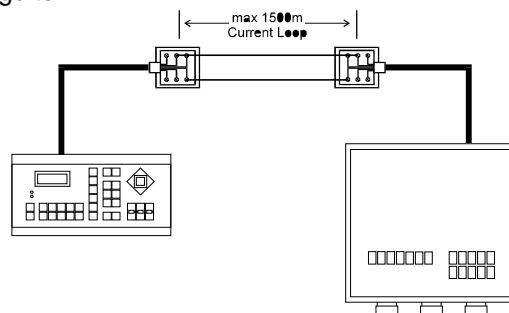


Per le normali connessioni sul campo, fare riferimento ai collegamenti effettuati tramite le scatole di derivazione RJ, fornite dal fabbricante, secondo le tabelle di riferimento riportate di seguito:

Modalità di Comunicazione Current Loop:

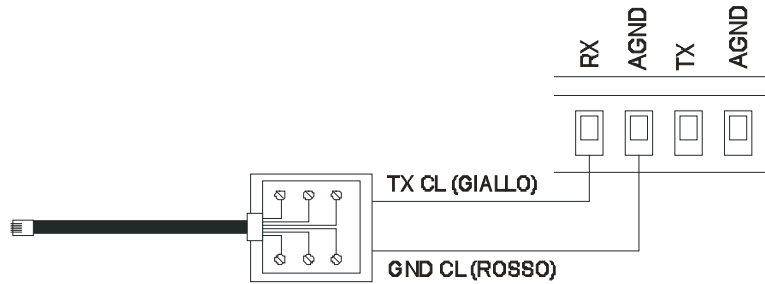
distanza max 1500 metri dal DTRX3;
jumper JP2 e JP3 in posizione CL.

DCS2 / DCMT8		DTRX3
TX CL Giallo	-----	Morsetto RX CL
GND CL Rosso	-----	Morsetto AGND

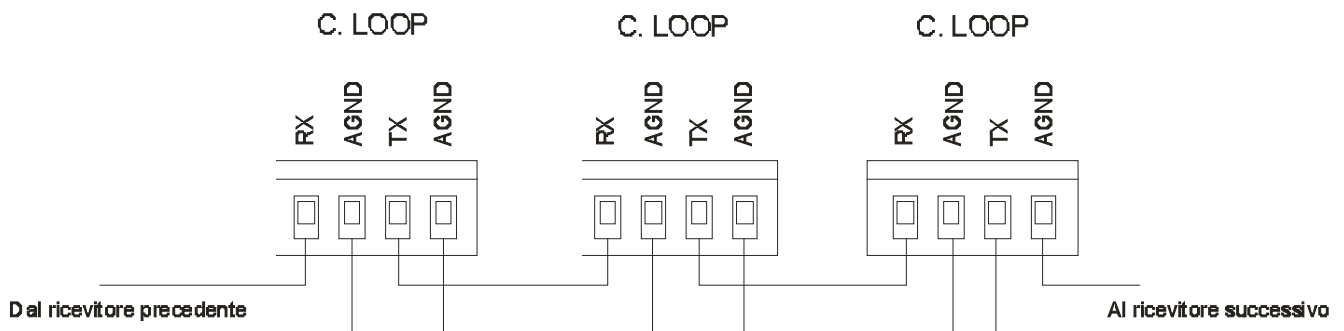


Nota: dal lato Ricevitore il collegamento deve essere effettuato ai morsetti RXCL e AGND secondo lo schema seguente:

C. LOOP



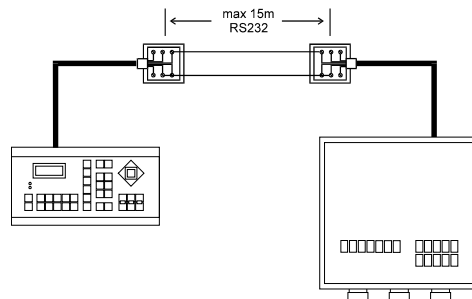
- se il ricevitore è collegato in cascata ad un'altra unità DTRX3, la modalità di ricezione deve essere settata in Current Loop con i jumper JP2 e JP3 in posizione CL.
- i morsetti RX CL e AGND devono essere collegati, rispettivamente, ai morsetti TX CL e AGND dell'unità precedente secondo il seguente schema:



Collegamento con la linea RS232

Collegamento RS232: distanza max 15 metri.

DCS2 / DCMT8		DTRX3
TX RS232 Nero	-----	Giallo RX RS232
GND RS232 Verde	-----	Rosso GND RS232



Regolazione della tensione di controllo dell'ottica

- collegare il cavo di alimentazione e alimentare l'unità DTRX3 (LD1 acceso)
- inserire un carico tra i morsetti FOCUS NEAR e FOCUS FAR che assorba almeno 10 mA (utilizzare una resistenza di valore compreso tra 100 e 1000 ohm)
- posizionare i puntali del tester sui morsetti FOCUS NEAR e FOCUS FAR
- tenere premuto uno dei due tasti FOCUS sull'unità di comando
- regolare la tensione di controllo dell'ottica agendo sul trimmer TR1 (default 12 V $\overline{---$)

NB: evitare di regolare la tensione a vuoto (senza inserire il carico) altrimenti la regolazione risulterà errata.

Collegamento dei cavi del brandeggio e delle ottiche



ATTENZIONE! Prima di effettuare le seguenti operazioni assicurarsi che la tensione di controllo del brandeggio e l'impostazione del tipo di ottiche utilizzati siano corretti.

- togliere alimentazione all'unità
- effettuare i collegamenti con ottica e brandeggio
- dare alimentazione all'unità



In caso di ottiche e brandeggi con funzioni di PRESET (PAN, TILT, ZOOM, FOCUS e IRIS, VCC e GND), la lunghezza massima dei cavi di preset non deve superare i 5 metri di lunghezza, pena un non preciso ritorno nelle posizioni memorizzate.

Settaggio del ricevitore per le funzioni di PRESET

Il ricevitore DTRX3 presenta le funzioni di preset integrate (relative al brandeggio e alle ottiche). È possibile memorizzare fino ad un massimo di 14 posizioni utilizzando il protocollo Videotec standard, oppure fino ad un massimo di 40 impiegando i protocolli MACRO e Pelco D. Tutte le posizioni sono richiamabili tramite tastiera con le funzioni di Scan e Patrol. Il ricevitore è in grado di riconoscere in maniera automatica mediante un test quali funzioni di preset sono presenti e risulta pertanto agevole configurare il dispositivo. Tuttavia è necessario procedere con alcune precauzioni:

- prima di effettuare il test del ricevitore (che determina quali funzioni di preset sono attive) assicurarsi di aver collegato in maniera corretta i cavi relativi al brandeggio e alle ottiche
- per i cavi di preset (PAN, TILT, ZOOM, FOCUS, IRIS, VCC e GND) usare cavi di lunghezza non superiore a 5 metri

Test del ricevitore DTRX3

Dopo aver connesso i cavi per il brandeggio e l'ottica, per controllare il corretto funzionamento dei dispositivi è **necessario** lanciare la procedura di test automatico che rivelerà le funzioni disponibili.



ATTENZIONE! Il brandeggio, durante il test, si muove automaticamente. Non appoggiarsi ad esso, né frapporre ostacoli alla sua corsa.

Procedere secondo le seguenti indicazioni:

1. accendere il ricevitore
2. identificare il tasto freccia Up (tasto P4) e il tasto di reset (**tasto P1**)
3. tenendo premuto il tasto Up premere il pulsante di reset
4. rilasciare il tasto di reset (mantenendo il tasto Up premuto): inizia l'autotest
5. dopo l'inizio del test, rilasciare il tasto Up

Il ricevitore attiva una funzione alla volta, per circa 3 secondi:

- Pan: sinistra-destra (Led P)
- Tilt: basso-alto (Led T)
- Zoom: wide-tele (Led Z)
- Focus: far-near (Led F)
- Iris: close-open (Led I)

Il risultato del test è indicato dai 5 led P, T, Z, F, I (posti nella parte del ricevitore vicina ai tasti freccia, vedi figura a pag. 7) al termine del movimento di brandeggio ed ottiche:

- led acceso fisso: la funzione corrispondente (pan P, tilt T, zoom Z, focus F, iris I) opera correttamente
- led acceso lampeggiante: la funzione corrispondente non funziona correttamente oppure non è presente e non può essere utilizzata per le operazioni di preset/scan/patrol

Dopo qualche secondo dalla fine del test il ricevitore si resetta automaticamente per riprendere il funzionamento normale.



ATTENZIONE! Un lampeggiamento di almeno uno dei led alla fine del test (a meno che la funzione non sia assente) indica un malfunzionamento al quale si deve porre rimedio prima della messa in opera del ricevitore!

Uso dei contatti di allarme

I quattro contatti di allarme presenti nel ricevitore DTRX3 sono associati alle prime quattro posizioni di preset; se l'allarme è attivato, il brandeggio e l'ottica si portano nella posizione di preset corrispondente; l'ultimo allarme arrivato ha sempre la priorità più alta. È possibile che il DTRX3 riceva un comando di allarme anche attraverso le tastiere di comando DCS2 e DCS3 (che lo ricevono a loro volta dalle matrici SM84B/SM164B o SM328B); in tal caso brandeggio ed ottica si portano nella posizione di preset n.1.

Per poter usare i contatti di allarme è necessario impostare i dip di SW4 come segue:

- dip 3 di SW4 in posizione ON: contatti di allarme attivati
- dip 3 di SW4 in posizione OFF: contatti di allarme disattivati
- dip 4 di SW4 in posizione ON: contatti normalmente aperti
- dip 4 di SW4 in posizione OFF: contatti normalmente chiusi

Modalità di funzionamento di AUX4

Dove agire: dip 5 di SW4

Impostazioni:

- dip 5 di SW4 in posizione OFF: funzionamento normale
- dip 5 di SW4 in posizione ON: AUX4 si attiva al pervenire di un allarme e si disattiva al cessare del segnale di allarme.

Ausiliari AUX1 e AUX2

Le uscite AUX1 (12 V⁼⁼, max 350 mA) e AUX2 (24 V⁻, max 180 mA) possono essere utilizzate per alimentare una telecamera.

Per fornire tensione in uscita è necessario attivare il corrispondente ausiliare tramite il comando AUX ON. Per disabilitare un ausiliare (nessuna tensione in uscita), utilizzare il relativo comando AUX OFF.



Il ricevitore DTRX3 mantiene memoria dell'ultimo stato degli ausiliari AUX1 e AUX2, anche in caso di spegnimento.

Tasti locali movimento brandeggio

Il ricevitore DTRX3 presenta 4 tasti locali (su scheda) per il movimento del brandeggio nelle quattro direzioni (Up, Down, Left, Right, vedi figura a pag. 7). Essi sono molto utili in fase di installazione per movimentare il brandeggio al fine di controllare la posizione dei finecorsa e/o la corretta installazione del brandeggio. I tasti freccia hanno priorità assoluta e pertanto quando premuti disattivano momentaneamente l'utilizzo remoto (tramite tastiera) del ricevitore. Quando i tasti freccia sono rilasciati la funzionalità del ricevitore ritorna ad essere pienamente ripristinata. Il tasto Up in combinazione con il tasto di reset serve ad eseguire l'autotest (vedi il capitolo *Test del ricevitore DTRX3*).

Comandi Pelco D riconosciuti dal ricevitore DTRX3

Oltre ai comandi standard del protocollo Pelco D relativi alla movimentazione del brandeggio e al controllo delle ottiche, il ricevitore **DTRX3** è in grado di riconoscere ed eseguire anche i seguenti comandi estesi:

Comando Pelco D	Comando riconosciuto dal DTRX3	Note particolari
Set Auxiliary	Aux ON	Accetta valori compresi tra 1 e 4
Clear Auxiliary	Aux OFF	Accetta valori compresi tra 1 e 4
Set Pattern Start	Autopan Toggle	--
Run Pattern	Patrol Toggle	--
Remote Reset	Reset del ricevitore	--
Go To Preset "1÷40"	Scan	Accetta valori compresi tra 1 e 40
Set Preset "1÷40"	Posizione di Preset	Accetta valori compresi tra 1 e 40
Clear Preset "1÷40"	Reset della singola posizione di Preset	Accetta valori compresi tra 1 e 40
Set Preset "41"	Inizio dell'acquisizione dei parametri per il Patrol (vedi esempio***)	--
Set Preset "..."	Patrol "Posizione Da"	Accetta valori compresi tra 1 e 40
Set Preset "..."	Patrol "Posizione A"	Accetta valori compresi tra 1 e 40
Set Preset "..."	Patrol "Pausa"	Accetta valori compresi tra 1 e 99
Set Preset "42"	Patrol Start	--
Set Preset "43"	Patrol Stop	--
Set Preset "44"	Washer-Wiper*	--
Set Preset "45"	Washer Start**	--
Set Preset "46"	Wiper Start**	--
Set Preset "47"	Washer Stop	--
Set Preset "49"	Wiper Stop	--
Set Preset "55" Set Preset "66"	Reset di tutte le posizioni di Preset	I due comandi vanno dati in sequenza

NOTE

* Procedura temporizzata: nel primo periodo si attiva la funzione Washer e successivamente si aziona il Wiper. Il Wiper rimane attivo anche dopo lo spegnimento del Washer per un intervallo di tempo prefissato.

** Disattivazione automatica dopo 10 secondi

*** Esempio di programmazione di una sequenza di Patrol

Si desidera definire una sequenza di Patrol che inizi dalla posizione di Preset 19, termini nella posizione di Preset 33 e si fermi per un minuto in ogni posizione raggiunta:

4 1 PRESET abilitazione all'acquisizione dei parametri

1 9 PRESET posizione di inizio del Patrol pari a 19

3 3 PRESET posizione finale del Patrol pari a 33

6 0 PRESET pausa di 60 secondi in ogni posizione raggiunta

4 2 PRESET inizio della sequenza

4 3 PRESET fine della sequenza

Accensione e spegnimento



Prima di fornire alimentazione:

- controllare se il materiale fornito corrisponde alle specifiche richieste, esaminando le etichette di marcatura, secondo quanto descritto al capitolo *Dati di marcatura*.
- controllare che i fusibili di protezione del ricevitore DTRX3 siano integri.
- controllare che il ricevitore e gli altri componenti dell'impianto siano chiusi e sia quindi impossibile il contatto diretto con parti in tensione.
- accertarsi che tutte le parti siano fissate in maniera solida ed affidabile.
- i cavi di alimentazione non devono essere d'intralcio alle normali operazioni del tecnico installatore ed al movimento del brandeggio.
- controllare che le fonti di alimentazione ed i cavi di collegamento eventualmente utilizzati siano in grado di sopportare il consumo del sistema.

Manutenzione



Il ricevitore DTRX3 non necessita di particolare manutenzione.

Si raccomanda di installarlo in modo che i cavi di alimentazione e di collegamento siano in posizione tale da non essere causa di intralcio al movimento del brandeggio.

Risoluzione di problemi



Il ricevitore DTRX3 è caratterizzato da una notevole facilità d'uso, ma ciononostante potrebbero insorgere dei problemi in fase di installazione, di configurazione o durante l'uso.

PROBLEMA	PROBABILE CAUSA	RIMEDIO
<i>Il led LD1 è spento</i>	<ul style="list-style-type: none">• Manca alimentazione	<ul style="list-style-type: none">• Controllare il cavo di alimentazione
<i>Il led LD1 è acceso ma non vengono eseguiti i comandi</i>	<ul style="list-style-type: none">• Configurazione errata della ricezione• Collegamento non corretto• Identificazione DTRX3 errata• Blocco dell'unità• Protocollo o velocità di trasmissione errati	<ul style="list-style-type: none">• In caso di ricezione su RS485 controllare di aver/non aver inserito il carico con il jumper JP5. In caso di ricezione in current loop controllare che i jumper JP2 e JP3 siano in posizione CL• Controllare i cavi di collegamento• Controllare il numero di identificazione del DTRX3 (SW1-SW2-SW3)• Premere il pulsante di reset P1 o togliere l'alimentazione• Controllare l'impostazione dei dip 1, 2 e 8 di SW4 e del dip 1 di SW6
<i>Il brandeggio non funziona</i>	<ul style="list-style-type: none">• Errata alimentazione del brandeggio• Fusibile bruciato	<ul style="list-style-type: none">• Controllare che la tensione di alimentazione del brandeggio corrisponda a quella fornita dal ricevitore.• Sostituire il fusibile F5 (230 V~) o F2 (24 V~)
<i>L'ottica non funziona</i>	<ul style="list-style-type: none">• Errata tensione ottica	<ul style="list-style-type: none">• Controllare la regolazione del trimmer TR1
<i>Gli allarmi non funzionano</i>	<ul style="list-style-type: none">• Errata configurazione dei dip allarmi	<ul style="list-style-type: none">• Controllare l'impostazione dei dip 3, 4 e 5 di SW4
<i>In un collegamento a cascata, le unità successive non ricevono comandi</i>	<ul style="list-style-type: none">• Collegamento non corretto• Errata configurazione della ricezione• Errata configurazione del dip switch	<ul style="list-style-type: none">• Controllare i cavi di collegamento• In caso di trasmissione su RS485 controllare di aver/non aver inserito il carico con il jumper JP6. In caso di trasmissione in current loop controllare che i jumper JP2 e JP3 siano in posizione CL• Controllare l'impostazione dell'indirizzo delle unità non funzionanti

Tabelle di configurazione dei dip switch SW6 e SW4

SW6		
Dip	Stato	Funzione
1	ON	Protocollo Pelco D
1	OFF	Protocolli Videotec o MACRO (impostando il dip 8 di SW4)
2 3 4	Ininfluyente	Nessuna

SW4		
Dip	Stato	Funzione
1 2	OFF OFF	9600 baud* (Videotec e MACRO), 2400 Pelco D
1 2	ON OFF	300 baud Videotec, 38400 baud MACRO, 4800 baud Pelco D
1 2	OFF ON	1200 baud (Videotec e MACRO), 9600 baud Pelco D
1 2	ON ON	19200 baud (Videotec, MACRO e Pelco D)
3	OFF	Allarmi non usati*
3	ON	Allarmi usati
4	OFF	Allarmi N.C.*
4	ON	Allarmi N.O.
5	OFF	--
5	ON	Allarmi su Aux4
6	OFF	--
6	ON	Aux3 e Aux4 a rilascio
7	OFF	--
8	ON**	Protocollo Videotec standard****
8	OFF***	Protocollo MACRO**** (DCJ, DCT e DCTELe DCIR)

NOTE:

* Impostazioni di default

** Valido con tastiere DCS3, DCS2 e DCMT8 (DCJ, DCT e DCTEL con protocollo Videotec standard)

*** Valido con tastiere DCJ, DCT e DCTEL con protocollo MACRO

**** Selezionabile solo se il dip 1 di SW6 è in posizione OFF.

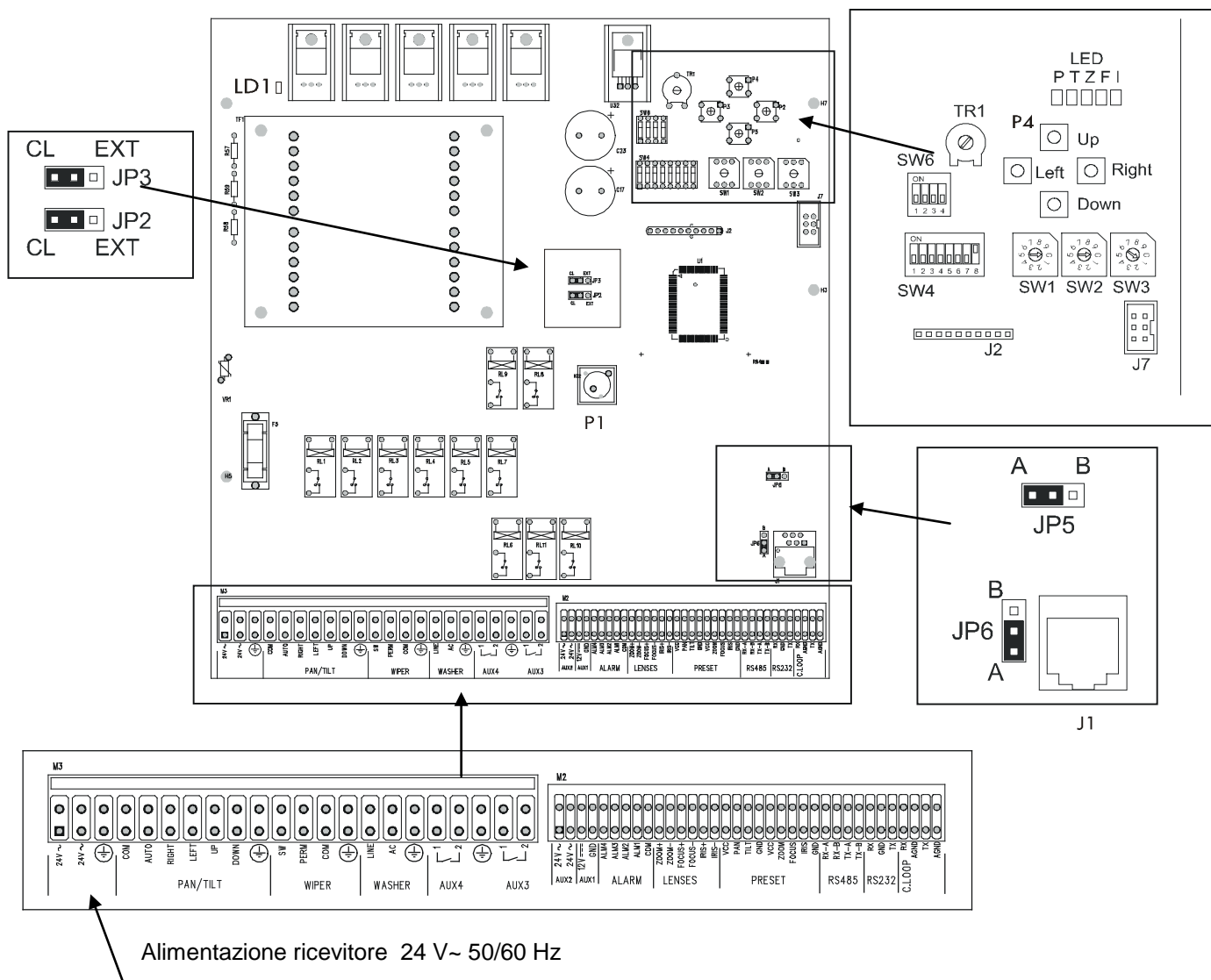
Caratteristiche tecniche

Tensione di alimentazione	230 V~ 50 Hz
Consumo	60 W
Massima potenza commutabile	100 W
Tensione di alimentazione brandeggio	24/230 V~ 50 Hz selezionabile
Tensione di alimentazione tergitristallo	24/230 V~ 50 Hz selezionabile
Tensione alimentazione pompa lavavetri	230 V~ 50/60 Hz
Tensione alimentazione ottica	3 V ⁻⁻⁻ ÷ 12 V ⁻⁻⁻ (max 100 mA)
Fusibili	F2: 2.5 A F 250 V F5: 1 A F 250 V
Temperatura di esercizio	Da -20°C fino a +50°C
Dimensioni	337 x 237 x 128 mm
Peso netto	3,6 kg

Descrizione del ricevitore DTRX324

Per quanto riguarda le caratteristiche e gli esempi di installazione, consultare i paragrafi relativi al ricevitore DTRX3.

Per alimentare in modo corretto il ricevitore DTRX324, fare riferimento al seguente schema:



NB: Per qualsiasi altra procedura di installazione fare riferimento alla parte relativa al ricevitore DTRX3 (collegamento brandeggio, ottica, preset, impostazioni del protocollo e del baud rate, ecc.).

Apparecchi compatibili per l'uso con il ricevitore DTRX324

- * Tastiere di controllo: **DCS3, DCS2, DCMT8, DCJ, DCT, DCTEL, DCIR**
- * Brandeggi: **PTH311/PTH311P, PTH911/PTH911P, NXPTH210**
- * Controllore di comunicazioni: **DCMX**
- * Distributore di dati seriali: **DCRE485**

Fare riferimento ai singoli manuali d'uso per una descrizione completa delle caratteristiche degli apparecchi.

Caratteristiche tecniche

Tensione di alimentazione	24 V~ 50/60 Hz
Consumo	40 W
Massima potenza commutabile	100 W
Tensione di alimentazione brandeggio	24V~ 50/60 Hz
Tensione di alimentazione tergitristallo	24V~ 50/60 Hz
Tensione alimentazione pompa lavavetri	24V~ 50/60 Hz
Tensione alimentazione ottica	3 V $\overline{\text{---}}$ ÷ 12 V $\overline{\text{---}}$ (max 100 mA)
Fusibili	F5: 6.3 A F 250 V
Temperatura di esercizio	Da -20 °C fino a +50 °C
Dimensioni	337 x 237 x 128 mm
Peso netto	3,6 kg
Certificazione EAC	



MANUEL D'INSTRUCTIONS

DTRX3 - DTRX324

INDEX

INDEX	1
INTRODUCTION	3
Contenu de l'emballage	3
Contenu du manuel	3
Conventions typographiques	3
NORMES DE SECURITE	3
CARACTÉRISTIQUE TECHNIQUES	4
DESCRIPTION DU RECEPTEUR DTRX3	4
Caractéristiques	4
Appareils compatibles pour l'emploi avec le récepteur DTRX3	5
Exemples d'installations	5
Câbles	6
INSTALLATION	7
Déballage	7
Contrôle des caractéristiques techniques	7
Dip-Switch et pontets de configuration	7
CONFIGURATION DU RECEPTEUR	8
Programmation du numéro d'identification du récepteur	8
Modalités de communication du DTRX3	8
Enclenchement de la charge dans la ligne RS485	8
Type d'objectifs contrôlés	9
Réglage du protocole et de la vitesse de communication	9
Réglage de la tension de contrôle de la tourelle et de l'essuie-glace	10
Réglage des auxiliaires AUX3 / AUX4	10
Câblage avec le pupitre	10
Branchement à la ligne RS485	11
<i>Branchement de plusieurs récepteurs en cascade (branchement point-point)</i>	11
<i>Plusieurs récepteurs par ligne, branchement avec câble bifilaire torsadé (branchement multipoint)</i>	12
<i>Configurations mixtes (entre points fixes / multipoint)</i>	13
Branchement à la ligne en boucle de courant	13
Branchement à la ligne RS232	14
Réglage de la tension de contrôle de l'optique	15
Branchement des câbles de la tourelle et des optiques	15
REGLAGE DU RECEPTEUR POUR LES FONCTIONS DE PRÉSÉLECTION	15
TEST DU RECEPTEUR DTRX3	16
EMPLOI DES CONTACTS D'ALARME	17
Modalité de fonctionnement du AUX4	17
AUXILIAIRES AUX1 ET AUX2	17
TOUCHES LOCALES DE DEPLACEMENT DE LA TOURELLE	17
COMMANDES PELCO D RECONNUES PAR LE RECEPTEUR DTRX3	18
ALLUMAGE ET COUPURE	19
ENTRETIEN	19

RESOLUTION DE PROBLEMES.....	19
TABLEAU DE LA CONFIGURATION DES DIPS SWITCH SW4 ET SW6.....	20
CARACTÉRISTIQUES TECHNIQUES.....	20
DESCRIPTION DU RÉCEPTEUR DTRX324	21
Appareils compatibles pour l'emploi avec le récepteur DTRX324	21
CARACTÉRISTIQUES TECHNIQUES.....	22

Le constructeur décline toute responsabilité pour d'éventuels dommages dus à une utilisation non conforme des appareils mentionnés dans ce manuel; soucieux d'améliorer la qualité de nos produits, nous nous réservons le droit d'en modifier à tout moment les caractéristiques sans préavis. En outre nous précisons que les photos, dessins et caractéristiques techniques contenus dans ce manuel ne sont pas contractuels.

Introduction

Contenu de l'emballage

- 1 récepteur DTRX3
- 1 manuel d'emploi
- 2 bouchons PG11
- 4 pattes de fixation murales

Lors de la livraison du produit, vérifier si l'emballage est complet et s'il n'a pas subi de détériorations pendant le transport. Si l'emballage présente des signes évidents de dommage, contacter immédiatement le fournisseur. Vérifier que le contenu correspond à la liste du matériel indiquée ci-dessus.

Contenu du manuel

Ce manuel décrit le récepteur DTRX3, et les procédures particulières d'installation, de configuration et d'emploi; Il est donc nécessaire de le **lire attentivement**, en prêtant une attention particulière au chapitre concernant les normes de sécurité, **avant d'installer et d'utiliser le DTRX3**.

Conventions typographiques

La signification des différents symboles utilisés dans le manuel sont résumés ci-dessous



Risque de décharge électrique; couper l'alimentation avant de procéder à toute opération, sauf indication contraire.



L'opération décrite est très importante pour le fonctionnement correct du système: lire attentivement la procédure indiquée, et l'exécuter suivant les modalités prévues.



Description des caractéristiques du système: lire attentivement pour comprendre les phases suivantes.

Normes de sécurité



Le récepteur DTRX3 est conforme aux normes en vigueur au moment de la publication de ce manuel pour ce qui concerne la sécurité électrique, la compatibilité électromagnétique et les conditions requises générales.

On désire toutefois garantir les utilisateurs (technicien, installateur et opérateur) en précisant certaines instructions pour opérer en toute sécurité:

- Raccorder à une feeder suivant les indications des plaques des caractéristiques techniques (voir le chapitre suivant *Caractéristiques techniques*)
- La prise d'alimentation doit être raccordée à la terre conformément aux normes en vigueur
- Avant de déplacer ou effectuer des interventions techniques sur l'appareil, débrancher la prise d'alimentation
- Ne pas employer de câbles de tension avec signes d'usure ou vieillissement, parce qu'ils peuvent compromettre sérieusement la sécurité des utilisateurs
- L'installation de l'appareil (et du système complet dont il fait partie) doit être effectuée par une personne qualifiée du point de vue technique
- L'appareil doit être ouvert seulement par techniciens qualifiés; La dégradation de l'appareil annule les termes de la garantie
- Ne pas employer l'appareil en présence de substance inflammables
- Ne pas laisser des enfants ou des personnes non qualifiées utiliser l'appareil.
- Vérifier si l'appareil est fixé de façon solide et fiable
- L'appareil est désactivé seulement quand l'alimentation est débranchée et que les câbles de raccordement avec d'autres dispositifs ont été enlevés.
- En amont de l'alimentation du DTRX3 prévoir un dispositif de protection électrique (fusible ou disjoncteur)
- Pour le service après-vente s'adresser exclusivement au personnel technique autorisé
- Conserver soigneusement ce manuel pour toute consultation ultérieure

Caractéristique techniques



Sur le récepteur DTRX3 il y a deux plaques conformes aux caractéristiques CE.

La première plaque contient:

- Code d'identification du modèle (code à barre Extended 3/9)
- Tension d'alimentation (Volt)
- Fréquence (Hertz)
- Consommation (Watt)

La deuxième plaque indique le numéro de série du modèle (code a barre Extended 3/9). Lors de l'installation vérifier si les caractéristiques d'alimentation du récepteur correspondent aux caractéristiques requises. L'emploi d'appareils non appropriés peut compromettre sérieusement la sécurité du personnel et de l'installation.

Description du récepteur DTRX3



Le DTRX3 est un récepteur de commandes à microprocesseur pour le contrôle à distance de tourelles et objectifs motorisés, essuie-glace, pompe lave-glace ainsi que de 4 fonctions auxiliaires.

Caractéristiques

- 17 fonctions: HAUT, BAS, GAUCHE, DROITE, AUTO, ESSUIE-GLACE, LAVE-GLACE, ZOOM TELE, ZOOM GRANDANGLE, FOCUS PRES, FOCUS LOIN, IRIS OUVERT, IRIS FERME, AUX1, AUX2, AUX3, AUX4
- Alimentation caméra 12 V⁻⁻⁻ max 350mA (AUX1) et 24 V[~] max 180mA (AUX2)
- 2 contacts secs 1 A 230 V[~] ou 1A 24 V[~] (AUX3 e AUX4)
- Adressage par les Dip Switch ou par les Switch rotatives (capacité 999 décodeurs)
- Entrée sérielle sélectionnable RS-232 / Boucle de Courant / RS485
- Vitesse de communication sélectionnable (38400 / 19200 / 9600 / 4800 / 2400 / 1200 / 300 Baud)
- Répéteur RS232, RS485 et Boucle de Courant pour câblage en ligne bus
- Prévu pour objectif fonctionnant soit par inversion de polarité, soit par fil commun
- Led de présence d'alimentation
- Led fonction active
- EEPROM mémorisation options actives
- Microcontrôleur 16 Bit avec mémoire Flash reprogrammable
- Trimmer réglage tension objectif (de 3 V⁻⁻⁻ jusqu'à 12 V⁻⁻⁻)
- Fonctions PRESELECTION / SCAN / PATROUILLE avec identification automatique des fonctions présentes
- Possibilité de mémoriser jusqu'à 14 positions de Présélection (tourelle, objectif) avec protocole standard Videotec et 40 positions avec protocole MACRO et le protocole Pelco D (pupitres DCJ, DCT, DCIR)
- 4 contacts d'alarmes configurables comme N.O. ou N.F.

Appareils compatibles pour l'emploi avec le récepteur DTRX3



ATTENTION! Si on utilise le récepteur DTRX324, se reporter au paragraphe 17.1 Appareils compatibles pour l'emploi avec le récepteur DTRX324.

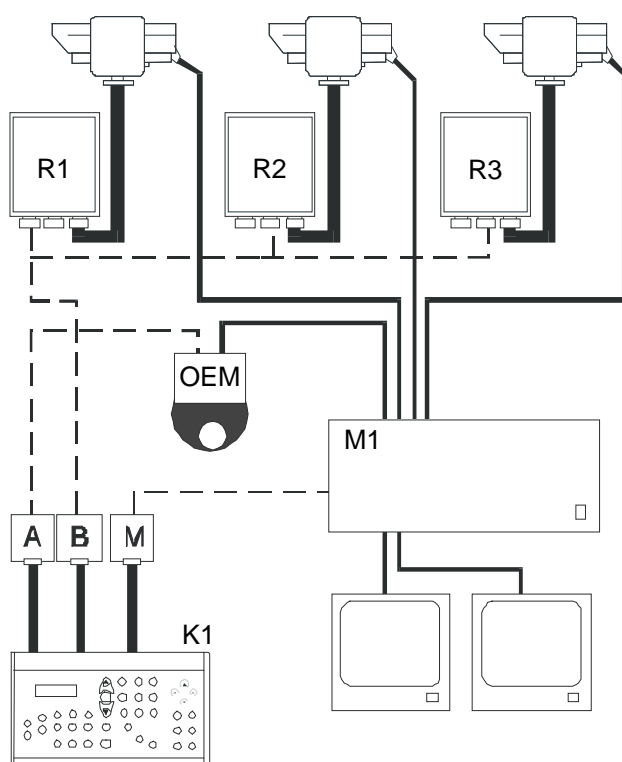
- Pupitres: **DCT, DCJ, DCTEL, DCIR, DCS3, DCS2, DCMT8**
- Tourelles: **PTH310/PTH310P, PTH311/PTH311P, PTH910/PTH910P, PTH911/PTH911P, NXPTH210, NXPTH211C**
- Contrôleur de communications: **DCMX**
- Distributeur de données sérielles: **DCRE485**

Se rapporter aux manuels d'emploi correspondants pour une description complète des caractéristiques des appareils.

Exemples d'installations



Un opérateur avec plusieurs moniteurs, contrôle une série de tourelles en configuration mixte:



MATERIEL

Partie de commande:

- 1 pupitre DCS3

Vidéo:

- 2 moniteurs
- 3 caméras (+1 dans le récepteur OEM)
- 1 matrice vidéo SW328

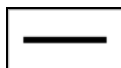
Télémetrie:

- 3 récepteurs DTRX3
- 3 tourelles PTH910P (PTH911 avec le récepteur DTRX324)
- 1 récepteur OEM (avec caméra incorporée)

Câbles

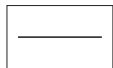


Dans les exemples, des traits différents ont été employés pour indiquer des câbles à fonctions diversifiées:



Câble téléphonique:

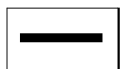
1,5 m, équipé avec la tourelle.



câble vidéo:

coaxial RG 59 ou câble équivalent.

Pour des longues distances on conseille un système de transmission vidéo sur un câble torsadé.



câble multipolaire:

chaque fonction de commande tourelle est activée / désactivée par un relais à l'intérieur du récepteur.

Déterminer le nombre final de câbles, suivant les indications ci-dessous:

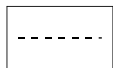
- 7 fils pour le mouvement de la tourelle (230 V~ o 24 V~): droite, gauche, haut, bas, autopan, commun, terre (seulement pour 230V~)
- 6 fils de commande pour objectif fonctionnant par inversion de polarité (zoom, focus, iris)
- 4 fils de commande pour objectif fonctionnant par fil commun (zoom, focus, iris)
- 7 fils pour la gestion de preselection: 5 reliés aux potentiomètres de référence, +5 V⁼⁼ et masse
- 4 fils pour l'essuie-glace
- 3 fils pour le lave-glace
- 2 fils pour chaque auxiliaire employé
- 3 fils pour le câble d'alimentation

Note: on conseille l'emploi de câbles multipolaires différents pour les fonctions en basse tension et haute tension.

Section conseillée de minimum: 0,56 mm² (AWG 20) pour fils en haute tension (tourelle, essuie-glace, laveglace)

0,34 mm² (AWG 22) pour fils en basse tension (objectif, auxiliaire, preselection)

0,75 mm² (AWG 18) pour fils de l'alimentation du DTRX3



câble pour la réception/transmission numérique des commandes:

2 fils pour la réception de l'unité de commande (boucle téléphonique, section 0,22 mm² AWG 24)

2 fils pour l'éventuelle transmission au récepteur suivant dans les configurations en ligne bus (boucle téléphonique, section 0,22 mm² AWG 24)

Note: la max. distance du raccordement est de 15 m à peu près en RS232; 1500 m en Boucle de Courant; 1200 m en RS485.



ATTENTION! Dans le cas d'une liaison en ligne bus entre plusieurs récepteur, il est nécessaire employer deux câbles séparés pour la réception et la transmission numérique des commandes (ne pas employer câbles multiconducteurs) entre les récepteurs.

Installation



L'installation doit être effectuée seulement par un technicien qualifié.



Les procédures suivantes sont effectuées sans alimentation, sauf avis contraire.

Déballage

Si l'emballage ne présente pas de défauts apparents (dus aux chutes ou frottements), contrôler le matériel contenu, selon la liste du paragraphe *Contenu de l'emballage* au chapitre *Introduction*. L'emballage est fait entièrement en matériel recyclable. Le technicien devra l'éliminer suivant les modalités en vigueur, ou en tout cas selon les normes en vigueur dans le pays d'emploi.

Contrôle des caractéristiques techniques

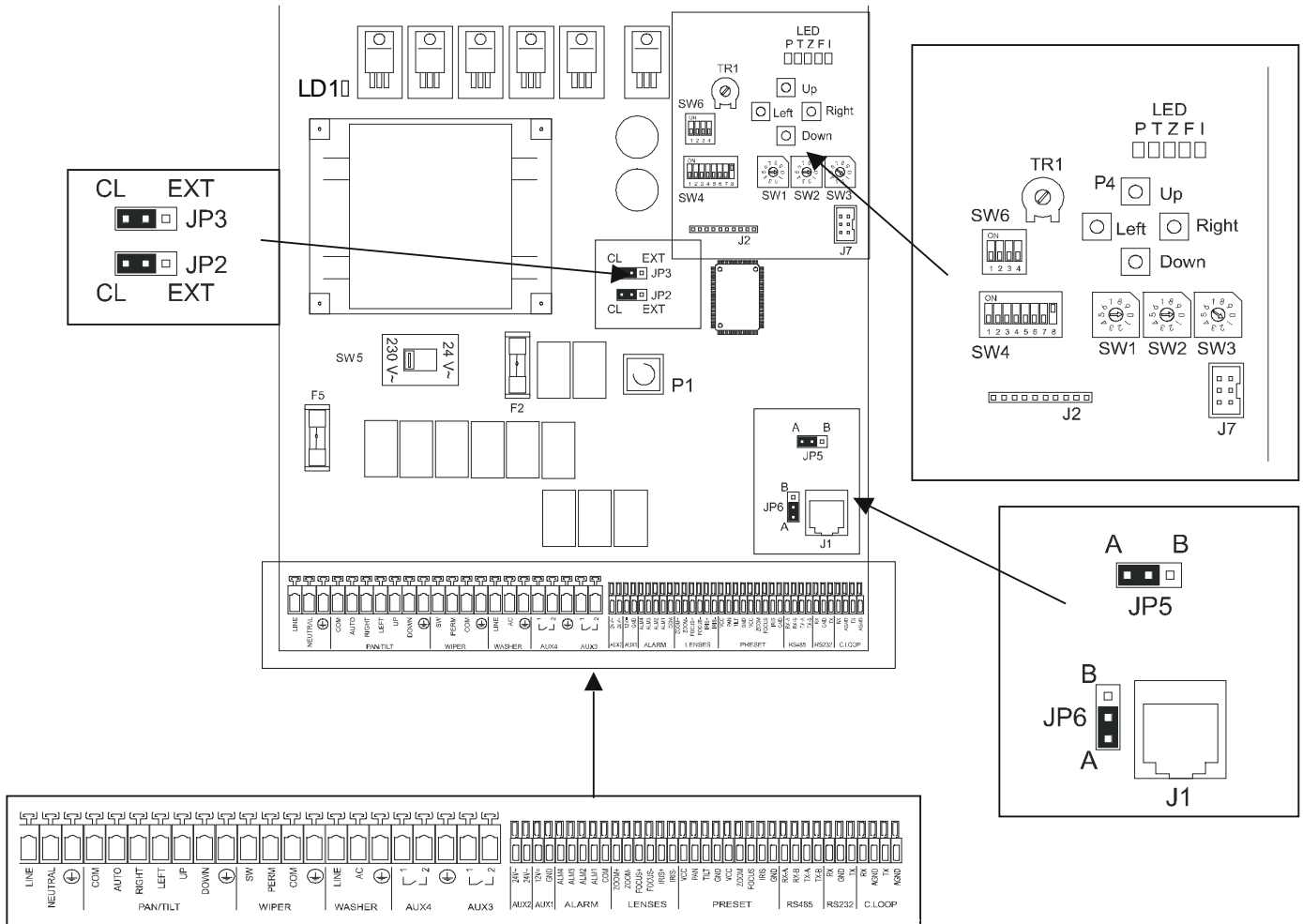


Avant d'installer l'appareil, vérifier si les caractéristiques techniques du matériel fourni, figurant sur les plaques, correspondent aux spécifications requises, en se rapportant au chapitre *Caractéristiques techniques*. Ne jamais effectuer des modifications ou des branchements non prévus dans ce manuel: l'emploi d'appareils non appropriés peut compromettre sérieusement la sécurité des personnes et de l'installation.

Dip-Switch et pontets de configuration



Dans le schéma suivant identifier les Dip-switch et les pontets de configuration:



Configuration du récepteur



La configuration permet d'obtenir un fonctionnement optimal du récepteur, selon les nécessités de l'installation. La configuration doit être effectuée par un technicien qualifié seulement au moment de l'installation. Procéder par ordre à la configuration des paramètres, afin d'éviter des problèmes de mise en service.

Les paramètres à introduire pendant la configuration sont:

- Numéro d'identification du récepteur
- Réglage du mode de communication et du protocole
- Type d'objectifs employés
- Réglage du protocole et de la vitesse de communication
- Réglage de la tension de contrôle de la tourelle et de l'essuie-glace (Wiper)
- Réglage de la tension de contrôle de l'objectif
- Position des fonctions auxiliaires AUX3 / AUX4
- Liaison avec l'unité de commande
- Raccordement des câbles de la tourelle et de l'objectif
- Réglage des alarmes
- Test des fonctions actives du récepteur (pour les opérations de présélection).

Programmation du numéro d'identification du récepteur

Configurer les switches rotatives SW1, SW2 et SW3, en fonction de l'adresse que l'on veut attribuer au récepteur, de la façon suivante :

SW1 : Centaines
SW2 : Dizaines
SW3 : Unités

Exemples:

Adresse récepteur n.359
Programmer SW1 sur 3, SW2 sur 5 et SW3 sur 9.

Adresse récepteur n.27
Programmer SW1 sur 0, SW2 sur 2 et SW3 sur 7.

Adresse récepteur n.4
Programmer SW1 sur 0, SW2 sur 0 et SW3 sur 4

Modalités de communication du DTRX3

En fonction du type de communication choisie, exécuter les positions suivantes:

Boucle de courant: JP2 et JP3 en position CL
RS485: Voir ci-dessous (*Enclenchement de la charge dans la ligne RS485*)
RS232: Aucune programmation n'est nécessaire

Enclenchement de la charge dans la ligne RS485

Où agir: Jumper JP5 et JP6

JP5 en position A: charge enclenchée en réception RS485
JP5 en position B: charge désenclenchée en réception RS485
JP6 en position A: charge enclenchée en transmission RS485
JP6 en position B: charge désenclenchée en transmission RS485

Type d'objectifs contrôlés



ATTENTION! : La sélection incorrecte du type d'objectifs peut être cause d'endommagement des optiques!.

Le DTRX3 peut contrôler soit des objectifs à inversion de polarité, soit à fil commun. En cas d'objectifs à fil commun connecter le fil commun a FOCUS-.

Réglage du protocole et de la vitesse de communication



ATTENTION! La sélection erronée du protocole et/ou de la vitesse de communication peut causer le mal fonctionnement du récepteur.

Le DTRX3 a été prévu pour l'usage dans des systèmes de transmission digitale et il peut effectuer communications avec une vitesse de 300 à 38400 baud, selon le protocole utilisé.

Où agir: interrupteurs 1,2 et 8 du SW4 et 1 du SW6

Réglages:

Protocole - Baud rate	SW6	SW4		
	Dip 1	Dip 1	Dip 2	Dip 8
Videotec - 300 baud	OFF	ON	OFF	ON
Videotec - 1200 baud	OFF	OFF	ON	ON
Videotec - 9600 baud*	OFF	OFF	OFF	ON
Videotec - 19200 baud	OFF	ON	ON	ON
MACRO - 1200 baud	OFF	OFF	ON	OFF
MACRO - 9600 baud	OFF	OFF	OFF	OFF
MACRO - 19200 baud	OFF	ON	ON	OFF
MACRO - 38400 baud	OFF	ON	OFF	OFF
Pelco D - 2400 baud	ON	OFF	OFF	**
Pelco D - 4800 baud	ON	ON	OFF	**
Pelco D - 9600 baud	ON	OFF	ON	**
Pelco D - 19200 baud	ON	ON	ON	**

NOTES:

* Réglage de default

** Indifferente impostation du dip; ON ou OFF

Réglage de la tension de contrôle de la tourelle et de l'essuie-glace



ATTENTION!: Une sélection erronée, lors de ce réglage, peut entraîner l'endommagement de la tourelle et de l'essuie-glace!



Le récepteur DTRX324 n'a pas besoin de cette réglage car il fournit une tension d'alimentation de 24 V~ seulement.

Contrôler la tension de fonctionnement de la tourelle et de l'essuie-glace: généralement cette tension est indiquée par une étiquette placée sur le produit.

Où agir: Switcher SW5

Réglage:

- alimentation de la tourelle et de l'essuie-glace, 24 V~: SW5 en position 24V~
- alimentation de la tourelle et de l'essuie-glace 230 V~: SW5 en position 230V~.

Réglage des auxiliaires AUX3 / AUX4

Il est possible d'actionner les auxiliaires AUX3 / AUX4 par le réglage du dip 6 du switch SW4:

- dip 6 du switch SW4 sur OFF (default): l'opérateur doit appuyer la touche une première fois pour activer l'auxiliaire et une seconde fois pour le désactiver
- dip 6 du switch SW4 sur ON: la fonction reste activée tant que la touche est maintenue appuyée

NB: l'auxiliaire AUX4 peut aussi être actionné par contact d'alarme. Pour une description détaillée de cette fonction, consulter le paragraphe concernant les contacts d'alarme.

Câblage avec le pupitre

Le connecteur J1 (voir figure de page 7) du circuit permet la réception et la transmission de données numériques en RS232 ou RS485 avec un raccordement rapide des appareils pendant les opérations de test ou pour le raccordement d'interfaces de conversion présentes sur le marché (RS232-fibre optique).

Pour le raccordement définitif de l'installation, nous conseillons vivement le branchement direct sur le bornier, que ce soit en RS485 (distance maximum 1200 mètres), ou en boucle de courant (distance maximum conseillée 1500 mètres), et de n'utiliser la prise RJ que pour les essais et tests.

Branchement à la ligne RS485

Le pupitre DCS3, DCJ, DCT et DCTEL et le récepteur DTRX3 peuvent être directement branchés avec un câble téléphonique fourni par le fabricant en utilisant le connecteur RJ11 (J1 dans la figure de page 7) présent dans le circuit selon le tableau de référence reporté ci-après.

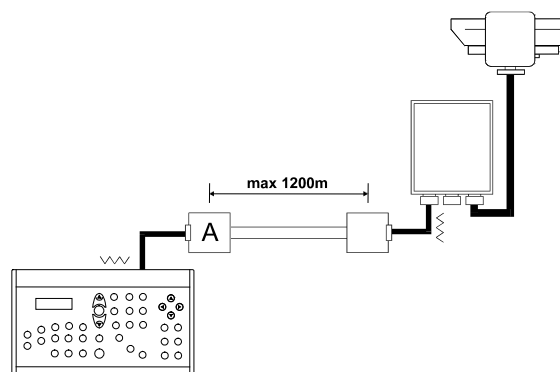


Branchement pupitre - récepteur DTRX3

Modalité de communication RS485:

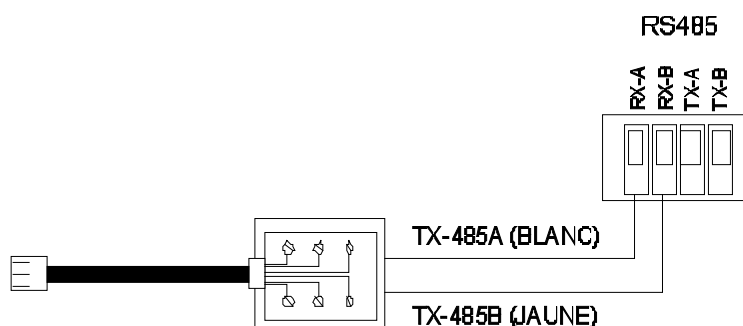
distance max. 1200 mètres

Pupitre (RJ11 A ou B)		DTRX3
TX-485A Blanc	-----	Bleu RX-485A
TX-485B Jaune	-----	Noir RX-485B

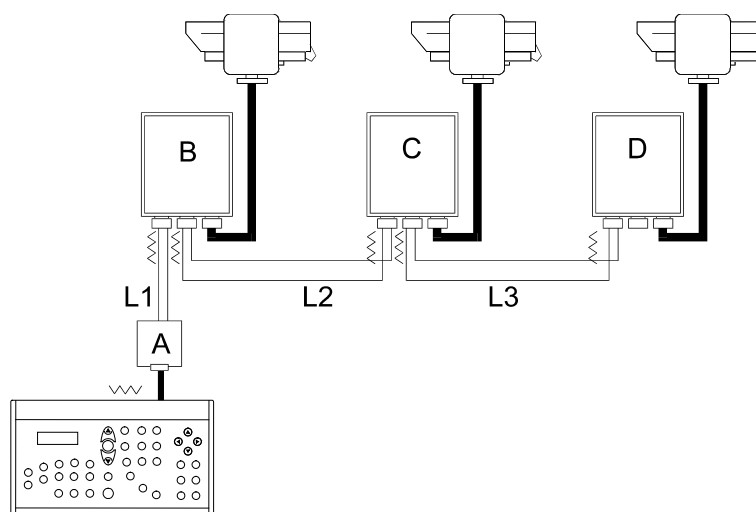


Note: Le récepteur DTRX3 a sa charge enclenchée en réception et il est branché à la ligne A ou B du pupitre avec charge enclenchée.

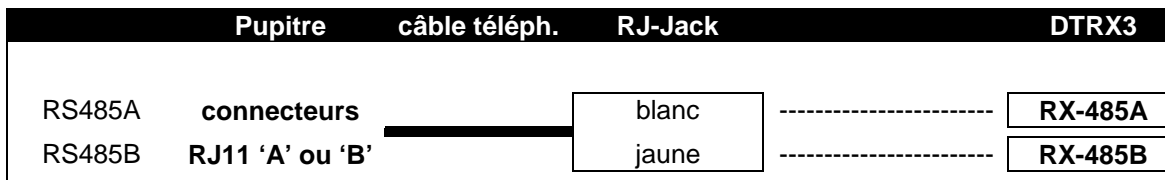
Du côté du récepteur, il est aussi possible de se brancher plus simplement aux bornes RX-485A et RX-485B selon le schéma suivant.



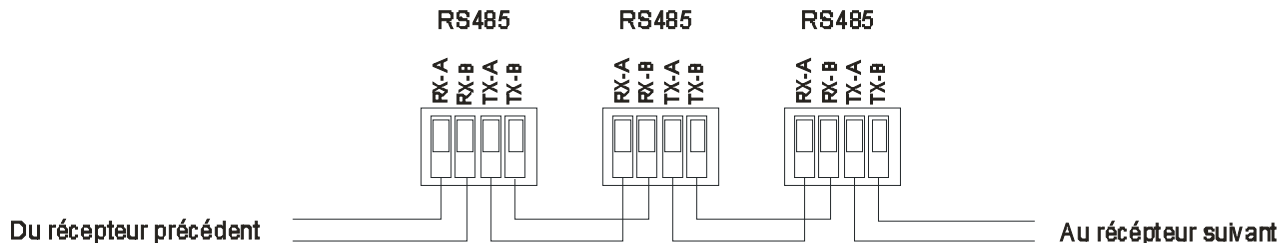
Branchement de plusieurs récepteurs en cascade (branchement point-point)



Les récepteurs DTRX3 peuvent régénérer le signal reçu de façon interne et le renvoyer sur une nouvelle ligne de communication vers le récepteur suivant. Chacune des trois distances de ligne (L1, L2, L3) est considérée indépendante, et relie point-point seulement deux dispositifs, tous deux avec charge enclenchée, sur une longueur maximale de 1200 mètres. La distance entre pupitre et récepteur D peut donc atteindre 3600 m (1200 m entre le pupitre et le récepteur B, 1200 m entre le récepteur B et le récepteur C, et 1200 m supplémentaires entre le récepteur C et le récepteur D, pour un total de 3600 m).



Note: les bornes RX-485A et RX-485B qui présentent leur charge enclenchée, doivent être reliées, respectivement, aux bornes TX-485A et TX-485B de l'unité précédente ayant elle aussi sa charge enclenchée:

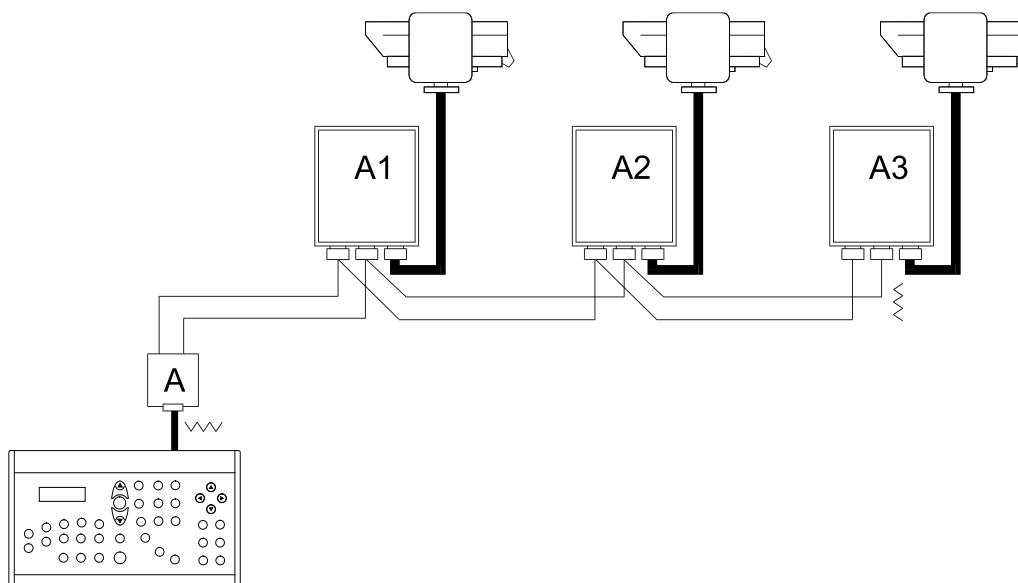


NB: Dans le cas du branchement en question (point-point), le dysfonctionnement d'un des récepteurs comporte l'interruption des dispositifs en cascade.

Plusieurs récepteurs par ligne, branchement avec câble bifilaire torsadé (branchement multipoint)

Tous les récepteurs branchés à une même ligne doivent utiliser le même protocole de communication RS485. Les considérations suivantes sont valables pour chacune des lignes:

- seulement un des pupitres (celui qui est placé à un bout de la ligne) présente sa charge enclenchée
- seulement un des récepteurs (placé à l'autre bout de la ligne) présente sa charge enclenchée
- la longueur totale de la ligne ne doit pas dépasser 1200 m



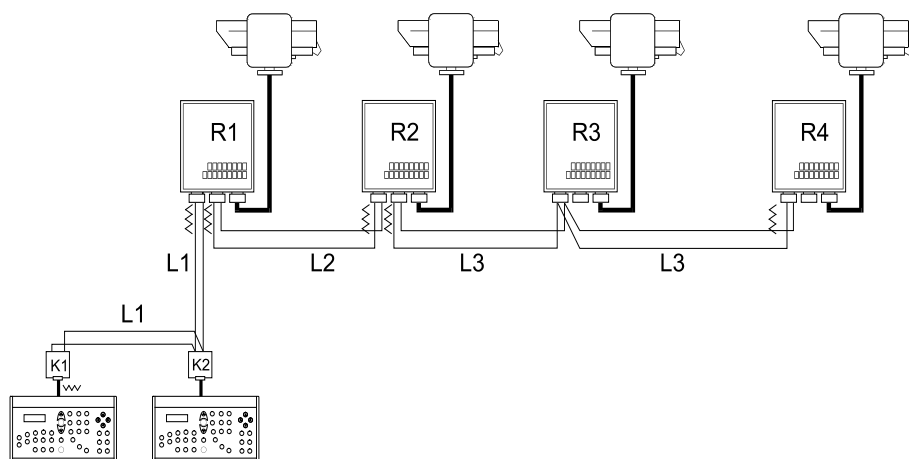
On a utilisé la ligne A du pupitre DCS3 pour la communication vers la télémétrie. Les extrêmes (Pupitre - Récepteur A3) doivent avoir leur résistance de terminaison enclenchée. Les récepteurs A1, A2 ne doivent pas avoir leur résistance de terminaison enclenchée. La longueur maximale de la ligne, d'un bout à l'autre (du pupitre au récepteur A3), est de 1200 mètres.

NB: Dans le cas du branchement en question (multipoint), le dysfonctionnement d'un des dispositifs n'influence pas les autres récepteurs.

Configurations mixtes (entre points fixes / multipoint)

C'est une combinaison de deux modes de branchement précédents qui, selon la combinaison choisie, permet de profiter au mieux des avantages des deux types de branchement réduisant aussi de façon significative la possibilité de dysfonctionnement.

Voici un exemple de branchement mixte:



Dans l'exemple proposé, un éventuel blocage du récepteur R3 (branché en multipoint sur la ligne L3) ne cause pas de dysfonctionnement du récepteur R4. R3 n'est pas au bout de la ligne L3, il ne doit pas avoir la résistance de terminaison enclenchée.

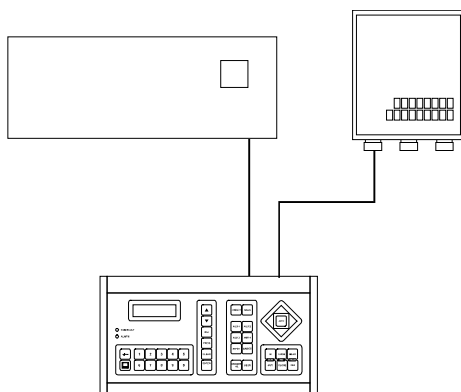
SSi le récepteur R2 devait se bloquer, étant donné qu'il est le 'générateur' de la ligne L3, tous les récepteurs branchés à celui-ci en cascade (R3 et R4) ne recevraient pas de commandes.

Branchement à la ligne en boucle de courant

Les différents dispositifs (pupitre DCS2, matrice vidéo SM328B et récepteur DTRX3) peuvent être directement branchés avec d'un câble téléphonique fourni par le fabricant:



Branchement DCS2 - récepteur DTRX3

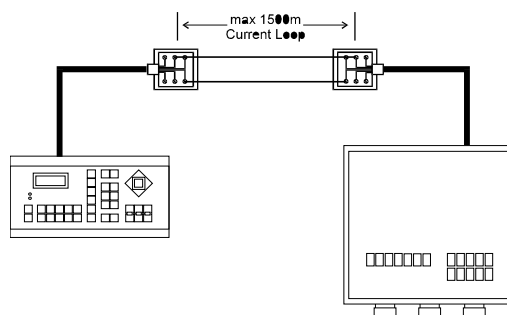


Pour les connexions normales sur le lieu de travail, se référer aux branchements effectués à travers les boîtes de dérivation RJ, fournies par le fabricant, d'après les tableaux de référence reportés ci-dessous:

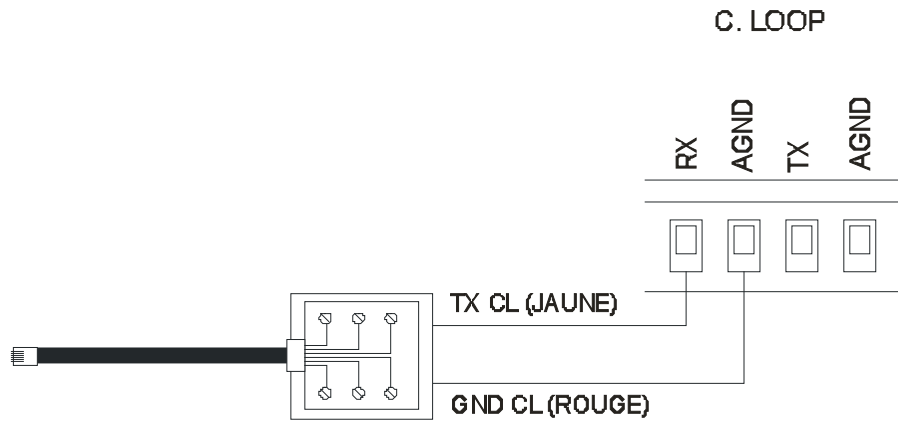
Modalité de Communication en boucle de courant:

distance max. 1500 mètres du DTRX3;
jumpers JP2 et JP3 en position CL.

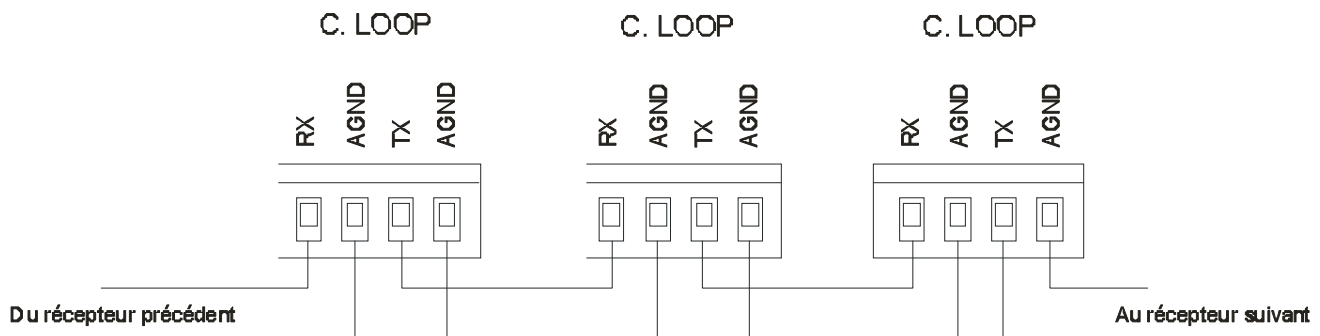
DCS2 / DCMT8		DTRX3
TX CL Jaune	-----	Borne RX CL
GND CL Rouge	-----	Borne AGND



Note: du côté Récepteur, le branchement doit être effectué aux bornes RXCL et AGND selon le schéma suivant:



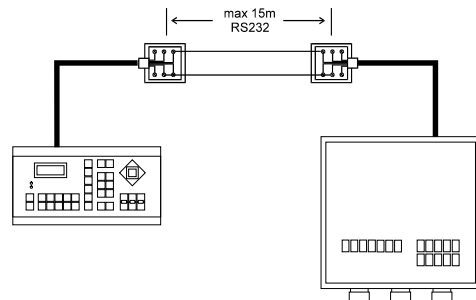
- si le récepteur est branché en cascade à une autre unité DTRX3, la modalité de réception doit être réglée en Boucle de courant par les jumpers JP2 et JP3 en position CL.
- les bornes RX CL et AGND doivent être branchées, respectivement, aux bornes TX CL et AGND de l'unité précédente selon le schéma suivant:



Branchement à la ligne RS232

Branchement RS232: distance max. 15 mètres.

DCS2/DCMT8		DTRX3
TX RS232 Noir	-----	Jaune RX RS232
GND RS232 Vert	-----	Rouge GND RS232



Réglage de la tension de contrôle de l'optique

- brancher le câble d'alimentation et alimenter l'unité DTRX3 (LD1 allumée)
- enclencher une charge entre les bornes FOCUS NEAR et FOCUS FAR, qui absorbe au moins 10 mA (utiliser une résistance ayant une valeur comprise entre 100 et 1000 ohm)
- placer les embouts du testeur sur les bornes FOCUS NEAR et FOCUS FAR
- maintenir enclenchée une des deux touches FOCUS sur l'unité de commande
- régler la tension de contrôle de l'optique en tournant le trimmer TR1 (standard 12V $\overline{---$)

NB: éviter de régler la tension à vide (sans enclencher la charge) autrement le réglage sera erroné.

Branchement des câbles de la tourelle et des optiques



ATTENTION! Avant d'effectuer les opérations suivantes, s'assurer que la tension de contrôle de la tourelle et la programmation du type d'optiques utilisé soient correctes.

- enlever l'alimentation à l'unité
- effectuer les branchements avec l'optique et la tourelle
- donner l'alimentation à l'unité



En cas d'optiques et de tourelles avec fonctions de PRÉSÉLECTION (PAN, TILT, ZOOM, FOCUS et IRIS, VCC et GND), la longueur maximale des câbles de présélection ne doit pas dépasser 5 mètres, sous peine d'avoir des erreurs importantes de positionnement.

Règlage du récepteur pour les fonctions de PRÉSÉLECTION

Le récepteur DTRX3 présente les fonctions de présélection intégrées (concernant la tourelle et les optiques). Il est possible de mémoriser jusqu'au maximum 14 positions en utilisant le protocole Videotec standard, ou jusqu'au maximum 40 positions en utilisant les protocoles MACRO et Pelco D. Toutes les positions sont commandées par le pupitre avec les fonctions de Scan et de Patrol. Le récepteur peut reconnaître de façon automatique avec un test les fonctions de présélection qui sont présentes, il est donc facile de configurer le dispositif. Il est toutefois nécessaire de prendre quelques précautions:

- avant d'effectuer le test du récepteur (qui détermine quelles sont les fonctions de présélection actionnées), s'assurer d'avoir branché correctement les câbles concernant la tourelle et les optiques.
- pour les câbles de présélection (PAN, TILT, ZOOM, FOCUS, IRIS, VCC et GND), utiliser des câbles d'une longueur inférieure à 5 mètres.

Test du récepteur DTRX3

Après avoir raccordé la tourelle et l'objectif, pour vérifier le fonctionnement correct des appareils il est **nécessaire** de lancer la procédure de test automatique qui va révéler les fonctions disponibles.



ATTENTION! La tourelle a un mouvement automatique pendant le test. Ne pas appuyer sur elle, ne pas empêcher sa course par des obstacles.

Procéder selon les indications suivantes:

1. allumer le récepteur
2. identifier la touche flèche Up (touche P4) et la touche du reset (**touche P1**)
3. en tenant la touche Up appuyée, presser la touche du reset
4. relâcher la touche du reset (en tenant la touche Up appuyée): on commence le test automatique
5. après environ un second, au début du test, relâcher la touche Up.

Le récepteur active une fonction à la fois, pour à peu près 3 secondes.

- Pan: gauche-droit (led P)
- Tilt: bas-haut (led T)
- Zoom: wide-tele (led Z)
- Focus: far-near (led F)
- Iris: close-open (led I)

Le résultat du test est indiqué par les 5 led de contrôle P, T, Z, F, I (qui se trouvent sur la partie du récepteur près des touches-flèche, voir figure à page 7), à la fin du mouvement de la tourelle et des objectifs:

- led fixe allumé: la fonction correspondante (pan P, tilt T, zoom Z, focus F, iris I) marche correctement
- led allumé clignotant: la fonction correspondante ne fonctionne pas correctement et elle ne peut pas être utilisée pour les opérations de preset/scan/patrol

Quelques secondes après la fin du test, le récepteur se règle automatiquement pour reprendre le fonctionnement normal.



ATTENTION! Un clignotement d'au moins un de led à la fin du test (à condition que cette fonction soit présente) indique un mauvais fonctionnement auquel il faut remédier avant de faire remarcher le récepteur !

Emploi des contacts d'alarme

Les quatre contacts d'alarme existant sur le récepteur DTRX3 sont reliés aux premières quatre positions de présélection; quand l'alarme est activée la position de la tourelle et de l'objectif correspond à la présélection. Le DTRX3 peut recevoir une commande d'alarme aussi par le pupitre de commande DCS2 et DCS3 (qui, à son tour, le reçoit des matrices SM84B/SM164B ou SM328B); dans ce cas tourelle et objectif se placent à la position de préposition n.1.

Pour employer les contacts d'alarme il est nécessaire régler le SW4 selon les indications:

- dip 3 de SW4 en position ON: contacts d'alarme activés
- dip 3 de SW4 en position OFF: contacts d'alarme désactivés
- dip 4 de SW4 en position ON: contacts normalement ouverts
- dip 4 de SW4 en position OFF: contacts normalement fermés

Modalité de fonctionnement du AUX4

Où agir : dip 5 de SW4

Réglages:

- dip 5 de SW4 à OFF: fonctionnement normal
- dip 5 de SW4 à ON: AUX4 s'actionne quand une alarme est activée et se neutralise quand le signal d'alarme cesse

Auxiliaires AUX1 et AUX2

Les sorties AUX1 (12 V⁼⁼, max 350 mA) et AUX2 (24 V⁻, max 180 mA) peuvent être utilisés pour alimenter une caméra.

Pour fournir tension de sortie, il est nécessaire d'activer l'auxiliaire correspondant via la commande AUX ON.

Pour désactiver un auxiliaire (aucune sortie de tension), utilisez la commande AUX OFF relative.



Le récepteur DTRX3 maintient la mémoire du dernier état des auxiliaires AUX1 et AUX2, même en cas de coupure.

Touches locales de déplacement de la tourelle

Le récepteur DTRX3 présente 4 touches locales (sur carte) pour le déplacement de la tourelle dans les quatre directions (Up, Down, Left, Right, voir figure page 7); elles sont très utiles en phases d'installation pour déplacer la tourelle afin de contrôler la position des fins de course et/ou la bonne installation de la tourelle. Les touches avec flèche ont priorité absolue, aussi quand elles sont enclenchées neutralisent-elles momentanément l'utilisation à distance (par le pupitre) du récepteur. Quand les touches avec flèche sont relâchées, la fonctionnalité du récepteur est entièrement rétablie.

La touche Up associée à la touche de réinitialisation sert à exécuter l'autotest (voir chapitre correspondant au *Test du récepteur DTRX3*).

Commandes Pelco D reconnues par le récepteur DTRX3

Outre les commandes standards Pelco D relatives aux mouvements de la tourelle et du système optique, le récepteur DTRX3 est en mesure de reconnaître et d'effectuer également les commandes étendues Pelco D suivantes:

Commande Pelco D	Commande reconnue par le DTRX3	Notes particulières
Set Auxiliary	Aux ON	Il accepte les valeurs comprises entre 1 et 4
Clear Auxiliary	Aux OFF	Il accepte les valeurs comprises entre 1 et 4
Set Pattern Start	Autopan Toggle	--
Run Pattern	Patrouille Toggle	--
Remote Reset	Mise à zéro du récepteur	--
Go To Preset "1÷40"	Scan	Il accepte les valeurs comprises entre 1 et 40
Set Preset "1÷40"	Position de Présélection	Il accepte les valeurs comprises entre 1 et 40
Clear Preset "1÷40"	Mise à zéro de la seule position de Présélection	Il accepte les valeurs comprises entre 1 et 40
Set Preset "41"	Début de l'acquisition des paramètres pour le Patrouille (voir exemple***)	--
Set Preset "..."	Patrouille "Position De"	Il accepte les valeurs comprises entre 1 et 40
Set Preset "..."	Patrouille "Position Á"	Il accepte les valeurs comprises entre 1 et 40
Set Preset "..."	Patrouille "Pause"	Il accepte les valeurs comprises entre 1 et 99
Set Preset "42"	Patrouille Début	--
Set Preset "43"	Patrouille Arrêt	--
Set Preset "44"	Essuie-glace - Lave-glace*	--
Set Preset "45"	Washer Début**	--
Set Preset "46"	Wiper Début**	--
Set Preset "47"	Washer Arrêt	--
Set Preset "49"	Wiper Arrêt	--
Set Preset "55"	Mise à zéro de toutes les positions de	Effectuer les deux commandes en séquence
Set Preset "66"	Présélection	

NOTES:

* Procédure temporisée: durant la première période la fonction Washer (Lave-glace) est activée et successivement la fonction Wiper (Essuie-glace). La fonction Wiper (Essuie-glace) reste activée même après la coupure du Washer pour une pause de temps préétablie.

** Coupure automatique après 10 seconds

*** **Exemple de programmation d'une séquence de Patrouille.**

Pour configurer une séquence de Patrouille partant de la position de Présélection 19 et se termine dans la position de Présélection 33 en s'arrêtant durant une minute dans chacune des positions atteintes:

4 1 PRESET validation à l'acquisition des paramètres

1 9 PRESET position de début de Patrouille égale à 19

3 3 PRESET position finale de Patrouille égale à 33

6 0 PRESET pause de 60 secondes dans chaque position atteinte

4 2 PRESET début de la séquence

4 3 PRESET fin de la séquence

Allumage et coupure



Avant d'alimenter l'appareil

- vérifier si le matériel fourni, figurant sur les plaques, correspond aux spécifications requises, suivant la description au chapitre *Caractéristiques techniques*.
- vérifier si les fusibles de protection du récepteur DTRX3 sont intacts.
- contrôler si le récepteur et les composants de l'installation sont fermés, afin d'éviter le contact direct avec parties sous tension.
- vérifier si toutes les parties sont fixées solidement et de façon fiable.
- les câbles d'alimentation ne doivent pas gêner les normales opérations du technicien installateur et le mouvement de la tourelle.
- vérifier si les sources d'alimentation et les câbles de raccordement peuvent supporter la consommation du système.

Entretien



Le récepteur DTRX3 n'a pas besoin d'un entretien particulier.

On recommande de l'appuyer sur une base solide, avec les câbles d'alimentation et de raccordement positionnés de façon qu'ils ne gênent pas l'opérateur.

Résolution de problèmes



Bien que le récepteur DTRX3 se caractérise par une excellente facilité d'emploi, des problèmes peuvent se produire en phase d'installation, de configuration ou pendant l'emploi.

PROBLÈME	CAUSE PROBABLE	SOLUTION
Il led LD1 reste éteint	• Alimentation non raccordée	• Contrôler le câble d'alimentation
<i>Le led LD1 est allumé mais aucune commande n'est acceptée</i>	• Adressage erroné de la réception • Câblage incorrect • Mauvaise identification du DTRX3 • Blocage de l'unité • Vitesse de communication et protocole erronés	• En cas de réception RS485, contrôler d'avoir enclenché ou non la charge avec le jumper JP5. En cas de réception en boucle de courant, contrôler que les jumpers JP2 et JP3 soient en position CL • Contrôler les câbles de branchement • Contrôler le numéro d'identification du DTRX3 (SW1-SW2-SW3) • Appuyer sur la touche de réinitialisation P1 ou enlever l'alimentation • Contrôler la configuration des dips 1,2 et 8 de SW4 et du dip 1 de SW6
<i>La tourelle ne fonctionne pas</i>	• Mauvaise alimentation de la tourelle • Fusible détruit	• Vérifier que la tension d'alimentation de la tourelle correspond à celle fournie par le récepteur • Changer le fusible F5 (230 Vac) ou F2 (24 Vac)
<i>L'objectif ne fonctionne pas</i>	• Mauvaise tension de l'objectif	• Contrôler le réglage du trimmer TR1
<i>Les alarmes ne fonctionnent pas</i>	• Mauvaise configuration des dips alarmes	• Contrôler la programmation des dips 3, 4 et 5 de SW4
<i>En ligne bus, les unités suivantes ne fonctionnent pas</i>	• Câblage incorrect • Configuration mauvaise de la réception • Configuration mauvaise du dip-switch	• Contrôler les câbles de branchement • En cas de transmission RS485, contrôler d'avoir enclenché ou non la charge avec le jumper JP6. En cas de transmission en boucle de courant, contrôler que les jumpers JP2 et JP3 soient en position CL • Contrôler la programmation de l'adresse des unités qui ne fonctionnent pas.

Tableau de la configuration des dips switch SW4 et SW6

SW6			
Dip	Etat	Fonction	
1	ON	Protocole Pelco D	
1	OFF	Protocoles Videotec ou MACRO (en configurant le dip 8 de SW4)	
2 3 4	Aucune action	Aucune	

SW4			
Dip	Etat	Fonction	
1 2	OFF OFF	9600 baud* (Videotec et MACRO), 2400 Pelco D	
1 2	ON OFF	300 baud Videotec, 38400 baud MACRO, 4800 baud Pelco D	
1 2	OFF ON	1200 baud (Videotec et MACRO), 9600 baud Pelco D	
1 2	ON ON	19200 baud (Videotec, MACRO et Pelco D)	
3	OFF	Alarmes pas utilisés*	
3	ON	Alarmes utilisés	
4	OFF	Alarmes N.F.*	
4	ON	Allarmes N.O.	
5	OFF	--	
5	ON	Allarmes sur Aux4	
6	OFF	--	
6	ON	Aux3 et Aux4 à relâche	
7	OFF	--	
8	ON**	Protocole Videotec standard****	
8	OFF***	Protocole MACRO**** (DCJ, DCT, DCTEL et DCIR)	

NOTES:

* Programmations de default

** Valable pour les pupitres DCS3, DCS2 et DCMT8 (DCJ, DCT, DCTEL et DCIR avec protocole Videotec standard)

*** Valable pour les pupitres DCJ, DCT, DCTEL et DCIR avec protocole Macro

**** Sélectionnable uniquement si le switch 1 de SW6 est OFF

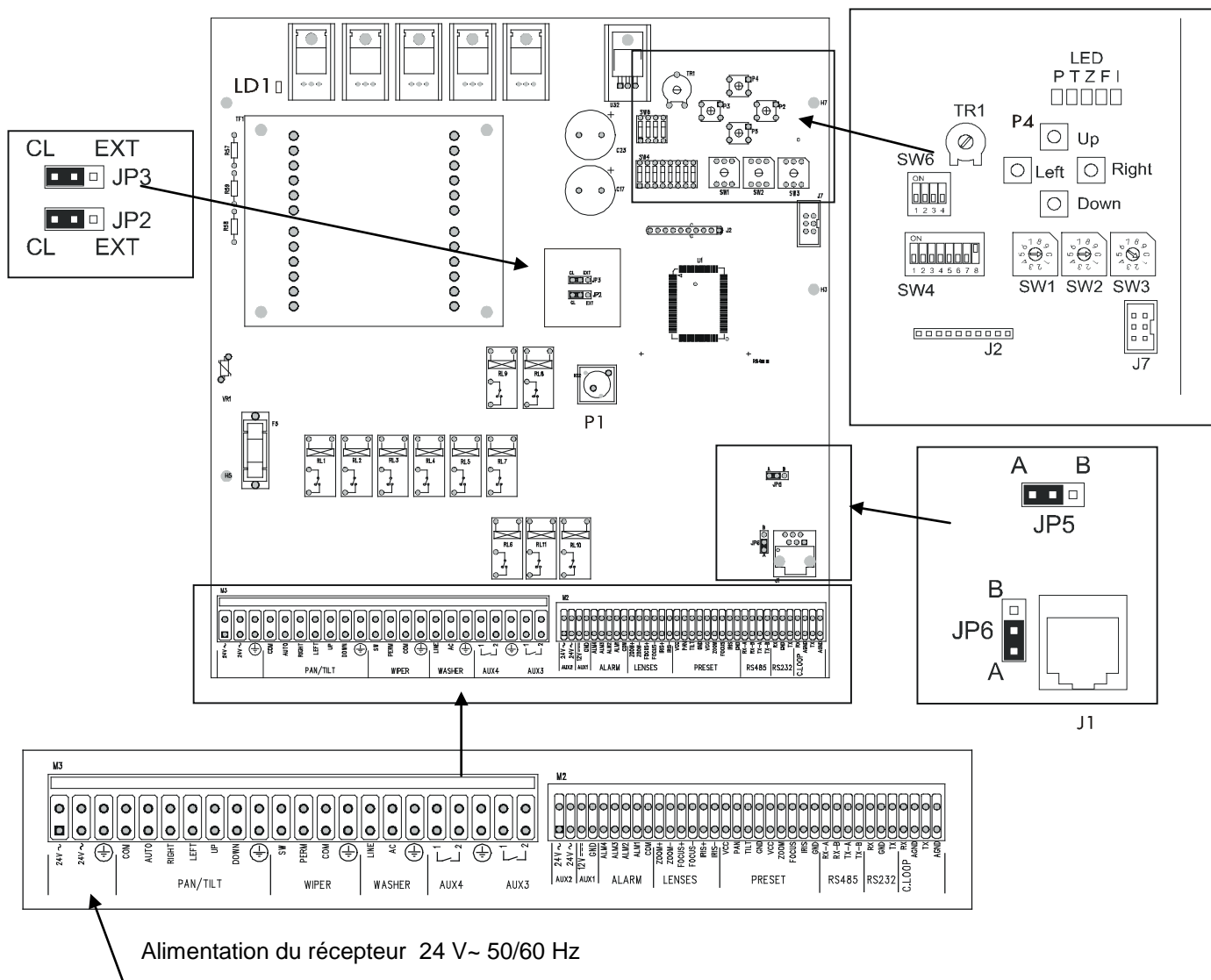
Caractéristiques techniques

Tension d'alimentation	230 V~ 50 Hz
Consommation	60 W
Puissance maximum commutable	100 W
Tension d'alimentation tourelle	24/230 V~ 50 Hz selectable
Tension d'alimentation essuie-glace	24/230 V~ 50 Hz selectable
Tension d'alimentation pompe lave-glace	230 V~ 50/60 Hz selectable
Tension d'alimentation objectif	3 V ⁻⁻⁻ ÷ 12 V ⁻⁻⁻ (max 100 mA)
Fusibles	F2: 2.5 A F 250 V F5: 1 A F 250 V
Température d'utilisation	De -20°C jusqu'à +50°C
Dimensions	337 x 237 x 128 mm
Poids (net)	3,6 kg

Description du récepteur DTRX324

Pour ce qui concerne les caractéristiques et les exemples d'installation, se référer aux chapitres relatifs au récepteur DTRX3.

À fin de donner la correcte alimentation au récepteur DTRX324 se référer au schéma suivant:



NB: Pour tout ce qui concerne les autres procédures se référer au récepteur DTRX3 (connexion tourelle, objectifs, présélection, configurations du protocole et du baud rate, etc.).

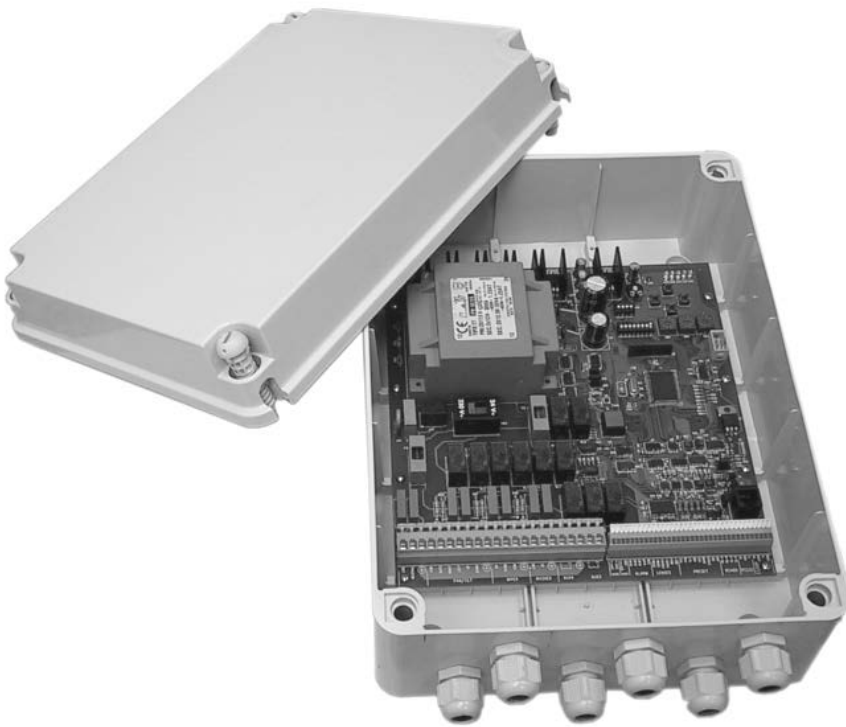
Appareils compatibles pour l'emploi avec le récepteur DTRX324

- Pupitres: **DCS3, DCS2, DCMT8, DCJ, DCT, DCTEL, DCIR**
- Tourelles: **PTH311/PTH311P, PTH911/PTH911P, NXPTH211**
- Contrôleur de communications: **DCMX**
- Distributeur de données sérielles: **DCRE485**

Se rapporter aux manuels d'emploi correspondants pour une description complète des caractéristiques des appareils.

Caractéristiques techniques

Tension d'alimentation	24V~ 50/60 Hz
Consommation	40 W
Puissance maximum commutable	100 W
Tension d'alimentation tourelle	24V~ 50/60 Hz
Tension d'alimentation essuie-glace	24V~ 50/60Hz
Tension d'alimentation pompe lave-glace	24V~ 50/60 Hz
Tension d'alimentation objectif	3 V ⁻⁻⁻ ÷ 12 V ⁻⁻⁻ (max 100 mA)
Fusibles	F5: 6.3 A F 250 V
Température d'utilisation	0 De -20°C jusqu'à +50°C
Dimensions	337 x 237 x 128 mm
Poids (net)	3,6 kg
Certification EAC	



BEDIENUNGSANWEISUNG

DTRX3 - DTRX324

INHALT

INHALT	1
EINFÜHRUNG	3
Verpackungsinhalt	3
Inhalt des vorliegenden Bedienungshandbuchs	3
Typographische Symbole	3
UNFALLVERHÜTUNGSVORSCHRIFTEN	3
BETRIEBSEIGENSCHAFTEN AUF DEN DATENSCHILDERN	4
BESCHREIBUNG DES EMPFÄNGERS DTRX3	4
Eigenschaften	4
DTRX3-kompatible Geräte	5
Aufstellungsbeispiele	5
Kabel	6
AUFSTELLUNG	7
Auspacken des Gerätes	7
Kontrolle der Betriebseigenschaften auf den Datenschildern	7
Dip-switch und Jumpers	7
KONFIGURATION DES EMPFÄNGERS	8
Einstellung der Identifikationsnummer des Empfängers	8
Übertragungsmodus des DTRX3	8
Einschaltung der Last in der Linie RS485	8
Steuerung der Art von Linsen	9
Setzen das Protokoll und der Übertragungsgeschwindigkeit	9
Setzen der Steuerspannung des Schwenk-Neige-Kopfes und des Wischers	10
Setzen der Zusatzgeräte AUX3 / AUX4	10
Verbindung mit der Steuerungseinheit	10
Anschluss an die Linie RS485	11
<i>Kaskadenschaltung mehrerer Empfänger (Punkt-zu- Punkt-Verbindung)</i>	11
<i>Mehrere Empfänger pro Linie, Verbindung mit Doppelschnur (Mehrpunkt-Verbindung)</i>	12
<i>Gemischte Konfigurationen (Punkt-zu- Punkt / Mehrpunkt)</i>	13
Verbindung mit der Current- Loop- Linie	13
Anschluss an die Linie RS232	14
Einstellung der Optiksteuerspannung	15
Anschluss der Kabel des Schwenk-Neige-Kopfs und der Optiken	15
EINSTELLUNG DES EMPFÄNGERS FÜR DIE PRESET- FUNKTIONEN	15
TESTEN DES EMPFÄNGERS DTRX3	16
ANWENDUNG DER ALARMKONTAKTE	17
Funktionierungsmodus des AUX4	17
HILFSBEFEHLE AUX1 UND AUX2	17
LOKALE SCHWENK-NEIGE-KOPF- BEWEGUNGSTASTEN	17
ERKANNTEN STEUERBEFEHLEN PELCO D VOM EMPFÄNGER DTRX3	18
EINSCHALTEN UND AUSSCHALTEN	19
WARTUNG	19

FEHLERSUCHE	19
KONFIGURATIONSTABELLE DER DIP SWITCHES SW4 UND SW6.....	20
TECHNISCHE EIGENSCHAFTE.....	20
BESCHREIBUNG DES EMPFÄNGERS DTRX324	21
Mit dem DTRX324- Empfänger kompatible Geräte.....	21
TECHNISCHE EIGENSCHAFTE.....	22

Der Hersteller übernimmt keine Verantwortung für eventuelle Schäden, die auf einen unsachgemäßen Gebrauch der in diesem Handbuch erwähnten Einrichtungen zurückzuführen sind, und behält sich das Recht vor, den Inhalt dieses Handbuchs ohne Vorankündigung zu verändern. Große Sorgfalt wurde auf die Sammlung und Prüfung der in diesem Handbuch enthaltenen Unterlagen verwendet. Jedoch übernimmt der Hersteller keine Verantwortung, die auf den Gebrauch derselben Unterlagen zurückzuführen ist. Dasselbe gilt auch für jede Person oder Gesellschaft, die an der Schaffung oder Herstellung dieses Handbuchs teilgenommen hat.

Verpackungsinhalt

- 1 Empfänger DTRX3
- 1 Bedienungshandbuch
- 2 Kappen PG11

• 4 Wandlager mit dazugehörigen Schrauben

Am Warenerhalt stellen Sie sicher, daß die Verpackung keinen Schaden oder kein sichtbares Zeichen von Fall oder Riß aufweist. Bei sichtbaren Schäden setzen Sie sich sofort in Verbindung mit dem Lieferant.

Danach sollten Sie sich vergewissern, daß sich alle hier aufgeführten Teilen im Verpackungskarton befinden.

Inhalt des vorliegenden Bedienungshandbuchs

Dieses Bedienungshandbuch enthält die Beschreibung des Empfängers DTRX3 mit den dazugehörigen Aufstellungs-, Konfigurations- und Anwendungsprozeduren. **Bevor Sie mit der Installation und der Anwendung des Empfängers beginnen, lesen Sie bitte aufmerksam das vorliegende Bedienungshandbuch** und, im besonderem, den Abschnitt über die Unfallverhütungsvorschriften.

Typographische Symbole

Die vorliegende Sektion beschreibt die Bedeutung der verschiedenen graphischen Symbole, die in diesem Bedienungshandbuch benutzt werden:



Elektrische Schläge; wenn nicht anders angegeben, schalten Sie die Einheit aus, bevor Sie mit den beschriebenen Prozeduren beginnen.



Die Operation ist sehr wichtig für den korrekten Betrieb des Systems: Lesen Sie bitte aufmerksam die beschriebenen Prozeduren und führen Sie die Operationen gemäß den vorgesehenen Betriebsvorschriften aus.



Beschreibung der Systemeigenschaften: Lesen Sie bitte die mit diesem Symbol versehenen Sektionen, um die folgenden Phasen zu verstehen.

Unfallverhütungsvorschriften



Der Empfänger DTRX3 entspricht den Rechtsvorschriften in Kraft zur Zeit der Veröffentlichung des vorliegenden Bedienungshandbuchs in bezug auf die elektrische Sicherung, die elektromagnetische Kompatibilität und die anderen allgemeinen Forderungen. Beachten Sie die folgenden Vorsorgemaßnahmen, um die Sicherheit der Benutzer (Installateur und Operator) zu gewährleisten:

- Schließen Sie die Einheit an eine der Betriebseigenschaften auf den Datenschildern entsprechende Stromquelle an (s. folgendes Kapitel *Betriebseigenschaften auf den Datenschildern*)
- Gemäß dem in Kraft befindlichen Gesetz muß die Steckdose geerdet sein.
- Bevor Sie die Einrichtung verstellen oder technische Eingriffe vornehmen, stellen Sie sicher, daß das System ausgeschaltet ist.
- Keine beschädigten oder verschlissenen Netzkabel benutzen, weil sie die Sicherheit der Benutzer gefährden.
- Die Installation des Geräts (und der ganzen Anlage) muß nur von qualifiziertem Personal ausgeführt werden.
- Das Gerät muß nur von qualifiziertem technischem Personal geöffnet werden. Von der Garantie sind Schäden ausgenommen, die auf unsachgemäßen Gebrauch des Geräts zurückzuführen sind.
- Vermeiden Sie die Arbeitszone, die leicht entzündbare Stoffe enthalten.
- Kinder und ungelernete Arbeiter dürfen das Gerät nicht benutzen.
- Vergewissern Sie sich, daß das Gerät sorgfältig und stabil befestigt ist.
- Das Gerät wird deaktiviert gehalten, wenn die Stromversorgung ausgeschaltet ist und die Verbindungskabel, die das Gerät mit anderen Einheiten verbinden, entfernt worden sind.
- Der Spannungs-Versorgung (DTRX3) muß eine Schutzeinrichtung der Hausinstallation vorgeschaltet sein
- Für den Kundendienst wenden Sie sich bitte an das autorisierte technische Personal.
- Bewahren Sie das vorliegende Bedienungshandbuch sorgfältig für zukünftiges Nachschlagen auf.

Betriebseigenschaften auf den Datenschildern



Der Empfänger DTRX3 ist mit zwei Schildern gemäß der EG-Markierung versehen.

Das erste Schild enthält:

- Identifikationscode des Modells (erweiterter 3/9 Barcode)
- Stromversorgung (Volt)
- Frequenz (Hertz)
- Verbrauch (Watt)

Das zweite Schild gibt die Seriennummer des Modells an (erweiterter 3/9 Barcode). Bevor Sie mit dem Anschließen des Systems beginnen, sollten Sie sich vergewissern, daß die Stromversorgungseigenschaften den Forderungen entsprechen. Die Anwendung unzureichender Geräte kann die Sicherheit des Personals und der Anlage gefährden.

Beschreibung des Empfängers DTRX3



Der Empfänger DTRX3 ist ein Befehlsempfänger auf Mikroprozessorbasis für die Fernsteuerung von Schwenk-Neige-Köpfe, motorisierten Linsen, Wischer, Scheibenwascherpumpe und Hilfsfunktionen.

Eigenschaften

- 17 Funktionen: UP, DOWN, LEFT, RIGHT, AUTO, WASCHER, WISCHER, ZOOM TELE, ZOOM WIDE, FOCUS NEAR, FOCUS FAR, IRIS OPEN, IRIS CLOSE, AUX1, AUX2, AUX3, AUX4
- Stromversorgung für die Kamera 12 V $\overline{=}$ max 350mA (AUX1) und 24 V \sim max.180mA (AUX2)
- 2 potentialfreie Kontakte mit einem Bereich von 1 A 230 V \sim oder 1A 24 V \sim (AUX3 e AUX4)
- 999 durch Dip Schalter oder drehende Schalter wählbare Adressen
- Serieller Eingang, der zwischen RS-232 / Current Loop / RS485 ausgewählt werden kann
- Wählbare Übertragungsgeschwindigkeit (38400 / 19200 / 9600 / 4800 / 2400 / 1200 / 300 Baud)
- RS232, RS485 und Current Loop-Verstärker für Kaskadenkonfiguration
- Möglichkeit, sowohl Umpolungslinsen als auch Linsen mit gemeinsamem Draht zu benutzen
- Stromkontrollanzeige
- Led für die Anzeige des aktiven Betriebs
- EEPROM für die Speicherung der aktiven Optionen
- 16 Bit-Mikrokontroller mit wieder programmierbarer Flash-Speicherung
- Trimmer für die Einstellung der Spannung der Linse (von 3 V $\overline{=}$ bis zu 12 V $\overline{=}$)
- PRESET / SCAN / PATROL-Funktionen mit automatische Erkennung der anwesenden Funktionen
- Möglichkeit bis 14 Preset-Stellungen (Schwenk-Neige-Kopf, Linse) mit standard Videotec Protokoll und 40 Stellungen mit MACRO Protokoll und Pelco D Protokoll (Tastaturen DCJ, DCT, DCIR) zu speichern.
- 4 Alarm-Kontakte, die als N.O. oder N.C. programmierbar sind

DTRX3-kompatible Geräte



ACHTUNG! Bei der Benutzung des DTRX324- Empfängers, beziehen Sie sich auf den Abschnitt 17.1 Mit dem DTRX324- Empfänger kompatible Geräte.

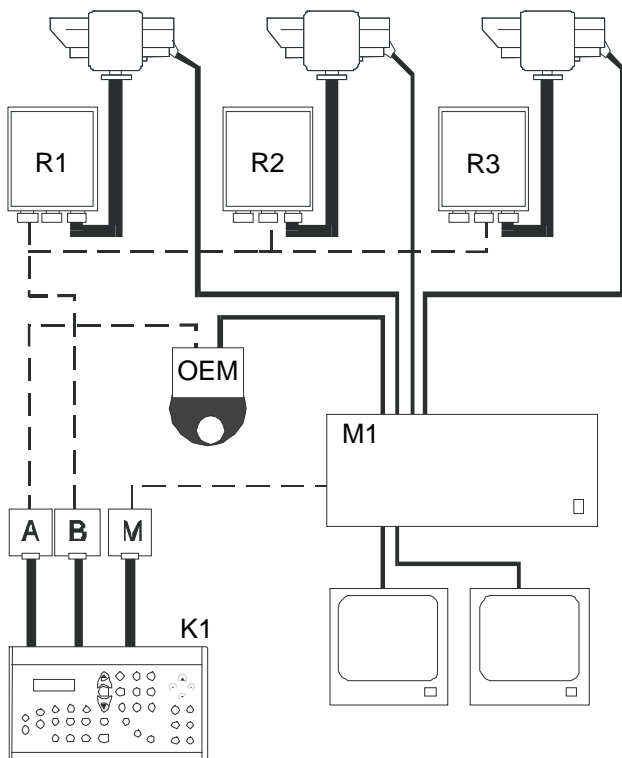
- Bedienungstastaturen: **DCT, DCJ, DCTEL, DCIR, DCS3, DCS2, DCMT8**
- Schwenkköpfe: **PTH310/PTH310P, PTH311/PTH311P, PTH910/PTH910P, PTH911/PTH911P, NXPTH210, NXPTH211C**
- Datenübertragungssteuergerät: **DCMX**
- Verteiler von Seriendaten: **DCRE485**

Beziehen Sie sich auf jedes Bedienungshandbuch für eine detaillierte Beschreibung der Eigenschaften der einzelnen Geräte.

Aufstellungsbeispiele



Ein einzelner Operator mit mehreren Monitoren für die Steuerung eines Satzes Schwenk-Neige-Köpfe in gemischter Konfiguration



GERÄTE:

Steuerungssektion:

- 1 Bedienungstastatur DCS3

Video-Sektion:

- 2 Monitore
- 3 Kameras (+ 1 im OEM Empfänger)
- 1 Video-Matrix SW328

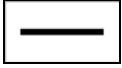
Fernmessungssektion:

- 3 Empfänger DTRX3
- 3 PTH910P Schwenk-Neige-Köpfe (PTH911 mit DTRX324- Empfänger)
- 1 OEM Empfänger (mit einverleibtem Kamera)

Kabel

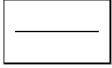


In den Exemplifizierungen wurden verschiedene Stricharten angewandt, um die mehreren Funktionen der Kabel zu bezeichnen.



Telephonisches Kabel:

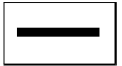
1,5 m, ausgerüstet mit der Tastatur.



Video-Kabel:

Koaxialkabel RG 59 oder gleichartiges Kabel.

Für lange Abstände ist es eines Doppelschnur- Übertragungssystem beraten.



Mehradriges Kabel:

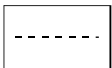
Jede Steuerfunktion des Schwenk-Neige-Kopfes wird von einem im Empfänger eingebauten Relais aktiviert/deaktiviert.

Die endgültige Kabelnummer folgendermaßen festlegen:

- 7 Drähte für die Bewegung des Schwenk-Neige-Kopfes (230 V~ oder 24 V~): rechts, links, oben, unten, autopan, gemeinsam, Erde (nur für 230 V~)
- 6 Drähte für die Steuerung der Umpolungslinsen (Zoom, Focus, Iris)
- 4 Drähte für die Linsen mit gemeinsamem Draht (Zoom, Focus, Iris)
- 7 Drähte für die Kontrolle der PRESET Funktionen -: 5 Drähte sind mit den Bezugspotentiometern verbunden, + 5 V₌₌ und Erde
- 4 Drähte für den Wischer
- 3 Drähte für den Wascher
- 2 Drähte für jedes benutzte Zusatzgerät
- 3 Drähte für Spannungsversorgung

Anmerkung: Es wäre empfehlenswert, verschiedene mehradrige Kabel für die Hochspannungs- und Niederspannungs-funktionen zu benutzen.

Empfohlener Minimalquerschnitt:	0,56 mm ² (AWG 20) für Hochspannungsdrähte (Schwenk-Neige-Kopf, Wischer, Wascher)
	0,34 mm ² (AWG 22) für Niederspannungsdrähte (Linse, Zusatzgeräte, Preset-Funktion)
	0,75 mm ² (AWG 18) Spannungsversorgung von DTRX3



Kabel für das digitale Empfangen/Übertragen von Befehlen:

- 2 Drähte für den Empfang von der Steuereinheit (Doppelschnur, Querschnitt: 0,22 mm² AWG 24)
- 2 Drähte für die eventuelle Übertragung auf den folgenden Empfänger bei Kaskadenkonfigurationen (Doppelschnur, Querschnitt: 0,22 mm² AWG 24)

Anmerkung: Maximalverbindungsdistanz: 15 m bei RS232; 1500 m bei Current Loop; 1200m bei RS485.



ACHTUNG! Sind mehrere Empfänger kaskadiert, benutzen Sie zwei getrennten Kabel für das digitale Empfangen und Übertragen der Befehlen (keine mehrpaaren Kabel benutzen) zwischen den Empfänger.

Konfiguration des Empfängers



Ziel der Konfigurationsphase ist die Optimierung des Betriebs des Empfängers gemäß den Anforderungen der Anlage. Die Konfiguration muß nur vom Installateur während der Installationsphase ausgeführt werden. Es wäre empfehlenswert, mit der Konfiguration der Parameter ordnungsgemäß zu beginnen, um Installationsprobleme zu vermeiden.

Die bei der Konfigurationsphase gesetzten Parameter sind die folgenden:

- Setzen der Identifikationsnummer des Empfängers
- Übertragungsmodus
- Steuerung der Art von Linsen
- Setzen des Protokoll und der Übertragungsgeschwindigkeit
- Setzen der Steuerspannung des Schwenk-Neige-Kopfes und des Wischers (Wiper)
- Setzen der Zusatzgeräte AUX 3 / AUX4
- Verbindung mit der Steuerungseinheit
- Einstellung der Steuerspannung der Linse
- Anschluß der Kabel des Schwenk-Neige-Kopfes und der Linsen
- Konfiguration der Alarme
- Test der aktiven Funktionen des Empfänger (Für Preset-Handlungen)

Einstellung der Identifikationsnummer des Empfängers

Die drehende Switches SW1, SW2 und SW3 je nach Adresse, die man dem Empfänger zuweisen möchte, wie folgt konfigurieren:

SW1 : Hunderter
SW2 : Zehner
SW3 : Einer

Beispiele:

Empfängeradresse Nr.359
SW1 auf 3, SW2 auf 5 und SW3 auf 9 einstellen.

Empfängeradresse Nr.27
SW1 auf 0, SW2 auf 2 und SW3 auf 7 einstellen.

Empfängeradresse Nr.4
SW1 auf 0, SW2 auf 0 und SW3 auf 4 einstellen.

Übertragungsmodus des DTRX3

Je nach gewählter Kommunikationsart, folgende Einstellungen durchführen:

Current Loop:	JP2 und JP3 in der Position CL
RS485	Siehe unten (<i>Einschaltung der Last in der Linie RS485</i>)
RS232	Es ist keine Einstellung erforderlich

Einschaltung der Last in der Linie RS485

Hier einwirken: Jumper JP5 und JP6

JP5 in Position A:	Last im Empfangsmodus RS485 eingeschaltet
JP5 in Position B:	Last im Empfangsmodus RS485 nicht eingeschaltet
JP6 in Position A:	Last im Sendemodus RS485 eingeschaltet
JP6 in Position B:	Last im Sendemodus RS485 nicht eingeschaltet

Steuerung der Art von Linsen



ACHTUNG!: Ein unrichtiges Setup dieser Parameter kann die Linsen beschädigen.

Die Einheit DTRX3 kann die beiden Umpolungslinsen und die Linsen mit gemeinsamen Draht kontrollieren. Bei Linsen mit gemeinsamem Draht, den gemeinsamen Draht zu FOCUS- anschließen.

Setzen des Protokoll und der Übertragungsgeschwindigkeit



ACHTUNG! Ein unrichtiges Setup des Protokolls und/oder der Übertragungsgeschwindigkeit kann den Empfänger beschädigen

Geeignet auch für die Nutzung der Übertragungsdigitalsysteme, die Übertragungsgeschwindigkeit der Einheit hat von 300 bis 38400 Baud.

Schalters: Schalter 1,2 und 8 von SW4 und Schalter 1 von SW6

Setzen:

Protokoll - Baud rate	SW6	SW4		
	Dip 1	Dip 1	Dip 2	Dip 8
Videotec - 300 baud	OFF	ON	OFF	ON
Videotec - 1200 baud	OFF	OFF	ON	ON
Videotec - 9600 baud*	OFF	OFF	OFF	ON
Videotec - 19200 baud	OFF	ON	ON	ON
MACRO - 1200 baud	OFF	OFF	ON	OFF
MACRO - 9600 baud	OFF	OFF	OFF	OFF
MACRO - 19200 baud	OFF	ON	ON	OFF
MACRO - 38400 baud	OFF	ON	OFF	OFF
Pelco D - 2400 baud	ON	OFF	OFF	**
Pelco D - 4800 baud	ON	ON	OFF	**
Pelco D - 9600 baud	ON	OFF	ON	**
Pelco D - 19200 baud	ON	ON	ON	**

ANMERKUNGEN:

* Default - Einstellungen

** Die Einstellung des Schalters ON oder OFF spielt keine Rolle

Setzen der Steuerspannung des Schwenk-Neige-Kopfes und des Wischers



ACHTUNG!: Ein unrichtiges Setup dieses Parameters kann den Schwenk-Neige-Kopf und den Wischer beschädigen.



Der Empfänger DTRX324 benötigt nicht diese Einstellung, da er nur in 24 V~ speist.

Die Betriebsspannung des Schwenk-Neige-Kopfes und des Wischers durch die Schilder überprüfen

Schalter: SW5

Setzen:

Versorgung des Schwenk-Neige-Kopfes und der Wischer von 24 V~:

setzen Sie SW5 auf Position 24V~

Versorgung des Schwenk-Neige-Kopfes und der Wischer von 230 V~:

setzen Sie SW5 auf Position 230v~

Setzen der Zusatzgeräte AUX3 / AUX4

Durch Setup des Dip 6 des Schalters SW4 kann der Betrieb der Zusatzgeräte AUX3/AUX4 gesetzt werden.

- Dip 6 des SW4 auf OFF (default): Der Operator muß die Steuerungstaste drücken, um das Zusatzgerät einzuschalten und sie nochmals drücken, um es auszuschalten
- Dip 6 des SW4 auf ON: Solange der Operator die dazugehörige Steuerungstaste gedrückt hält, bleibt das Zusatzgerät eingeschaltet

NB: AUX4 ist auch an einem Alarmkontakt aktivierbar. Für eine eingehende Beschreibung dieser Funktion siehe Abschnitt der Alarmkontakte.

Verbindung mit der Steuerungseinheit

Die im Schaltkreis eingebaute Buchse J1 (sehen Bild an Seite 7) ermöglicht den Empfang und die Übertragung von Digitaldaten bei RS232 oder RS485 und, deshalb, eine schnelle Verbindung unter den verschiedenen Geräten bei Testen oder für die Verbindung mit auf dem Markt befindlichen Schnittstellen (RS232-Lichtwellenleiter).

Für den Endanschluss empfiehlt man – bei Einsatz der Steuertastaturen DCS3- die Verwendung der Modalität RS485 mit den entsprechenden Anschlussklemmen (gestattet das Erreichen einer maximalen Entfernung von 1200 m) bzw. alternativ hierzu - bei Einsatz der Steuertastaturen DCS2- die Modalität Current Loop (die maximal erreichbare Entfernung beträgt 1500 m).

Anschluss an die Linie RS485

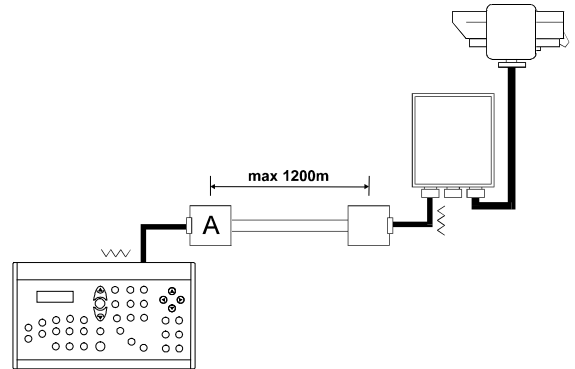
Die Tastatur DCS3, DCJ, DCT und DCTEL und der Empfänger DTRX3 können direkt angeschlossen werden, indem man das herstellerseitig gelieferte Telefonkabel verwendet; hierfür den im Kreislauf vorhandenen Verbinder RJ11 (sehen Sie Bild an Seite 7) gemäss der nachstehend dargestellten Bezugstabelle benutzen.



Anschluss Tastatur - Empfänger DTRX3

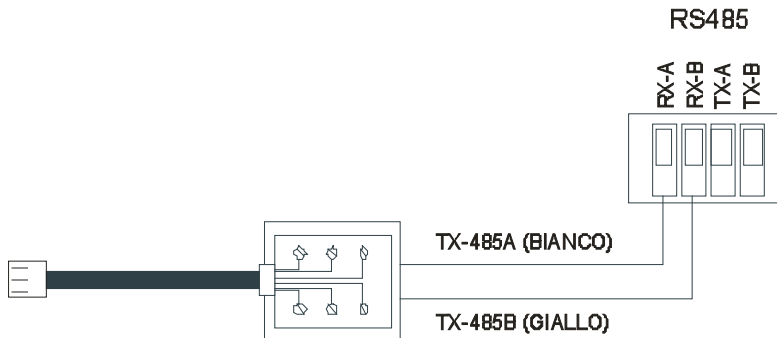
Kommunikationsmodalität RS485: Entfernung max 1200 Meter

Tastatur (RJ11 A o B)		DTRX3
TX-485A Weiß	-----	Blau RX-485A
TX-485B Gelb	-----	Schwarz RX-485B

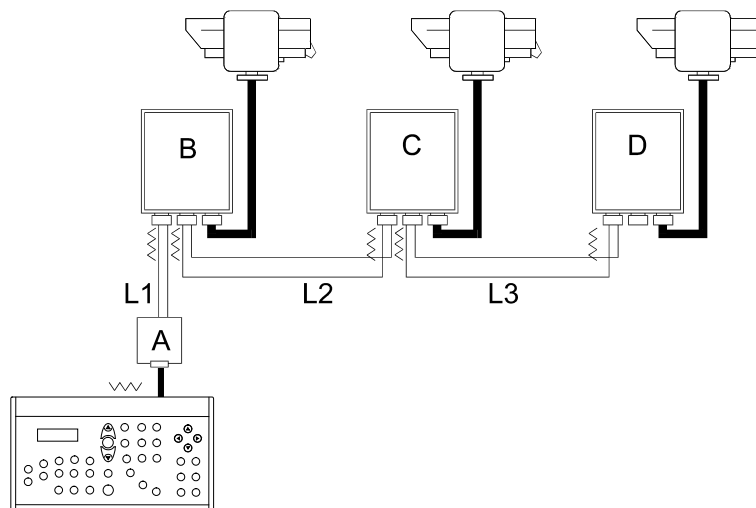


Zur Beachtung: Der Empfänger DTRX3 weist eine im Empfangsmodus eingeschaltete Last auf und ist an die Linie A bzw. B der Tastatur mit eingeschalteter Last angeschlossen.

An der Empfängerseite kann man sich auch einfach an die Klemmen RX-485A e RX-485B gemäss dem nachstehend dargestellten Schema anschliessen.



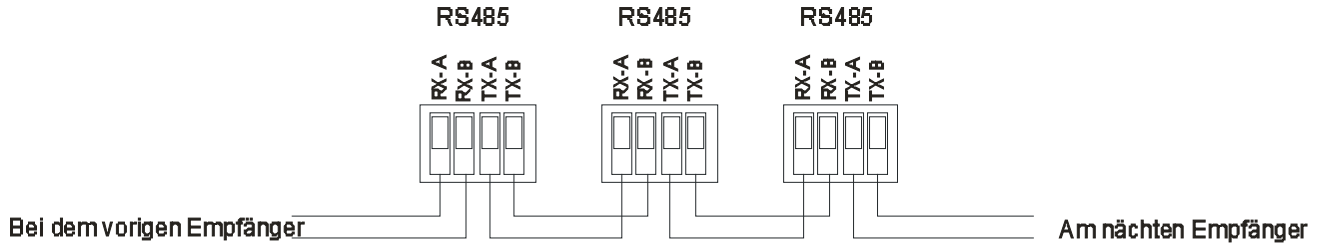
Kaskadenschaltung mehrerer Empfänger (Punkt-zu-Punkt-Verbindung)



Die Empfänger DTRX3 können das empfangene Signal intern regenerieren und über eine neue Kommunikationslinie zum nächsten Empfänger senden. Die drei Linienabschnitte (L1, L2, L3) sind unabhängig voneinander und verbinden nur zwei Vorrichtungen mit eingeschalteter Last mit dem Punkt-zu-Punkt-System (insgesamt maximal 1200 Meter). Die Entfernung zwischen Tastatur und Empfänger D kann somit bis zu 3600 m betragen (1200 m zwischen Tastatur und Empfänger B, 1200 m zwischen Empfänger B und Empfänger C und 1200 m zwischen Empfänger C und Empfänger D, d.h. insgesamt 3600 m).

	Tastatur	Telef.kabel	RJ-Jack	DTRX3
RS485A	Verbinder	—————	Weiß	RX-485A
RS485B	RJ11 'A' oder 'B'		Gelb	RX-485B

Zur Beachtung: Die Klemmen RX-485A und RX-485B mit eingeschalteter Last müssen jeweils an die Klemmen TX-485A und TX-485B (ebenfalls mit eingeschalteter Last) der vorangehenden Einheit angeschlossen werden.



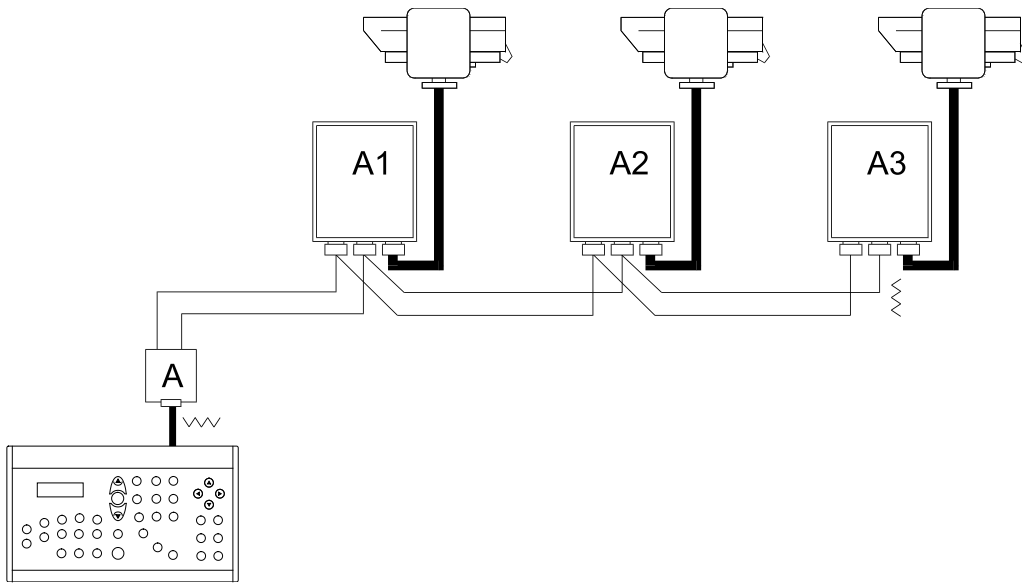
NB: Bei dem o.g. Verbindungstyp (Punkt-zu-Punkt) löst die Betriebsstörung eines der Empfänger die Unterbrechung der Kaskadenvorrichtungen aus.

Mehrere Empfänger pro Linie, Verbindung mit Doppelschnur (Mehrpunkt-Verbindung)

Alle an die gleiche Linie angeschlossenen Empfänger müssen das gleiche Kommunikationsprotokoll RS485 verwenden.

Für alle Linien gilt folgendes:

- nur eine der Tastaturen (Tastatur am Linienende) weist eine eingeschaltete Last auf
- nur einer der Empfänger (am anderen Linienende) weist eine eingeschaltete Last auf
- die Gesamtlänge der Linie darf maximal 1200 m betragen



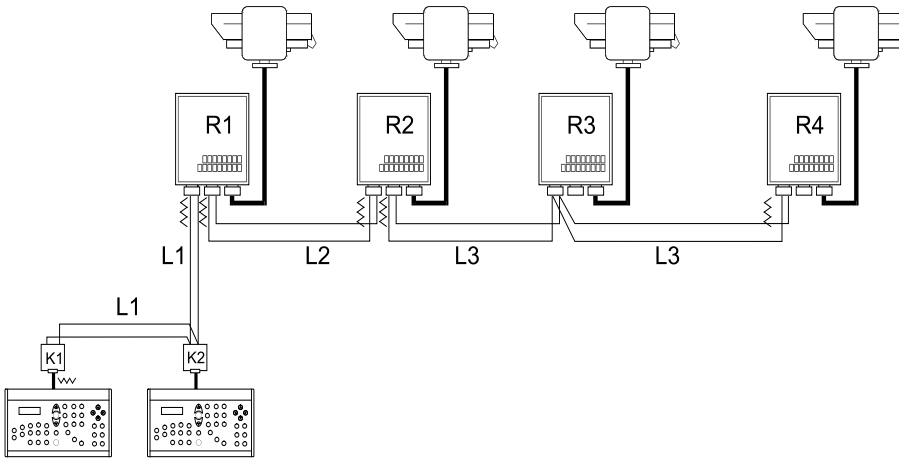
Für die Kommunikation zur Telemetrie ist die Linie A der Tastatur DCS3 verwendet worden. Die Abschlußwiderstände an den Endpunkten Tastatur - Empfänger A3) müssen eingeschaltet sein. Die Abschlußwiderstände der Empfänger A1, A2 dürfen nicht eingeschaltet sein. Die Maximallänge von einem zum anderen Linienende (von der Tastatur zum Empfänger A3), beträgt 1200 Meter.

NB: Bei dieser Verbindungsart (Mehrpunkt) beeinträchtigt die Betriebsstörung einer der Vorrichtungen die anderen Empfänger nicht.

Gemischte Konfigurationen (Punkt-zu-Punkt / Mehrpunkt)

Es handelt sich um eine Kombination der zuvor beschriebenen Verbindungsarten; je nach gewählter Kombination können die Vorteile der zwei Verbindungstypen genutzt werden, wobei eventuelle Betriebsstörungen erheblich reduziert werden können.

Beispiel einer gemischten Verbindung:



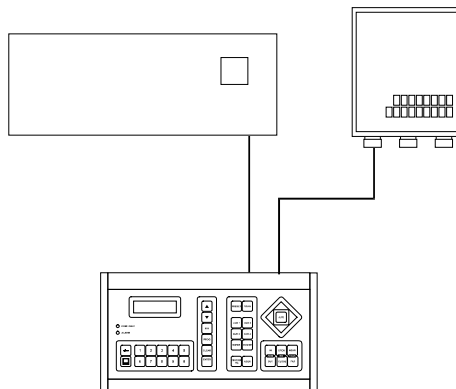
In diesem Beispiel löst eine eventuelle Blockierung des Empfängers R3 (Mehrpunktverbindung auf der Linie L3) keine Betriebsstörung des Empfängers R4 aus. R3 befindet sich nicht an den Enden der Linie L3 und muß daher nicht geladen werden. Sollte sich der Empfänger R2, d.h. der "Erzeuger" der Linie L3 blockieren, werden alle anderen Empfänger, mit denen eine Kaskadenverbindung besteht (R3 und R4), keine Befehle erhalten.

Verbindung mit der Current- Loop- Linie

Die verschiedenen Vorrichtungen (Tastatur DCS2, Videomatrix SM328B und Empfänger DTRX3) können direkt durch das herstellerseitig gelieferte Telefonkabel angeschlossen werden:



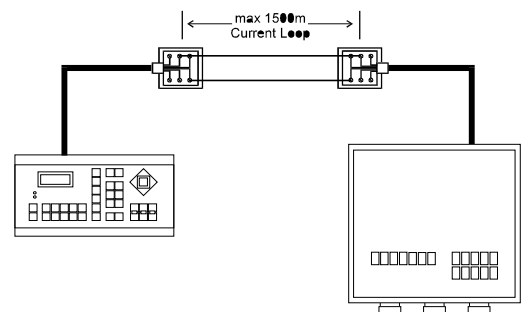
Verbindung DCS2 - Empfänger DTRX3



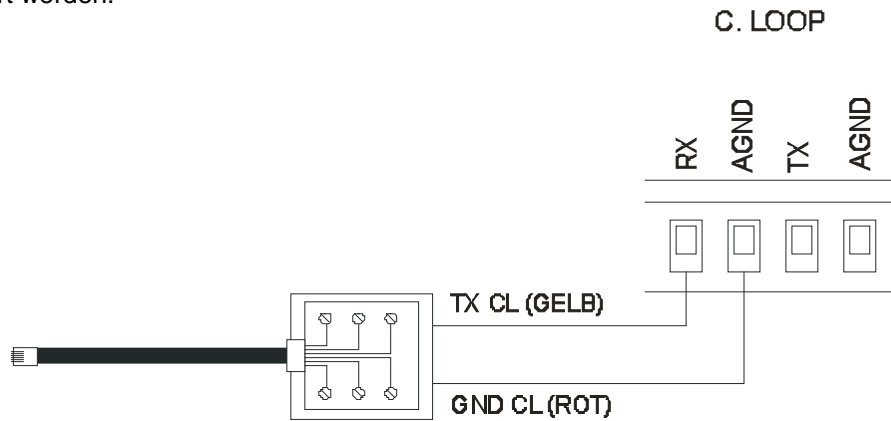
Für die normalen Verbindungen muss man sich auf die Anschlüsse beziehen, die durch die herstellerseitig gelieferten Abzweigdosen RJ durchgeführt werden. Hierbei folgende Bezugstabellen berücksichtigen:

Kommunikationsmodalität Current Loop:
Maximalentfernung 1500 Meter von DTRX3;
Jumper JP2 und JP3 in Position CL.

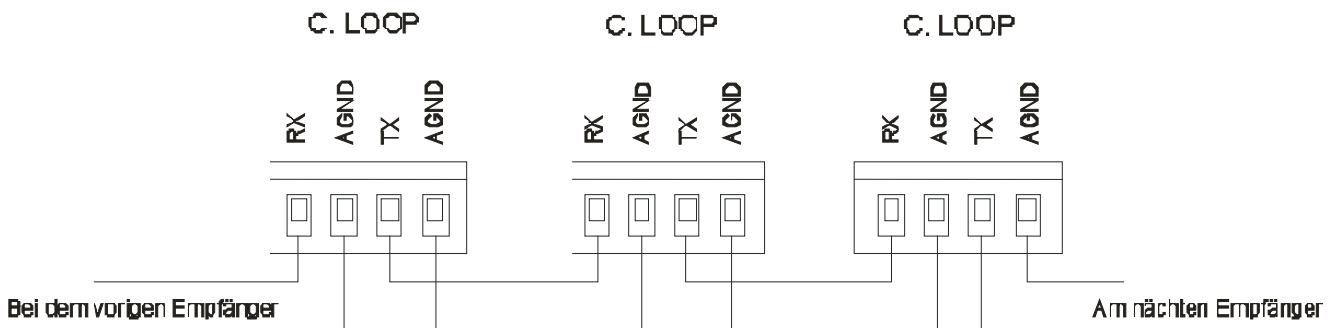
DCS2 / DCMT8		DTRX3
TX CL Gelb	-----	Klemme RX CL
GND CL Rot	-----	Klemme AGND



Zur Beachtung: an der Empfängerseite muss der Anschluss an den Klemmen RXCL und AGND gemäss folgendem Schema durchgeführt werden:



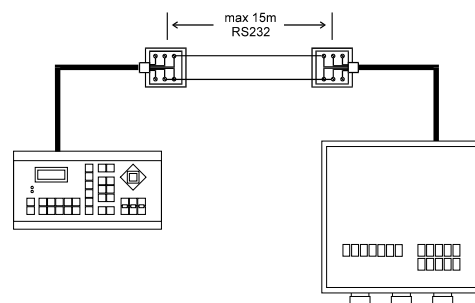
- Sollte zwischen dem Empfänger und einer anderen Einheit DTRX3 eine Kaskadenverbindung bestehen, muss die Current –Loop- Empfangsmodalität mit den Jumpers JP2 und JP3 in Position CL eingestellt sein.
- Die Klemmen RX CL und AGND müssen jeweils an die Klemmen TX CL und AGND der vorangehenden Einheit gemäss folgendem Schema angeschlossen werden:



Anschluss an die Linie RS232

Anschluss RS232: Maximalentfernung 15 Meter.

DCS2/DCMT8		DTRX3
TX RS232 Schwarz	-----	Gelb RX RS232
GND RS232 Grün	-----	Rot GND RS232



Einstellung der Optiksteuerspannung

- das Speisekabel anschliessen und die DTRX3 mit Strom versorgen (LD1 eingeschaltet)
- eine Last zwischen die Klemmen FOCUS NEAR und FOCUS FAR, die mindestens 10 mA aufnimmt (einen Widerstand mit einem Wert zwischen 100 und 1000 ohm verwenden), einschalten
- die Spitzen des Vielfachmessgeräts auf die Klemmen FOCUS NEAR und FOCUS FAR positionieren
- eine der zwei FOCUS- Tasten an der Steuereinheit gedrückt halten
- die Steuerspannung der Optik einstellen, indem man den Trimmer TR1 (default 12V $\overline{=}$) betätigt

NB: um eine falsche Einstellung zu vermeiden, die Spannung auf keinen Fall ohne eingeschaltete Last regulieren.

Anschluss der Kabel des Schwenk-Neige-Kopfs und der Optiken



ACHTUNG!: *Sich vor Durchführung folgender Arbeitsvorgänge versichern, dass die Steuerspannung des Schwenkkopfs und die Einstellung des verwendeten Optikentyps korrekt sind.*

- die Stromversorgung der Einheit unterbrechen
- die Anschlüsse mit der Optik und dem Schwenk-Neige-Kopf durchführen
- die Einheit wieder mit Strom versorgen



Bei Optiken und Schwenkköpfen mit den PRESET- Funktionen (PAN, TILT, ZOOM, FOCUS und IRIS, VCC und GND) darf die Maximallänge der Preset- Kabel höchstens 5 Meter betragen, um eine nicht korrekte Positionierung in den gespeicherten Positionen zu vermeiden.

Einstellung des Empfängers für die PRESET- Funktionen

Der Empfänger DTRX3 weist integrierte Preset- Funktionen auf (die sich auf den Schwenk-Neige-Kopf und die Optiken beziehen). Man kann, mit der Benutzung des Videotec standard Protokolls, bis zu 14 Positionen programmieren oder bis zu 40 Positionen, mit der Benutzung der MACRO und Pelco D Protokolle. Alle Einstellungen sind aufrufbar, über die Tastatur, mit die Funktionen Scan und Patrol.

Der Empfänger kann mit Hilfe eines Tests automatisch erkennen, welche Preset- Funktionen vorhanden sind. Daher ist die Konfiguration der Vorrichtung recht einfach. Dennoch sollte man wie folgt vorgehen:

- Vor Durchführung des Tests des Empfängers (dieser Test setzt fest, welche Preset- Funktionen aktiv sind) muss man sich vergewissern, dass die Kabel des Schwenkkopfs und der Optiken korrekt angeschlossen wurden
- Die Preset- Kabel (PAN, TILT, ZOOM, FOCUS, IRIS, VCC und GND) dürfen maximal 5 Meter lang sein.

Testen des Empfängers DTRX3

Zur Prüfung des korrekten Betriebs der Geräte nach dem Anschluß der Kabel am S-N-Kopf und an der Optiken ist das Verfahren der automatischen Test **erforderlich**: das wird die verfügbaren Funktionen erkennen.



ACHTUNG! Der Schwenk-Neige-Kopf bewegt sich automatisch während des Tests. Man soll sich nicht darauf lehnen oder dessen Hub verhindern.

Nach folgenden Anweisungen vorgehen:

1. Den Empfänger einschalten
2. die Pfeiltaste Up (Taste P4) und die Reset- Taste (**Taste P1**) suchen
3. die Up- Taste gedrückt halten und die Reset- Taste drücken
4. die Reset- Taste loslassen (die Up- Taste gedrückt halten): der Autotest beginnt
5. nach Testbeginn die Up- Taste loslassen

Der Empfänger aktiviert eine Funktion auf einmal, für ungefähr 3 Sekunden.

- Pan: links-rechts(Led P)
- Tilt: unten-hoch (Led T)
- Zoom: wide-tele (Led Z)
- Focus: near-far (Led F)
- Iris: close-open (Led I)

Das Testergebnis wird von den 5 Led P, T, Z, F, I (sie befinden sich am Empfängerteil in der Nähe der Pfeiltasten, siehe Abbildung auf Seite 7) nach Beendigung der Bewegung des Schwenkkopfs und der Optiken angezeigt:

- einschaltet und fest led: die entsprechende Funktion (Pan P, Tilt T, Zoom Z, Focus F, Iris I) ist korrekt
- einschaltet und blitzend led: die entsprechende Funktion funktioniert nicht oder ist sie nicht anwesend und sie kann für Preset/Scan/Patrol-Operationen nicht benützt werden sein

Nach einigen Sekunden des Testende, wird der Empfänger auf Null gestellt und beginnt seinen normalen Betrieb wieder.



ACHTUNG! Das Blinken von mindestens einem Led am Ende des Test (wenn diese Funktion anwesend ist) bedeutet eine Störung, die vor der Einschaltung des Empfängers beseitigt werden soll!

Anwendung der Alarmkontakte

Die vier in der DTRX3-Empfänger eingebauten Alarmkontakte sind mit den ersten vier PRESET-Positionen verbunden; wird der Alarm aktiviert, nehmen der Schwenk-Neige-Kopf und die Linse die dazugehörige PRESET-Position ein; der zuletzt aktivierte Alarm hat für immer Vorrang. Der DTRX3 kann auch einen Alarmbefehl durch die Steuerungstastatur DCS2, DCS3 empfangen, die ihn ihrerseits von der Matrix SM84B/SM164B, SM328Benthält; in diesem Fall nehmen den Schwenk-Neige-Kopf und der Linse die PRESET-Position Nr. 1 ein.

Um die Alarmkontakte anzuwenden, ist es notwendig, SW4 folgendermaßen zu setzen:

- Dip 3 des SW4 auf Position ON: die Alarmkontakte sind aktiviert
- Dip 3 des SW4 auf Position OFF: die Alarmkontakte sind deaktiviert
- Dip 4 des SW4 auf Position ON: die Kontakte sind normalerweise offen
- Dip 4 des SW4 auf Position OFF: die Kontakte sind normalerweise geschlossen

Funktionierungsmodus des AUX4

Schalter: Dip 5 von SW4

Setzen:

- Dip 5 von SW4 auf OFF: normal Funktionierung
- Dip 5 von SW4 auf ON : AUX4 aktiviert sich im Alarmfall und schaltet sich aus, wenn der Alarm aufgehoben wurde.

Hilfsbefehle AUX1 und AUX2

Die Ausgänge AUX 1 (12 V $\overline{=}$, max 350 mA) und AUX2 (24 V \sim , max 180 mA) ermöglichen die Stromversorgung für eine Kamera.

Die Ausgangsspannung wird so versorgt, indem man die entsprechenden Hilfs über den Befehl AUX ON aktiviert werden. Über den Befehl AUX OFF wird einen Hilfs gesperrt (keine Ausgangsspannung).



Der DTRX3 Empfänger verfügt über die Erinnerung an den letzten Status des Hilfs AUX1 und AUX2, auch bei Ausschalten.

Lokale Schwenk-Neige-Kopf- Bewegungstasten

Der Empfänger DTRX3 ist mit 4 lokalen Tasten (auf der Karte) für die Schwenk-Neige-Kopfbewegung in vier Richtungen (Up, Down, Left, Right, siehe Abbildung auf Seite 7) ausgestattet. Diese Tasten sind sehr nützlich für die Installationsphase, da sie die Steuerung des Schwenk-Neige-Kopfes ermöglichen; dadurch kann die Position der Endschalter und/oder die korrekte Installation des Schwenkkopfs kontrolliert werden. Die Pfeiltasten haben absolute Priorität und lösen bei Betätigung die Unterbrechung der Fernbedienung (durch die Tastaturen) des Empfängers vorübergehend aus. Wenn die Pfeiltasten wieder losgelassen werden, wird die volle Funktionstüchtigkeit des Empfängers wiederhergestellt.

Die Up- Taste in Kombination mit der Reset- Taste dient zur Durchführung des Autotests (siehe Abschnitt zum *Test des Empfängers DTRX3*).

Erkannten Steuerbefehlen Pelco D vom Empfänger DTRX3

Neben den Standardbefehlen Pelco D für die Bewegungen des Steuerknüppels und der Optiken kann der Empfänger DTRX3 auch die folgenden erweiterten Steuerbefehle Pelco D erkennen und ausführen:

Pelco D- Befehlen	Erkannten Steuerbefehle von DTRX3	Besondere Anmerkungen
Set Auxiliary	Aux ON	Eingenommene Eingaben von 1 bis 4
Clear Auxiliary	Aux OFF	Eingenommene Eingaben von 1 bis 4
Set Pattern Start	Autopan Toggle	--
Run Pattern	Patrol Toggle	--
Remote Reset	Empfängersreset	--
Go To Preset "1÷40"	Scan	Eingenommene Eingaben von 1 bis 40
Set Preset "1÷40"	Preset- Position	Eingenommene Eingaben von 1 bis 40
Clear Preset "1÷40"	Reset der Einzelposition des Presets	Eingenommene Eingaben von 1 bis 40
Set Preset "41"	Anfang der Erkennung der Patrol-Parameter (siehe Beispiel***)	--
Set Preset "..."	Patrol "Position From"	Eingenommene Eingaben von 1 bis 40
Set Preset "..."	Patrol "Position To"	Eingenommene Eingaben von 1 bis 40
Set Preset "..."	Patrol "Pause"	Eingenommene Eingaben von 1 bis 99
Set Preset "42"	Patrol Start	--
Set Preset "43"	Patrol Stop	--
Set Preset "44"	Washer-Wiper*	--
Set Preset "45"	Washer Start**	--
Set Preset "46"	Wiper Start**	--
Set Preset "47"	Washer Stop	--
Set Preset "49"	Wiper Stop	--
Set Preset "55"	Reset der allen Preset- Positionen	Die zwei Steuerbefehle sollen in Sequenz sein
Set Preset "66"		

NOTE

* Zeitverfahren: in der ersten Periode ist die Washer- Funktion befähigt und dann wird die Wiper- Funktion aktiviert. Sie bleibt in Betrieb auch nach dem Ausschalten des Washers für einen bestimmten Zeitabstand

** Automatisches Ausschalten nach 10 Sekunden

*** **Programmierbeispiel einer Patrolsequenz.**

Es soll eine Patrolsequenz vorgegeben werden, die mit der Presetposition 19 beginnt, mit der Presetposition 33 endet und eine Minute in jeder erreichten Position verweilt.

4 1 PRESET

Befähigung bei Parameterübernahme

1 9 PRESET

Anfangsposition der Patrol 19

3 3 PRESET

Endposition der Patrol 33

6 0 PRESET

Pause von 60 Sekunden Dauer in jeder erreichten Position

4 2 PRESET

Sequenzbeginn

4 3 PRESET

Sequenzende

Einschalten und Ausschalten



Bevor Sie die Einheit einschalten:

- vergewissern Sie sich, daß die gelieferte Ware den Forderungen entspricht: Kontrollieren Sie dazu die Datenschilder gemäß der Beschreibung in Kapitel *Betriebseigenschaften auf den Datenschildern*.
- Stellen Sie sicher, daß die Abschmelzsicherungen des Empfängers DTRX3 keinen Defekt aufweisen.
- Vergewissern Sie sich, daß der Empfänger und die anderen Komponenten der Anlage geschlossen sind, um den direkten Kontakt mit stromführenden Elementen zu vermeiden.
- Stellen Sie sicher, daß alle Elemente sorgfältig und stabil befestigt sind.
- Die Stromkabel müssen die normalen Operationen des Installateurs und die Bewegung des s nicht behindern.
- Vergewissern Sie sich, daß die Stromquelle und die Verbindungskabel in der Lage sind, den Systemverbrauch zu ertragen.

Wartung



Der Empfänger DTRX3 ist wartungsfreundlich.

Die Strom- und Verbindungskabel sollten so gelegt werden, daß sie den Schwenk-Neige-Kopf nicht behindern.

Fehlersuche



Obwohl der Empfänger DTRX3 durch eine hohe Zuverlässigkeit und gute Bedienbarkeit charakterisiert ist, können manchmal Schwierigkeiten beim Installieren und Konfigurieren des System oder während Ihrer Arbeit auftreten.

PROBLEM	VERMUTLICHE URSACHE	ABHILFE
<i>LED-Anzeige LD1 ist ausgeschaltet</i>	<ul style="list-style-type: none"> • Stromausfall 	<ul style="list-style-type: none"> • Netzkabel prüfen
<i>LED-Anzeige LD1 ist eingeschaltet aber werden die Befehle nicht ausgeführt</i>	<ul style="list-style-type: none"> • Falsche Konfiguration des Empfangsmodus • Falsche Verbindung • Falsche Identifikation des DTRX3 • Die Einheit ist gesperrt • Falsche Übertragungsgeschwindigkeit und Protokoll 	<ul style="list-style-type: none"> • Bei RS485- Empfang prüfen, ob man die Last mit Jumper JP5 eingeschaltet hat oder nicht. Bei Current- Loop- Empfang prüfen, dass sich die Jumper JP2 und JP3 in der Position CL befinden • Die Anschlusskabel prüfen • Die Identifikationsnummer der DTRX3 (SW1-SW2-SW3) prüfen • Auf die Reset- Taste P1 drücken bzw. die Stromversorgung unterbrechen • Dip 1, 2 und 8 des SW4- und Dip 1 des SW6-Einstellungen prüfen
<i>Der Schwenk-Neige-Kopf funktioniert nicht</i>	<ul style="list-style-type: none"> • Falsche Stromversorgung des Schwenk-Neige-Kopfs • Durchgebrannte Sicherung 	<ul style="list-style-type: none"> • Vergewissern Sie Sich, daß die Versorgungsspannung des S-N-Kopfs der Versorgungsspannung des Empfängers entspricht. • Sicherung F5 (230 V~) oder F2 (24 V~) ersetzen
<i>Die Linse funktioniert nicht</i>	<ul style="list-style-type: none"> • Falsche Stromspannung der Linse 	<ul style="list-style-type: none"> • Die Einstellung des Trimmers TR1 überprüfen
<i>Die Alarme funktionieren nicht</i>	<ul style="list-style-type: none"> • Falsche Konfiguration der Dip-Alarme 	<ul style="list-style-type: none"> • Die Einstellung der Dip 3 4 und 5 von SW4 prüfen
<i>Bei einer Kaskadenschaltung empfangen die nächsten Einheiten keinen Befehl</i>	<ul style="list-style-type: none"> • Falsche Verbindung • Falsche Konfiguration des Empfangsmodus • Falsche Konfiguration des Dip-Schalters 	<ul style="list-style-type: none"> • Anschlusskabel prüfen • Bei RS485- Empfang prüfen, ob man die Last mit Jumper JP6 eingeschaltet hat oder nicht. Bei Current- Loop- Empfang prüfen, dass sich die Jumper JP2 und JP3 in der Position CL befinden • Die Einstellung der Adresse der nicht funktionierenden Einheiten prüfen.

Konfigurationstabelle der Dip Switches SW4 und SW6

SW6		
Dip	Zustand	Function
1	ON	Pelco D Protokoll
1	OFF	Videotec oder MACRO Protokolle (Einstellung Dip 8 des SW4)
2 3 4	Keine Tätigkeit	Keine

SW4		
Dip	Zustand	Funktion
1 2	OFF OFF	9600 Baud* (Videotec und MACRO), 2400 Pelco D
1 2	ON OFF	300 Baud Videotec, 38400 Baud MACRO, 4800 Baud Pelco D
1 2	OFF ON	1200 Baud (Videotec und MACRO), 9600 Baud Pelco D
1 2	ON ON	19200 Baud (Videotec, MACRO und Pelco D)
3	OFF	Alarmer nicht benutzt*
3	ON	Alarmer benutzt
4	OFF	Alarmer N.C.*
4	ON	Alarmer N.O.
5	OFF	--
5	ON	Alarmer auf Aux4
6	OFF	--
6	ON	Aux3 und Aux4 mit Loslass-System
7	OFF	--
8	ON**	Standard Videotec Protokoll ****
8	OFF***	MACRO Protokoll **** (DCJ, DCT, DCTEL und DCIR)

ANMERKUNGEN:

- * Default- Einstellungen
- ** Vereinbar DCS3, DCS2 und DCMT8 Bedientastaturen (DCJ, DCT, DCTEL und DCIR mit standard Videotec Protokoll)
- *** Vereinbar mit Bedientastaturen DCJ, DCT, DCTEL und DCIR mit Protokoll Macro
- **** Einstellbar nur, wenn Schalter 1 von SW6 auf OFF steht.

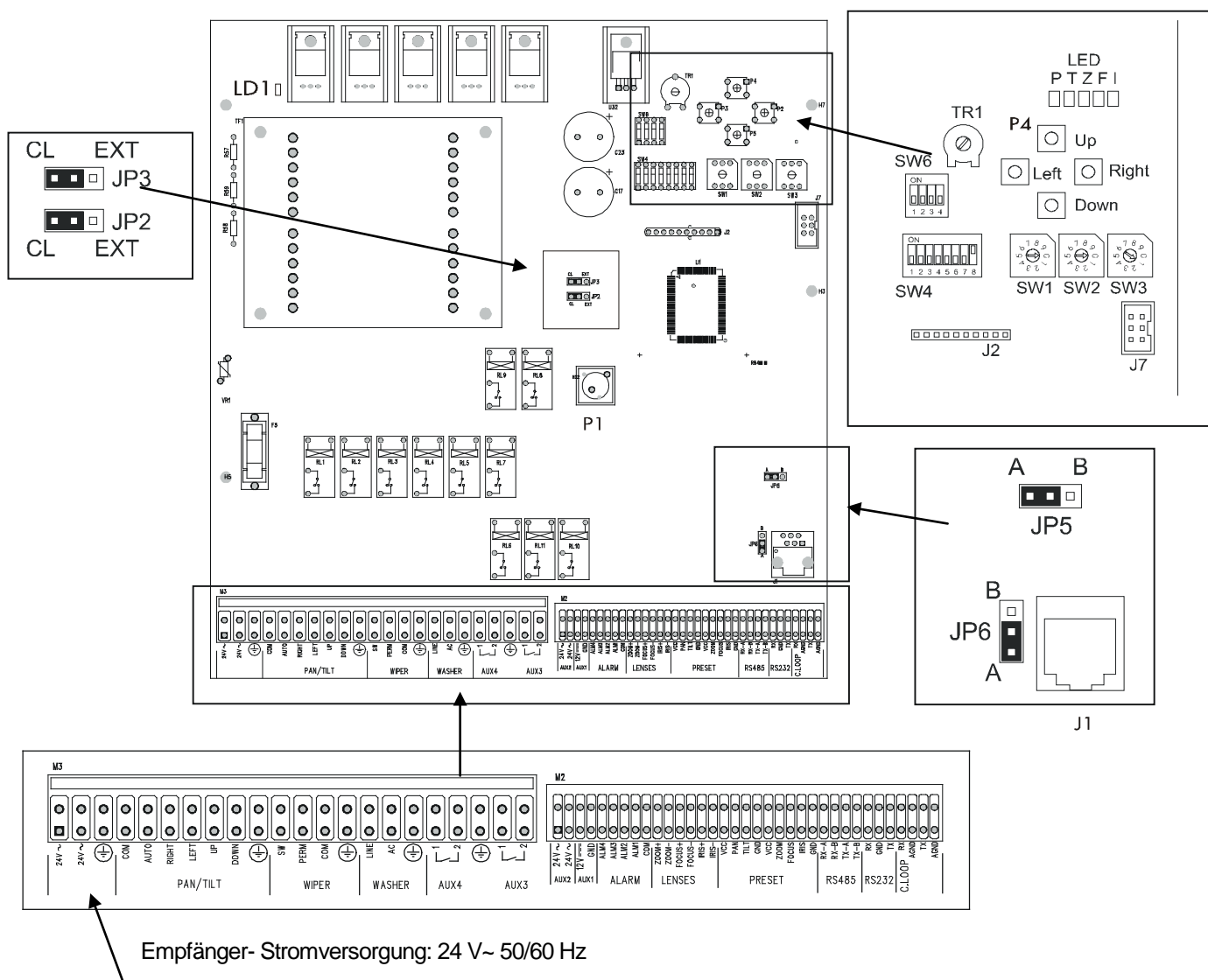
Technische Eigenschaften

Stromversorgung	230 V~ 50 Hz
Verbrauch	60 W
Maxime umschaltbare Leistung	100 W
Stromversorgung für die Schwenk-Neige-Kopf	24/230 V~ 50 Hz (wählbar)
Stromversorgung für den Wischer	24/230 V~ 50 Hz (wählbar)
Stromversorgung für die Scheibenwascherpumpe	230 V~ 50/60 Hz (wählbar)
Stromversorgung für die Linse	3 V $\overline{=}$ ÷ 12 V $\overline{=}$ (max 100 mA)
Sicherungen	F2: 2.5 A F 250 V F5: 1 A F 250 V
Verwendungstemperatur	von -20°C bis zu +50°C
Ausmaße	337 x 237 x 128 mm
Gewicht (netto)	3,6 kg

Beschreibung des Empfängers DTRX324

Beziehen Sie sich auf die Abschnitte des DTRX3- Empfängers für Verzeichnisse und Installation- Beispiele.

Sehen Sie die folgende Zeichnung, um den DTRX324- Empfänger richtig zu speisen:



NB: Für andere Installationen, beziehen Sie sich auf die DTRX3 Empfängersbeschreibung. (Schwenk-Neige-Kopf-, Linsen- und Preset- Anschlüsse, Protokoll- und Baud Rate- Konfiguration, usw).

Mit dem DTRX324- Empfänger kompatible Geräte

- Bedienungstastaturen: **DCS3, DCS2, DCMT8, DCJ, DCT, DCTEL, DCIR**
- Schwenk-Neige-Köpfe: **PTH311/PTH311P, PTH911/PTH911P, NXPTH211**
- Datenübertragungssteuergerät: **DCMX**
- Verteiler von Seriidaten: **DCRE485**

Beziehen Sie sich auf jedes Bedienungshandbuch für eine detaillierte Beschreibung der Eigenschaften der einzelnen Geräte.

Technische Eigenschaften

Stromversorgung	24 V~ 50/60 Hz
Verbrauch	40 W
Maxime umschaltbare Leistung	100 W
Stromversorgung für die Schwenk-Neige-Kopf	24V~ 50/60 Hz
Stromversorgung für den Wischer	24V~ 50/60 Hz
Stromversorgung für die Scheibenwascherpumpe	24V~ 50/60 Hz
Stromversorgung für die Linse	3 V ⁻⁻⁻ ÷ 12 V ⁻⁻⁻ (max 100 mA)
Sicherungen	F5: 6.3 A F 250 V
Verwendungstemperatur	von -20°C bis zu +50°C
Ausmaße	337 x 237 x 128 mm
Gewicht (netto)	3,6 kg
EAC-Zertifizierung	



РУКОВОДСТВО ПО ЭКСПЛУАТАЦИИ

DTRX3 - DTRX324

ОГЛАВЛЕНИЕ

ОГЛАВЛЕНИЕ	1
ВВЕДЕНИЕ	3
Содержание упаковок.....	3
Содержание данного руководства	3
Условные обозначения шрифтами.....	3
ПРАВИЛА ТЕХНИКИ БЕЗОПАСНОСТИ	3
ДАННЫЕ МАРКИРОВКИ	4
ОПИСАНИЕ ПРИЁМНИКА	4
Характеристики.....	4
Совместимые устройства для использования с приёмником	5
Пример установки.....	5
Кабели	6
УСТАНОВКА	7
Распаковывание	7
Контроль маркировки	7
Двухрядный переключатель и переключатель конфигурации	7
КОНФИГУРАЦИЯ ПРИЁМНИКА	8
Установка идентификационного номера приёмника.....	8
Режим связи DTRX3	8
Подключение нагрузки линии RS485	8
Тип контролируемых объективов	9
Настройка протокола и скорости связи.....	9
Настройка напряжения контроля поворотного устройства и стеклоочистителя	10
Настройка вспомогательных контактов AUX3 / AUX4	10
Соединение с блоком управления	10
Соединение с линией RS485	11
<i>Каскадное соединение нескольких приёмников (соединение типа "точка-точка")</i>	11
<i>Несколько приёмников в линии, соединение с витой парой (многоточечное соединение)</i>	12
<i>Смешанные конфигурации (точка-точка / многоточечное)</i>	13
Соединение с линией Current Loop (токовая петля)	13
Соединение с линией RS232	14
Регулировка напряжения контроля объективами	15
Соединение кабелей поворотного устройства и объективов.....	15
НАСТРОЙКА ПРИЁМНИКА ДЛЯ ФУНКЦИЙ PRESET	15
ПРОВЕРКА ПРИЁМНИКА	16
ИСПОЛЬЗОВАНИЕ КОНТАКТОВ АВАРИЙНЫХ СИГНАЛОВ	17
Режим работы AUX4.....	17
ВСПОМОГАТЕЛЬНЫЕ ВЫВОДЫ AUX1 И AUX	17
ЛОКАЛЬНЫЕ КНОПКИ ДВИЖЕНИЯ ПОВОРОТНОГО УСТРОЙСТВА	17
КОМАНДЫ RELCO D, РАСПОЗНАВАЕМЫЕ ПРИЁМНИКОМ	18
ВКЛЮЧЕНИЕ И ВЫКЛЮЧЕНИЕ	19
ТЕХОБСЛУЖИВАНИЕ	19
УСТРАНЕНИЕ НЕИСПРАВНОСТЕЙ	19
ТАБЛИЦЫ КОНФИГУРАЦИИ DIP-ПЕРЕКЛЮЧАТЕЛЕЙ SW6 И SW4	20
ТЕХНИЧЕСКИЕ ХАРАКТЕРИСТИКИ	20
ОПИСАНИЕ ПРИЁМНИКА DTRX324	21
Совместимые устройства для использования с приёмником DTRX324.....	21
ТЕХНИЧЕСКИЕ ХАРАКТЕРИСТИКИ	22

Производитель не несет никакой ответственности за любой ущерб, причиненный в результате неправильного использования оборудования, указанного в настоящем документе; кроме того, он оставляет за собой право вносить изменения без предварительного уведомления. При составлении и проверке документации настоящего руководства были включены все необходимые меры предосторожности: тем не менее, производитель снимает с себя ответственность за результаты ее использования. То же самое относится к любому лицу или компании, участвующим в создании и публикации данного руководства.

Введение

Содержание упаковок

- 1 приёмник DTRX3
- 1 руководство по эксплуатации
- 2 крышки для закрытия PG11
- 4 скобы для крепления к стене с соответствующими винтами

При поставке изделия убедитесь в том, что упаковка не повреждена и не имеет явных признаков падений или царапин.

В случае повреждения упаковки следует немедленно обратиться к поставщику.

Убедиться, что содержимое соответствует указанному выше списку материалов.

Содержание данного руководства

В данном руководстве описывается приёмник DTRX3 и специальные процедуры для его установки, конфигурации и использования. Необходимо **внимательно прочитать настоящее руководство**, в частности, главу, в которой перечислены правила техники безопасности, **перед установкой и использованием приёмника**.

Условные обозначения шрифтами

В данном руководстве используются различные графические символы, значение которых приводится ниже:



Риск поражения электрическим током; отключить питание перед выполнением операций, если не указано иное.



Операция очень важна для надлежащего функционирования системы: необходимо внимательно прочитать предусмотренный порядок действий и точно их выполнить.



Описание характеристик системы: Рекомендуется внимательно прочитать, чтобы понять дальнейшие шаги.

Правила техники безопасности



Приёмник DTRX3 соответствует действующим стандартам на момент публикации настоящего руководства, что касается электрической безопасности, электромагнитной совместимости и общих требований.

Однако, необходимо обеспечить безопасную работу пользователей (техник-установщик и оператор), отметив несколько предостережений:

- Подсоединить к линии питания, соответствующей указанной на маркировочных этикетках (см. следующую главу *Данные маркировки*)
- Сетевая вилка должна быть подключена к заземлению в соответствии с действующими стандартами.
- Перед перемещением или выполнением технического вмешательства на устройстве, отключить электропитание.
- Не использовать силовые кабели со следами износа или старения, так как они представляют серьезный риск для безопасности пользователей
- Монтажная установка устройства (и всей системы, частью которого оно является) должна выполняться квалифицированным персоналом с соответствующей подготовкой
- Устройство может быть открыто только квалифицированным техническим персоналом. Нарушение целостности прибора приводит к отмене гарантии
- Не использовать устройство в присутствии воспламеняющихся веществ
- Не разрешать пользоваться прибором детям или недееспособным лицам
- Проверить, что устройство закреплено прочно и надёжно
- Прибор считается отключенным только когда питание отключено и соединительные кабели с другими устройствами были отключены
- Перед подключением DTRX3, установить в здании защитное устройство электросистемы.
- За технической поддержкой обращаться только с уполномоченному техническому персоналу
- Должным образом хранить данное руководство для дальнейшего использования

Данные маркировки



На приёмнике DTRX3 имеются следующие этикетки.

На первой этикетке приведена следующая информация:

- Идентификационный код модели (штрих-код Extended 3/9)
- Напряжение питания (Вольт)
- Частота (Гц)
- Потребление (Ватт)

На второй этикетке указан серийный номер модели (штрих-код Extended 3/9)

Во время установки убедиться, что технические характеристики системы питания приёмника соответствуют требуемым. использование несоответствующего оборудования может привести к серьезной опасности как для персонала, так и для оборудования.

Описание приёмника



Приёмник DTRX3 - это микропроцессорный приёмник команд для удалённого контроля поворотных моторизованных устройств, стеклоочистителя, насоса для промывки стекла и вспомогательных функций.

Характеристики

- 17 функции: UP, DOWN, LEFT, RIGHT, AUTO, WASHER, WIPER, ZOOM TELE, ZOOM WIDE, FOCUS NEAR, FOCUS FAR, IRIS OPEN, IRIS CLOSE, AUX (ВВЕРХ, ВНИЗ, ВЛЕВО, ВПРАВО, АВТО, СИСТЕМА МОЙКИ, СТЕКЛООЧИСТИТЕЛЬ, ЗУМ ТЕЛЕ, ЗУМ ШИРОК., ФОКУС БЛИЗКО, ФОКУС ДАЛЕКО, ИРИС ОТКРЫТ, ИРИС ЗАКРЫТ, ВСПОМ)
 - Питание телекамеры 12 В⁼⁼ макс 350 мА (AUX1) и 24 В[~] макс 180 мА (AUX2)
 - 2 чистых контакта с расходом 1 А 230 В[~] или 1А 24 В[□] (AUX3 и AUX4)
 - 999 адресов, которые можно выбрать с помощью переключателя Dip или поворотных переключателей.
 - Серийный вход, выбираемый между RS232 / Токовая петля / RS485
 - Доступные для выбора скорость связи: 38400 / 19200 / 9600 / 4800 / 2400 / 1200 / 300 бод
 - Доступные для выбора протоколы связи: Videotec standard / MACRO / Pelco D
 - Ретранслятор RS232, RS485 и Токовая петля для конфигурации последовательного соединения
 - Возможность использования как работающих объективов с инверсией полярности, так и объективов с общим проводом
 - Светодиод наличия питания
 - Светодиод активной функции
 - EEPROM для сохранения активных опций
 - Перепрограммируемый микроконтроллер 16 бит с флеш-памятью
- Триммер регулировки напряжения объектива (3 В⁼⁼ до 12 В⁼⁼)
- Функции PRESET / SCAN / PATROL с автоопознанием имеющихся функций
 - Возможность сохранить в памяти до 14 положений PRESET (поворотное устройство, объектив) с протоколом Videotec standard и 40 положений с протоколом MACRO (кнопочные панели DCJ, DCT, DCIR) и протоколом Pelco D
 - 4 контакта аварийных сигналов, устанавливаемые НО и НЗ.

Совместимые устройства для использования с приёмником



ВНИМАНИЕ!! При использовании приёмника DTRX324, обратиться к параграфу 17.1 Совместимые устройства для использования с приёмником DTRX324.

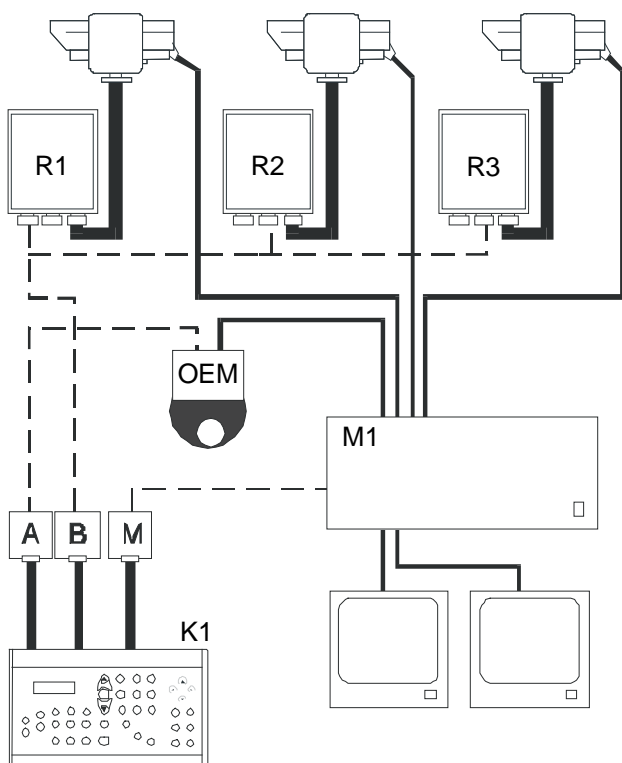
- Кнопочная панель контроля: **DCT, DCJ, DCTEL, DCIR, DCS3, DCS2, DCMT8**
- Поворотные устройства: **PTH310/PTH310P, PTH311/PTH311P, PTH910/PTH910P, PTH911/PTH911P, NXPTH210, NXPTH211C**
- Контроллер связей: **DCMX**
- Распределитель серийных данных: **DCRE485**

См. отдельные руководства по эксплуатации для полного описания характеристик устройств.

Пример установки



Оператор с несколькими мониторами с контролем серии поворотных устройств в смешанной конфигурации:



ИСПОЛЬЗУЕМЫЙ МАТЕРИАЛ:

Кнопочная панель контроля:

- K1: кнопочная панель контроля: DCS3

Управление видео:

- 2 монитора
- 3 телекамеры (+1 в приёмнике OEM)
- M1: видео матрицы SW328

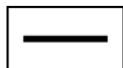
Управление телекамерой:

- R1, R2, R3: приёмники DTRX3
- 3 поворотных устройства PTH910P (PTH911P с приёмником DTRX324)
- 1 приёмник OEM (со встроенной камерой)

Кабели

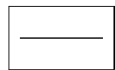


В примере на схемах были использованы различные типы участка для обозначения кабелей различного назначения:



телефонный кабель:

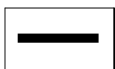
1,5 м, поставляется в комплекте с кнопочной панелью.



видеокабель:

коаксиальный кабель RG 59 или эквивалент.

Для больших расстояний рекомендуется система передачи видео по витой паре.



многожильный кабель:

каждая функция контроля поворотного устройства активируется/отключается с помощью реле внутри приемника.

Установить итоговое количество кабелей, выполнив следующие указания:

- 7 проводов для передвижения поворотных устройств (230 В~ или 24 В~): вправо, влево, вверх, вниз, автопан, общий, земля(только для 230 В~)
- 6 проводов контроля для оптических приборов с инверсией полярности (зум, фокус, диафрагма)
- 4 провода контроля для оптических приборов с общим проводом (зум, фокус, диафрагма)
- 7 проводов управления для уставки: 5 подсоединены к контрольным потенциометрам, +5 В⁻⁻⁻ и массе
- 4 провода для wipeg (стеклоочистителя)
- 3 провода для Washer (системы мойки)
- 2 провода для каждого используемого вспомогательного устройства
- 3 провода для силового кабеля

Примечание: рекомендуется использовать различные многожильные кабели для функций с низким и высоким напряжением.

Минимальное рекомендуемое сечение:

0,56 мм² (AWG 20) для проводов высокого напряжения
(поворотное устройство, wipeg, washer)

0,34 мм² (AWG 22) для проводов низкого напряжения
(объектив, вспомогательные устройства, предварительные
установки)

0,75 мм² (AWG 18) для проводов питания DTRX3



кабель для цифрового приёма/передачи команд:

- 2 провода для приёма от блока управления (двойной витой телефонный кабель, сечение 0,22 мм² AWG 24)
- 2 провода для передачи к следующему приёмнику в каскадной конфигурации (телефонная витая пара, сечение 0,22 мм² AWG 24)

Примечание. Максимальное расстояние соединения примерно 15 м в RS232, 1500 м в токовой петле и 1200 м в RS485.



ВНИМАНИЕ! При соединении нескольких приёмников в каскад необходимо использовать два отдельных кабеля (не использовать многопарные кабели) для цифрового приёма и передачи команд между приёмниками.

Установка



Этап установки должен выполняться только квалифицированным техническим персоналом.



Следующие процедуры должны выполняться при отсутствии подключения электропитания, если не указано иное.

Распаковывание

Если упаковка не представляет явных дефектов (из-за падения или аномальных следов истирания), продолжить проверку содержимого в упаковке материала, на основании списка, указанного в параграфе *Содержимое упаковки* в главе *Введение*. Упаковка полностью состоит из перерабатываемого материала. Техник, выполняющий установку, должен переработать их в отходы в соответствии с правилами дифференцированного сбора или, в любом случае, в соответствии с действующими в стране использования стандартами.

Контроль маркировки



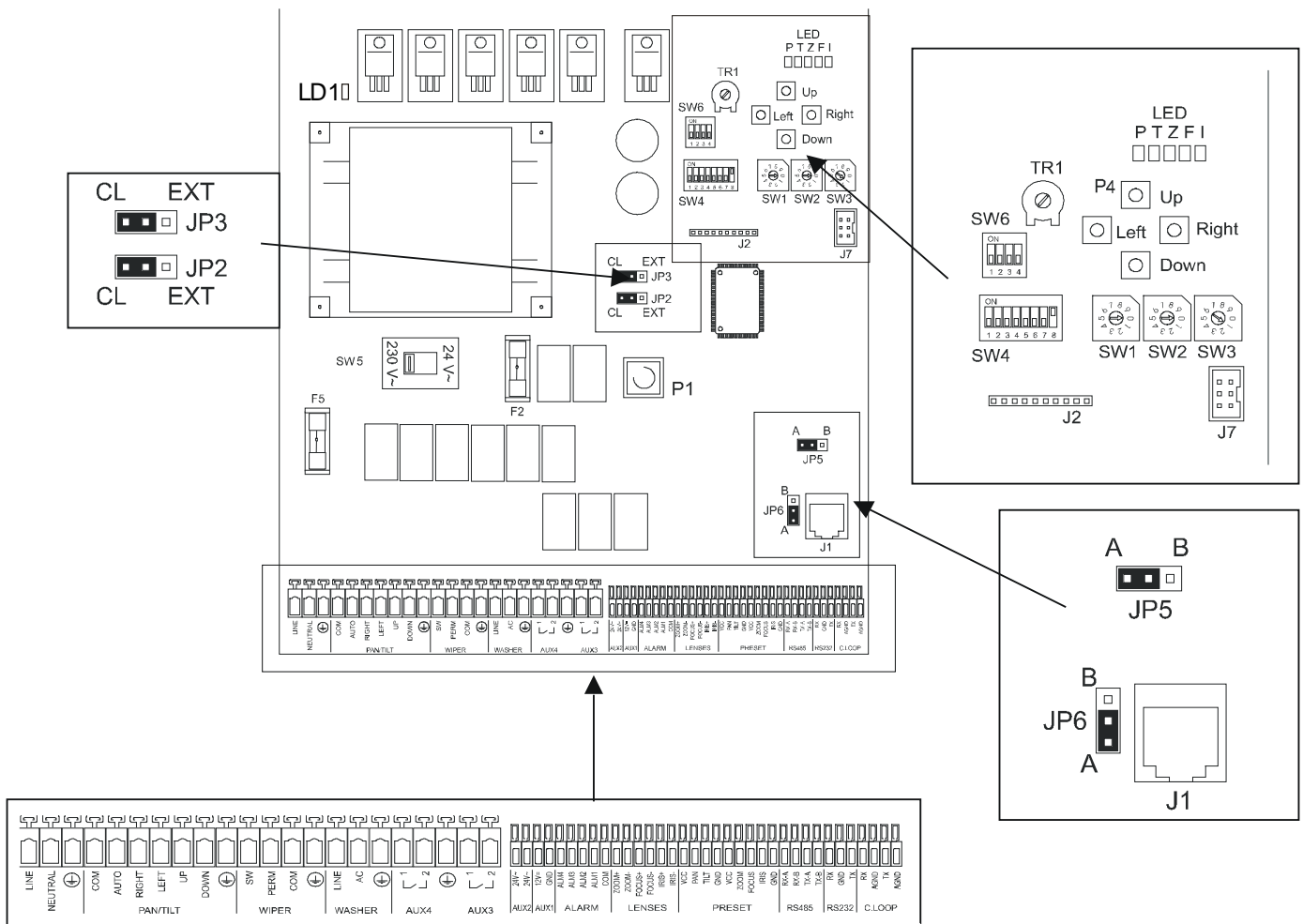
Перед началом установки убедиться, что поставляемое оборудование соответствует конкретной спецификации, проверяя маркировочные этикетки, как описано в главе *Данные маркировки*.

Ни в коем случае не выполнять непредусмотренные данным руководством соединения или изменения: использование несоответствующих приборов может стать причиной серьезных рисков для безопасности персонала и системы оборудования.

Двухрядный переключатель и перемычка конфигурации приёмника



На следующем рисунке определить двухрядный переключатель и перемычку конфигурации приёмника.



Конфигурация приёмника



Фаза конфигурации приёмника позволяет настроить её для оптимальной работы, в соответствии с потребностями системы.

Конфигурация должна быть выполнена только во время установки, осуществляемой техническим специалистом по установке.

Рекомендуется следовать порядку конфигурации параметров, чтобы избежать проблем во время установки.

Параметры, которые необходимо настроить на этапе конфигурации:

- Установка идентификационного номера приёмника
- Режим связи
- Тип контролируемых объективов
- Настройка протокола и скорости связи
- Настройка напряжения контроля поворотного устройства и стеклоочистителя (Wiper)
- Настройка вспомогательных контактов AUX3 / AUX4
- Соединение с блоком управления
- Регулировка напряжения контроля объективами
- Соединение кабелей поворотного устройства и объективов
- Настройка сигналов тревог
- Тестовая работа активных функций приёмника (для операций предварительной установки PRESET)

Установка идентификационного номера приёмника

Настроить поворотные переключатели SW1, SW2 и SW3 на основании адреса, который будет присвоен приёмнику, следующим образом:

SW1: Сотни
SW2: Десятки
SW3: Узел

Примеры:

Адрес приёмника № 359
Установить SW1 на 3, SW2 на 5 и SW3 на 9.

Адрес приёмника № 27
Установить SW1 на 0, SW2 на 2 и SW3 на 7.

Адрес приёмника № 4
Установить SW1 на 0, SW2 на 0 и SW3 на 4.

Режим связи DTRX3

На основании выбранной связи выполнить следующие настройки:

Токовая петля: JP2 и JP3 в положение CL
RS485: См. ниже (Подключение нагрузки линии RS485)
RS232: Нет необходимости в настройках

Подключение нагрузки линии RS485

Где выполнять операцию: перемычка JP5 и JP6

JP5 в положение A: нагрузка подключена на приёме RS485
JP5 в положение B: нагрузка отключена на приёме RS485
JP6 в положение A: нагрузка подключена на передаче RS485
JP6 в положение B: нагрузка отключена на передаче RS485

Тип контролируемых объектов



ВНИМАНИЕ! Неправильный выбор типа объектов может привести к повреждению самих объектов!

DTRX3 может контролировать как объекты с инверсией полярности, так и с общим проводом. В случае объектов с общим проводом подсоединить общий провод к FOCUS—.

Настройка протокола и скорости связи



ВНИМАНИЕ! Неправильный выбор протокола и/или скорости связи может привести к неисправности приёмника.

Предусмотрено также для эксплуатации в системах цифровой передачи, DTRX3 может выполнять связь со скоростью 300 до 38400 бод в зависимости от используемого протокола.

Где выполнять операцию: dip 1, 2 и 8 у SW4 и dip 1 у SW6

Настройки:

Протокол - Скорость двоичной передачи	SW6		SW4		
	Dip 1	Dip 1	Dip 2	Dip 8	
Videotec - 300 бод	ВЫКЛ	ВКЛ	ВЫКЛ	ВКЛ	
Videotec - 1200 бод	ВЫКЛ	ВЫКЛ	ВКЛ	ВКЛ	
Videotec - 9600 бод*	ВЫКЛ	ВЫКЛ	ВЫКЛ	ВКЛ	
Videotec - 19200 бод	ВЫКЛ	ВКЛ	ВКЛ	ВКЛ	
MACRO - 1200 бод	ВЫКЛ	ВЫКЛ	ВКЛ	ВЫКЛ	
MACRO - 9600 бод	ВЫКЛ	ВЫКЛ	ВЫКЛ	ВЫКЛ	
MACRO - 19200 бод	ВЫКЛ	ВКЛ	ВКЛ	ВЫКЛ	
MACRO - 38400 бод	ВЫКЛ	ВКЛ	ВЫКЛ	ВЫКЛ	
Pelco D - 2400 бод	ВКЛ	ВЫКЛ	ВЫКЛ	**	
Pelco D - 4800 бод	ВКЛ	ВКЛ	ВЫКЛ	**	
Pelco D - 9600 бод	ВКЛ	ВЫКЛ	ВКЛ	**	
Pelco D - 19200 бод	ВКЛ	ВКЛ	ВКЛ	**	

ПРИМЕЧАНИЯ:

* Настройка по умолчанию

** Настройка вне зависимости от dip; ВКЛ или ВЫКЛ

Настройка напряжения контроля поворотного устройства и стеклоочистителя



ВНИМАНИЕ! Неправильный выбор этой настройки может привести к повреждению поворотного устройства и стеклоочистителя!



Приёмник DTRX324 не требует этой настройки, так как он в состоянии поставлять только питание 24 В~.

Проверить напряжение работы поворотного устройства и стеклоочистителя: только оно указано на этикетке, наклеенной на объекте.

Где выполнять операцию : Переключатель SW5

Настройки:

- питание поворотного устройства и стеклоочистителя на 24 В~: SW5 в положение 24 В~
- питание поворотного устройства и стеклоочистителя на 230 В~: SW5 в положение 230 В~

Настройка вспомогательных контактов AUX3 / AUX4

можно настроить функционирование вспомогательных контактов AUX3 / AUX4, установив dip 6 переключателя SW4:

- dip 6 переключателя SW4 в положение ВЫКЛ (по умолчанию): оператор должен нажать на кнопку управления один раз, чтобы активировать вспомогательный контакт, и еще один раз, чтобы отключить его
- dip 6 переключателя SW4 в положение ВКЛ: вспомогательный контакт остается активным, пока оператор удерживает нажатой соответствующую кнопку управления

ПРИМ. Вспомогательный контакт AUX4 активируется также на контакте аварийного сигнала. Для более подробного описания данной функции см. параграф *Режим работы AUX4* в главе *Использование контактов аварийных сигналов*.

Соединение с блоком управления

Коннектор RJ11(J1 на рисунке на стр. 7), находящийся в контуре, обеспечивает прием и передачу цифровых данных в RS485 или RS232 и быструю связь различных приборов во время возможных этапов испытания, или для подключения интерфейсов преобразования, имеющихся в свободной продаже (RS232-оптоволокну, т.д.). Для итогового соединения рекомендуется использовать, в случае использования кнопочной панели контроля DCS3, режим RS485 с соответствующими соединительными клеммами (что позволяет достичь максимального расстояния 1200 м) или, как вариант, в случае использования кнопочной панели контроля DCS2, режим Токовой Петли (максимальное достигаемое расстояние 1500 м).

Соединение с линией RS485

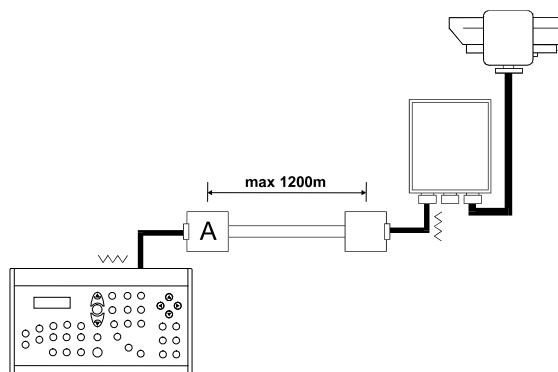
Кнопочные панели DCS3, DCJ, DCT и DCTEL и приёмник DTRX3 могут быть соединены напрямую с помощью телефонного кабеля, поставленного изготовителем, используя коннектор RJ11 (J1 на рисунке на стр. 7), имеющийся в контуре, в соответствии с таблицей, приведённой далее.



Соединение кнопочная панель - приёмник DTRX3

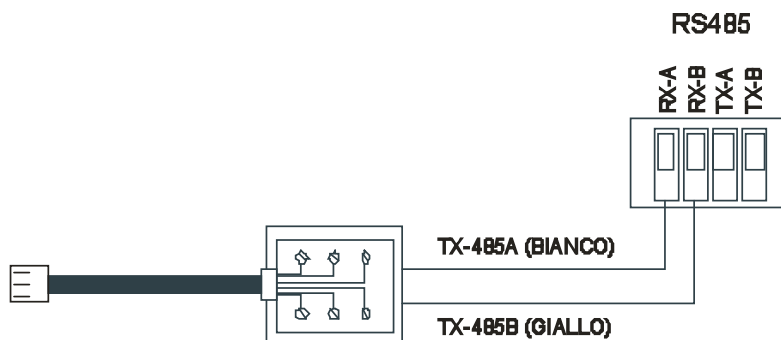
Режим связи RS485: макс. расстояние 1200 метров

Кнопочная панель (RJ11 A или B)		DTRX3
TX-485A Белый	-----	Синий RX-485A
TX-485B Жёлтый	-----	Чёрный RX-485B

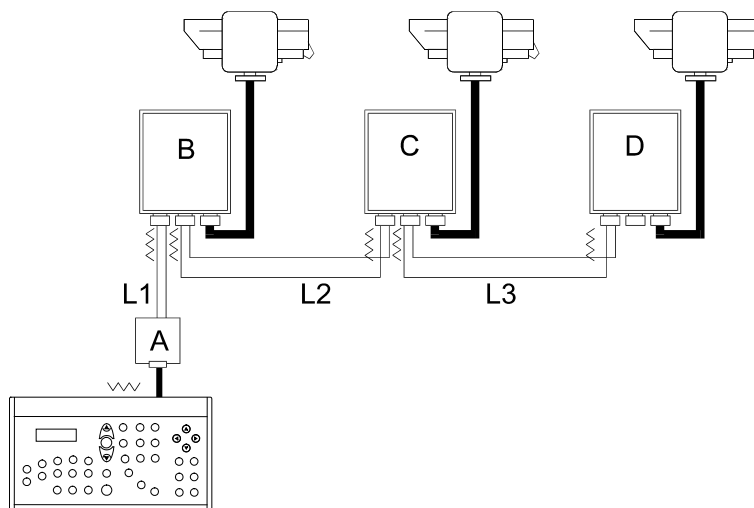


Примечание: Приёмник DTRX3 имеет подключенную нагрузку на приём и соединён с линией A или B кнопочной панели с подключенной нагрузкой.

Со стороны приёмника можно также легко подсоединиться к клеммам RX-485A и RX-485B в соответствии со следующей схемой:



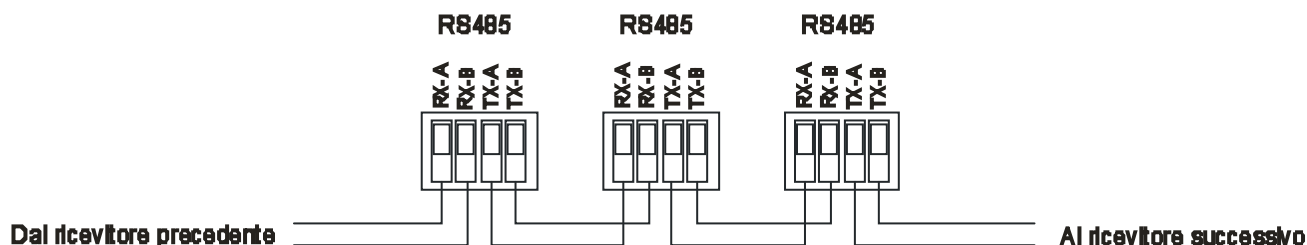
Каскадное соединение нескольких приёмников (соединение типа "точка-точка")



Приемники DTRX3 могут внутренне регенерировать принимаемый сигнал и отправлять его на новую линию связи к следующему приемнику. Каждый из трех участков линии (L1, L2, L3) считается независимым и соединяет по принципу точка-точка только два устройства, оба с подключенной нагрузкой, на длину максимум 1200 метров. Расстояние между кнопочной панелью и приемником D может достигать 3600 м (1200 м между кнопочной панелью и приемником B, 1200 м приемником B и приемником C, и еще 1200 м между приемником C и приемником D, и всего 3600 м).

	Клавиатура	Телефонный кабель	RJ-JACK	DTRX3
RS485A	коннекторы	—	белый желтый	RX-485A
RS485B	RJ11 'A' или 'B'			RX-485B

Примечание: Клеммы RX-485A и RX-485B с подключенной нагрузкой должны быть подсоединены, соответственно, к клеммам TX-485A и TX-485B предыдущего блока, также с подключенной нагрузкой:

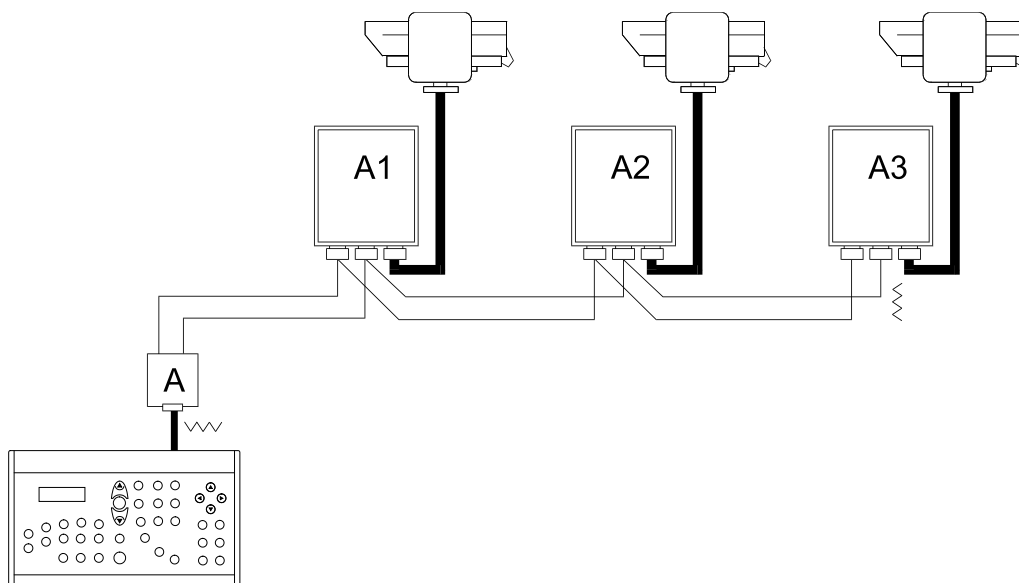


Примечание. В случае данного соединения (точка-точка) неисправность одного из приемников ведет к прерыванию устройств в каскаде.

Несколько приёмников в линии, соединение с витой парой (многоточечное соединение)

Все приемники, подключенные к той же линии, должны использовать тот же протокол связи RS485. Для каждой из линий действительны следующие соображения:

- нагрузка подключена только у одной из кнопочных панелей (та, что расположена на одном конце линии)
- нагрузка подключена только у одного из приемников (расположен на другом конце линии).
- общая длина линии не должна превышать 1200 м



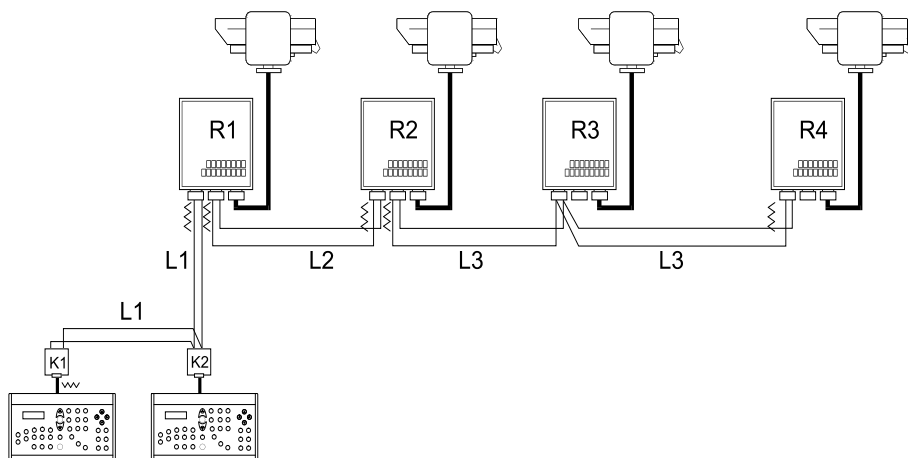
использована линия А кнопочной панели DCS3 для связи к телеметрии. На концах (кнопочная панель - приёмник А3) должно быть подключено оконечное сопротивление. На приёмниках А1, А2 оконечное сопротивление не должно быть подключено. Максимальная длина линии, от одного конца до другого (от кнопочной панели к приёмнику А3), составляет 1200- м.

Примечание. В случае такой связи (многоточечное соединение), выход из строя одного из устройств не влияет на другие приёмники.

Смешанные конфигурации (точка-точка / многоточечное)

Это сочетание двух предыдущих способов соединения, и, в зависимости от выбранной комбинации, позволяет лучше использовать преимущества обоих типов связи, существенно снижая, таким образом, вероятность неисправности.

Пример смешанного соединения:



На предложенном примере возможная блокировка приёмника R3 (подсоединённого к линии L3 многоточечным образом) не приводит к сбоям приёмника R4. R3 находится не на концах линии L3, поэтому окончание не требуется.

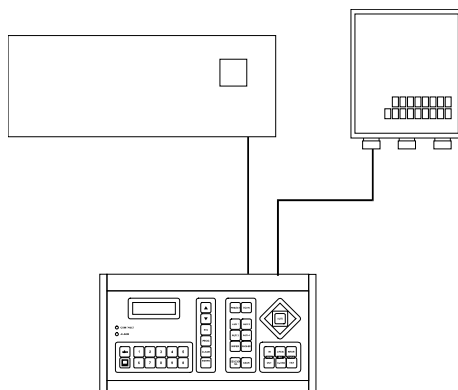
Если приёмник R2 заблокируется, будучи "генератором" линии L3, все приёмники, подключенные к нему в каскаде (R3 и R4), не будут получать команды.

Соединение с линией Current Loop (токовая петля)

Различные устройства (кнопочная панель DCS2, видеоматрица SM328B и приёмник DTRX3) могут быть подключены напрямую с помощью телефонного кабеля, поставляемого изготовителем:



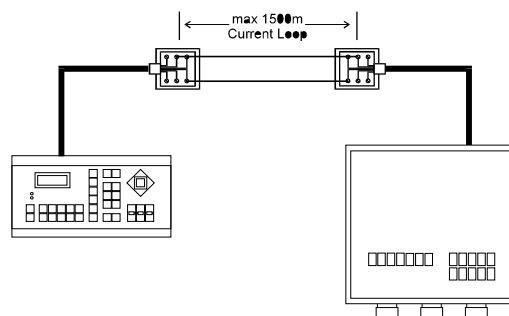
Соединение DCS2 - приёмник DTRX3



Для нормальных связей в поле, обратиться к подключениям, выполненным с помощью распределительных коробок RJ, предоставляемых производителем, в соответствии со справочными таблицами, приведёнными ниже:

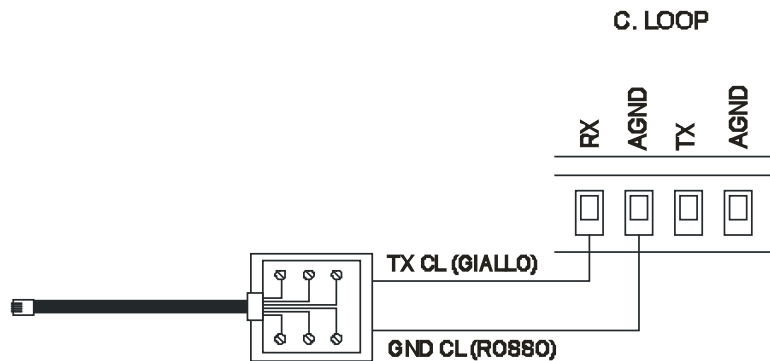
Режим связи Current Loop (токовая петля):

макс. расстояние 1500 метров от DTRX3;
перемычки JP2 и JP3 в положение CL.

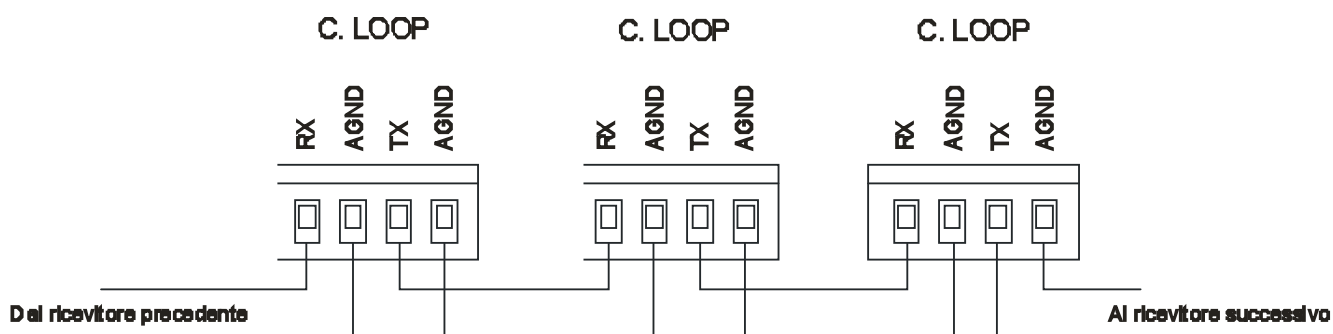


DCS2 / DCMT8		DTRX3
TX CL Жёлтый	-----	Клемма RX CL
GND CL Красный	-----	Клемма AGND

Примечание: со стороны Приемника должно быть выполнено соединение к клеммам RXCL и AGND, как показано ниже:



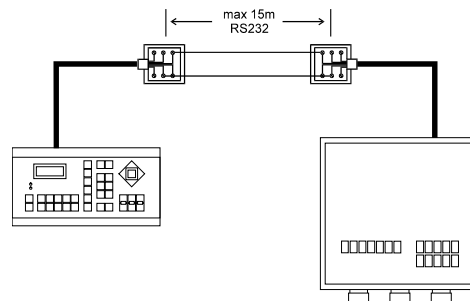
- если приёмник подключен в каскад к другому устройству DTRX3, режим приёма необходимо настроить на Токовую Петлю с перемычкой JP2 и JP3 в положение CL.
- клеммы RX CL и AGND должны быть подключены, соответственно, к клеммам TX CL и AGND предыдущего блока, в соответствии со следующей схемой:



Соединение с линией RS232

Подключение RS232: максимальное расстояние 15 метров.

DCS2 / DCMT8		DTRX3
TX RS232 Чёрный	-----	Жёлтый RX RS232
GND RS232 Зелёный	-----	Красный GND RS232



Регулировка напряжения контроля объективами

- подключить кабель питания и подать питание на блок DTRX3 (СИД1 включен)
- подключить нагрузку между клеммами FOCUS NEAR и FOCUS FAR, которая потребляет как минимум 10 мА (использовать резистор со значением между 100 и 1000 Ом).
- разместить концы тестера на клеммах FOCUS NEAR и FOCUS FAR
- удерживать нажатой одну из кнопок FOCUS на блоке управления
- отрегулировать напряжение контроля объектива с помощью триммера TR1 (по умолчанию 12 В⁻⁻⁻)

Примечание. Не регулировать напряжение вхолостую (не подключив нагрузку), иначе регулировка будет неправильной.

Соединение кабелей поворотного устройства и объективов



ВНИМАНИЕ! Перед тем, как выполнить следующие операции, убедиться в правильности напряжения контроля поворотного устройства и установки типа используемых объективов.

- отключить электропитание блока
- выполнить соединения с объективом и поворотным устройством
- отключить электропитание блока



В случае объективов и поворотных устройств с функциями PRESET (PAN, TILT, ZOOM, FOCUS и IRIS, VCC и GND), максимальная длина кабелей предварительной установки (preset) не должна превышать 5 метров, иначе есть риск невозврата в сохранённые положения.

Настройка приёмника для функций PRESET

Приёмник DTRX3 представляет интегрированные функции предварительной настройки (preset) (связанные с поворотным устройством и объективами). можно сохранить до максимум 14 позиций, используя протокол Videotec standart, или до максимум 40, используя протоколы MACRO и Pelco D. Все позиции вызываются с помощью кнопочной панели с помощью функций Scan и Patrol. Приемник способен распознавать в автоматическом режиме с помощью теста, какие функции предварительной установки присутствуют, и поэтому устройство можно легко настроить. Тем не менее, необходимо принять некоторые меры предосторожности:

- перед выполнением проверки приемника (при котором определяются активные функция предустановки) убедитесь, что правильно подключены кабели поворотного устройства и объектива.
- для кабелей предустановки (PAN, TILT, ZOOM, FOCUS, IRIS, VCC и GND) использовать кабели длиной не более 5 метров.

Проверка приёмника

После подсоединения кабелей для поворотного устройства и объектива, чтобы контролировать правильность работы устройств, можно запустить процедуру автоматической проверки, которая определит доступные функции.



ВНИМАНИЕ! Поворотное устройство во время проверки двигается автоматически. Не опираться на него, избегать препятствий на его ходу.

Продолжить, следуя данным инструкциям:

1. включить приёмник
2. определить кнопку со стрелкой вверх (кнопка P4) и кнопку сброса (**кнопка P1**)
3. удерживая нажатой кнопку со стрелкой Вверх, нажать на кнопку сброса
4. отпустить кнопку сброса (удерживая кнопку "Вверх"): начинается автопроверка
5. после начала проверки отпустить кнопку "Вверх"

Приёмник активирует одну функцию за раз на протяжении примерно 3 секунд:

- Pan: вправо-влево (Сид P)
- Tilt: вниз-вверх (Сид T)
- Zoom: шир-теле (Сид Z)
- Focus: далек-близ (Сид F)
- Iris: закр-откр (Сид I)

Результат теста указан 5 светодиодами P, T, Z, F, I (размещенными в приемнике ближе к кнопкам со стрелками, смотри рисунок на стр. 7) по завершении движения поворотного устройства и объективов:

- СИД горит: соответствующая функция (pan P, tilt T, zoom Z, focus F, iris I) исправно работает
- СИД мигает: соответствующая функция неправильно работает или отсутствует и не может быть использована для операций предустановки (preset) /сканирования(scan) /патрулирования (patrol)

Через несколько секунд после окончания теста приёмник автоматически перезагрузится, чтобы возобновить нормальную работу.



ВНИМАНИЕ! Мигание как минимум одного светодиода по окончании теста (если функция не отсутствует) указывает на неисправность, которую необходимо устранить перед запуском приёмника!

Использование контактов аварийных сигналов

Четыре контакта аварийных сигналов в приемнике DTRX3 связаны с первыми четырьмя положениями предустановки; если аварийный сигнал активен, поворотное устройство и объектив переходят в соответствующее положение предустановки; последний аварийный сигнал всегда имеет наивысший приоритет. Возможно, что DTRX3 получает команду аварийного сигнала и через кнопочные панели управления DCS2 и DCS3 (которые, в свою очередь, получают его от матриц SM84B/SM164B или SM328B); в этом случае поворотное устройство и объектив переходят в положение предустановки №1. Чтобы использовать контакты аварийных сигналов, необходимо установить dip-переключатель SW4 следующим образом:

- dip 3 SW4 в положение ВКЛ: контакты аварийного сигнала активны
- dip 3 SW4 в положение ВЫКЛ: контакты аварийного сигнала не активны
- dip 4 SW4 в положение ВКЛ: контакты нормально открыты
- dip 4 SW4 в положение ВЫКЛ: контакты нормально закрыты

Режим работы AUX4

Где выполнять операцию : dip 5 у SW4

Настройки:

- dip 5 у SW4 в положении ВЫКЛ: нормальная работа
- dip 5 у SW4 в положении ВКЛ: AUX4 активируется для обеспечения аварийного сигнала и выключается для прекращения аварийного сигнала.

Вспомогательные выводы AUX1 и AUX

Выводы AUX1 (12 В⁻⁻⁻, макс. 350 мА) и AUX2 (24 В[~], макс. 180 мА) могут использоваться для питания камеры. Для обеспечения выходного напряжения необходимо включить вспомогательный вывод с помощью команды AUX ON («Включить вспомогательный вывод»).

Для выключения вспомогательного вывода (отсутствие выходного напряжения) воспользуйтесь командой AUX OFF («Выключить вспомогательный вывод»)-



Приемник команд DTRX3 сохраняет данные о последнем состоянии вспомогательных выводов AUX1 и AUX2 даже в случае отключения питания.

Локальные кнопки движения поворотного устройства

Приёмник DTRX3 имеет 4 локальные кнопки (на плате) для движения поворотного устройства в четырёх направлениях (вверх, вниз, вправо, влево, см. рисунок на стр. 7). Они очень полезны на этапе установки для движения поворотного устройства с целью контроля положения концевого выключателя и/или правильной установки поворотного устройства. Кнопки со стрелками имеют абсолютный приоритет, поэтому при их нажатии удалённое управление приёмником (управление с помощью кнопочной панели) временно отключается. Когда кнопки со стрелками отпущены, функциональность приёмника полностью восстанавливается.

Кнопка "Вверх" в комбинации с кнопкой сброса служит для выполнения самопроверки (см. главу *Проверка приёмника DTRX3*).

Команды Pelco D, распознаваемые приёмником

Помимо стандартных команд протокола Pelco D, относящихся к движению поворотного устройства и контролю объективов, приёмник **DTRX3** может распознавать и выполнять также следующие команды:

Команда Pelco D	Команда опознана DTRX3	Особые примечания
Set Auxiliary (Установка Вспомогательного контакта)	Aux ВКЛ	Принимает значения между 1 и 4
Clear Auxiliary (Очистить Вспомогательный контакт)	Aux ВЫКЛ	Принимает значения между 1 и 4
Set Pattern Start (Уст. Начала Шаблона)	Переключ. автопанорамирования	--
Run Pattern (шаблон запуска)	Patrol Toggle (переключение патрулирования)	--
Remote Reset (удалённый сброс)	Сброс приемника	--
Go To Preset "1÷40" (перейти к предуст)	Сканирование	Принимает значения между 1 и 40
Уст. Предуст "1÷40"	Положение Предуст.	Принимает значения между 1 и 40
Очистить Предуст. "1÷40"	Сброс отдельного положения Предуст.	Принимает значения между 1 и 40
Уст. Предуст "41" Уст. Предуст "..." Уст. Предуст "..." Уст. Предуст "..."	Начало получения параметров для Patrol (см. пример ***) Patrol "Положение От" Patrol "Положение К" Patrol "Пауза"	-- Принимает значения между 1 и 40 Принимает значения между 1 и 40 Принимает значения между 1 и 99
Уст. Предуст "42"	Patrol Старт	--
Уст. Предуст "43"	Patrol Стоп	--
Уст. Предуст "44"	Washer-Wiper (мойка-стеклоочиститель)	--
Уст. Предуст "45"	Washer Старт**	--
Уст. Предуст "46"	Wiper Старт**	--
Уст. Предуст "47"	Washer Стоп	--
Уст. Предуст "49"	Wiper Стоп	--
Уст. Предуст "55" Уст. Предуст "66"	Сброс всех заданных положений	Две команды даются в последовательности

ПРИМЕЧАНИЯ

* Процедура с установленным временем срабатывания: в первый период активируется функция мойки Washer, а следом запускается стеклоочиститель Wiper. Стеклоочиститель остаётся активным и после выключения мойки на протяжении заданного времени.

** Автоматическое выключение через 10 секунд

*** **Пример программирования последовательности Patrol**

Если необходимо определить последовательность Patrol, которая начинается с Preset 19, заканчивается в положении Preset 33 и останавливается на минуту в любом достигнутом положении:

4 1 PRESET подключение получения параметров

1 9 PRESET начальное положение Patrol равно 19

3 3 PRESET конечное положение Patrol равно 33

6 0 PRESET пауза 60 секунд в каждом достигнутом положении

4 2 PRESET начало последовательности

4 3 PRESET конец последовательности

Включение и выключение



Перед подачей питания:

- проверить, что поставляемое оборудование соответствует конкретной спецификации, проверяя маркировочные этикетки, как описано в главе *Данные маркировки*.
- проверить целостность предохранителей DTRX3 приёмника.
- проверить, что приёмник и другие компоненты в системе закрыты и, следовательно, прямой контакт с токоведущими частями невозможен.
- проверить, чтобы все компоненты были закреплены хорошо и надежно.
- кабели питания не должны представлять помеху для нормальной деятельности технического специалиста, выполняющего установку и движение поворотного устройства.
- проверить, что источники питания и соединительные кабели в состоянии обеспечить необходимое энергопотребление системы.

Техобслуживание



Приёмник DTRX3 не требует особенного технического обслуживания.

Рекомендуется установить её таким образом, чтобы кабели питания и соединения, в виду их расположения, не мешали движениям поворотного устройства.

Устранение неисправностей



Приёмник DTRX3 характеризуется значительной простотой эксплуатации, но несмотря на это могут появиться проблемы на этапе установки, конфигурации или во время использования.

ПРОБЛЕМА	ВОЗМОЖНАЯ ПРИЧИНА	РЕШЕНИЕ
<i>СИД1 выключен</i>	<ul style="list-style-type: none">• Нет питания	<ul style="list-style-type: none">• Проверить кабель питания
<i>СИД1 включен, но команды не выполняются</i>	<ul style="list-style-type: none">• Ошибочная конфигурация приёма• Неправильное соединение DTRX3• Неправильная идентификация• Блокировка устройства• Неправильный протокол и скорость передачи	<ul style="list-style-type: none">• В случае приёма на RS485 проверить, что подключена/не подключена нагрузка с помощью перемычки JP5 В случае приёма на токовую петлю проверить, что перемычка JP2 и JP3 находятся в положении CL• Проверить соединительные кабели• Проверить идентификационный номер DTRX3 (SW1-SW2-SW3)• Нажать на кнопку сброса P1 или отключить напряжение питания• Проверить установку dip 1, 2 и 8 у SW4 и dip 1 у SW6
<i>Поворотное устройство не работает</i>	<ul style="list-style-type: none">• Неправильное питание поворотного устройства• Перегорел предохранитель	<ul style="list-style-type: none">• Проверить, чтобы напряжение питания поворотного устройства соответствовало поставляемому от приёмника• Заменить предохранитель F5 (230 V~) или F2 (24 V~)
<i>Объектив не работает</i>	<ul style="list-style-type: none">• Неправильное напряжение объектива	<ul style="list-style-type: none">• Проверить регулировку триммера TR1
<i>Аварийные сигналы не работают</i>	<ul style="list-style-type: none">• Неправильная конфигурация dip аварийных сигналов	<ul style="list-style-type: none">• Проверить настройки dip 3, 4, 5 у SW4
<i>В каскадном соединении последующие блоки не получают команды</i>	<ul style="list-style-type: none">• Неправильное соединение• Неправильная конфигурация приёма• Неправильная конфигурация двухрядного переключателя (dip)	<ul style="list-style-type: none">• Проверить соединительные кабели• В случае передачи на RS485 проверить, что подключена/не подключена нагрузка с помощью перемычки JP6 В случае передачи на токовую петлю проверить, что перемычка JP2 и JP3 находятся в положении CL• Проверить настройку адреса неработающих устройств

Таблицы конфигурации dip-переключателей SW6 и SW4

SW6		
Dip	Состояние	Функция
1	ВКЛ	Протокол Pelco D
1	ВЫКЛ	Протоколы Videotec или MACRO (устанавливая dip 8 у SW4)
2 3 4	Не влияет	Нет

SW4		
Dip	Состояние	Функция
1 2	ВЫКЛ ВЫКЛ	9600 бод* (Videotec и MACRO), 2400 Pelco D
1 2	ВКЛ ВЫКЛ	300 бод Videotec, 38400 бод MACRO, 4800 бод Pelco D
1 2	ВЫКЛ ВКЛ	1200 бод (Videotec или MACRO), 9600 бод Pelco D
1 2	ВКЛ ВКЛ	19200 бод (Videotec, MACRO и Pelco D)
3	ВЫКЛ	Не используемые аварийные сигналы*
3	ВКЛ	Используемые аварийные сигналы
4	ВЫКЛ	Аварийные сигналы Н.З.*
4	ВКЛ	Аварийные сигналы Н.О.
5	ВЫКЛ	--
5	ВКЛ	Аварийные сигналы Aux4
6	ВЫКЛ	--
6	ВКЛ	Aux3 и Aux4 при отпуске
7	ВЫКЛ	--
8	ВКЛ**	Протокол Videotec standard****
8	ВЫКЛ***	Протокол MACRO**** (DCJ, DCT, DCTEL и DCIR)

ПРИМЕЧАНИЯ:

* Настройки по умолчанию

** Действительно с кнопочными панелями DCS3, DCS2 и DCMT8 (DCJ, DCT, DCTEL и DCIR с протоколом Videotec standard)

*** Действительно с кнопочными панелями DCJ, DCT, DCTEL и DCIR с протоколом MACRO

**** Выбирается, только если dip SW6 находится в положении ВЫКЛ.

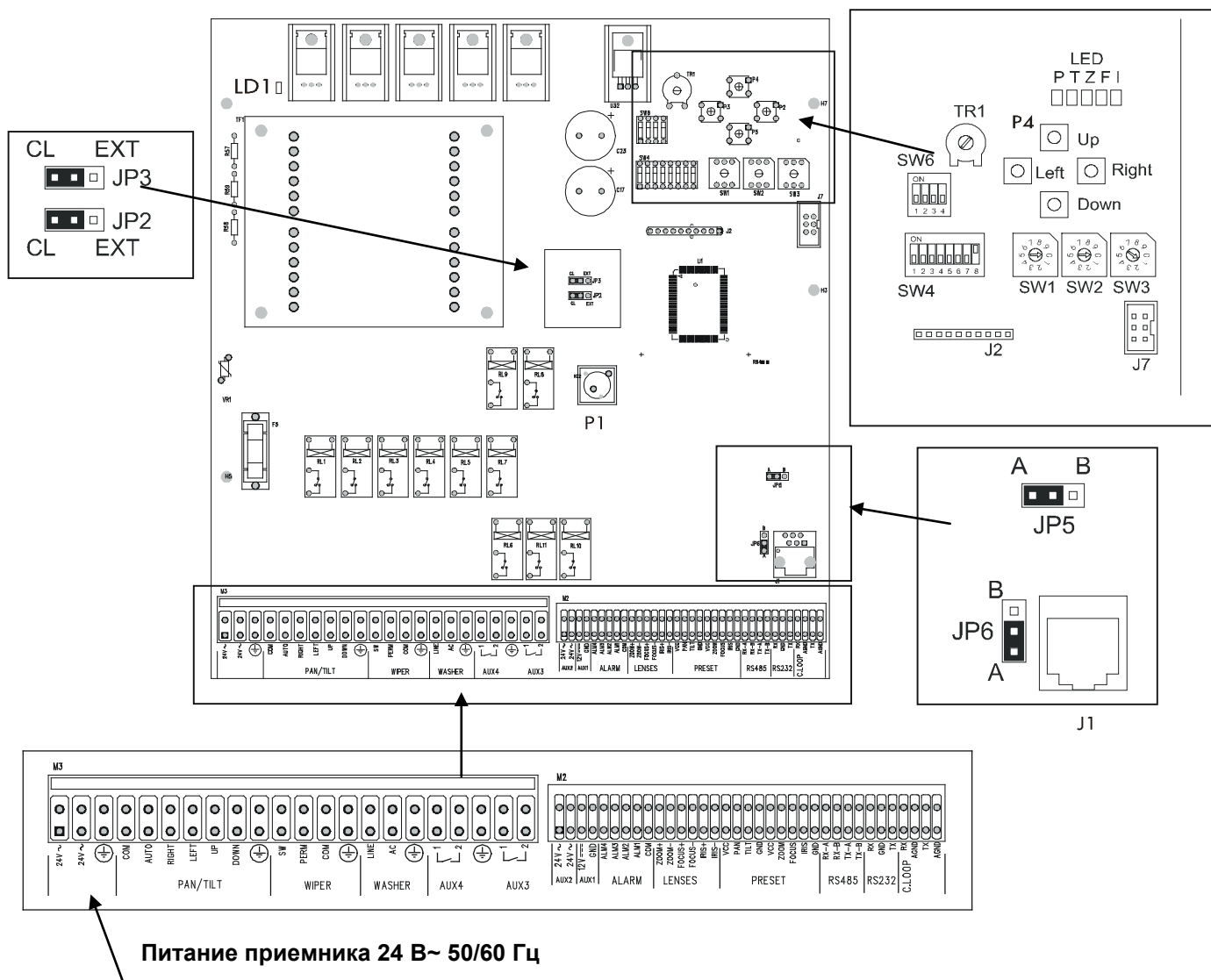
Технические характеристики

Напряжение питания	230 В~ 50 Гц
Потребление	60 Вт
Максимальная коммутируемая мощность	100 Вт
Напряжение питания поворотного устройства	24/230 В~ 50 Гц выбираемый
Напряжение питания стеклоочистителя	24/230 В~ 50 Гц выбираемый
Напряжение питания насоса стеклоочистителя	24 В~ 50/60 Гц
Напряжение питания объектива	3 В \pm 12 В \pm (макс. 100 мА)
Предохранители	F2: 2.5 A F 250 В F5: 1 A F 250 В
Рабочая температура	От -20 °С до + 50 °С
Размеры	337 x 237 x 128 мм
Вес нетто	3,6 kg

Описание приёмника DTRX324

Что касается характеристик и примеров установки, их можно найти в параграфах, связанных с приемником DTRX3.

Для правильного питания приемника DTRX324 обратитесь к следующей схеме:



Примечание. Для выполнения любой другой процедуры установки обратитесь к разделу о приемнике DTRX3 (соединение поворотного устройства, объекта, предустановки, настройки протокола и скорости двоичной передачи, и т.д.).

Совместимые устройства для использования с приёмником DTRX324

- Кнопочная панель контроля: **DCS3, DCS2, DCMT8, DCJ, DCT, DCTEL, DCIR**
- Поворотные устройства: **PTH311/PTH311P, PTH911/PTH911P, NXPTH2101**
- Контроллер связей: **DCMX**
- Распределитель серийных данных: **DCRE485**

См. отдельные руководства по эксплуатации для полного описания характеристик устройств.

Технические характеристики

Напряжение питания	24 В~ 50/60 Гц
Потребление	40 Вт
Максимальная коммутируемая мощность	100 Вт
Напряжение питания поворотного устройства	24 В~ 50/60 Гц
Напряжение питания стеклоочистителя	24 В~ 50/60 Гц
Напряжение питания насоса стеклоочистителя	24 В~ 50/60 Гц
Напряжение питания объектива	3 В ⁻⁻⁻ ÷ 12 В ⁻⁻⁻ (макс. 100 мА)
Предохранители	F5: 6.3 А F 250 В
Рабочая температура	От -20 ° С до + 50 ° С
Размеры	337 x 237 x 128 мм
Вес нетто	3,6 kg
Сертификат ЕАС	

Headquarters Italy Videotec S.p.A.

Via Friuli, 6 - I-36015 Schio (VI) - Italy
Tel. +39 0445 697411 - Fax +39 0445 697414
Email: info@videotec.com

Asia Pacific Videotec (HK) Ltd

Flat 8, 19/F. On Dak Industrial Building, No. 2-6 Wah Sing Street
Kwai Chung, New Territories - Hong Kong
Tel. +852 2333 0601 - Fax +852 2311 0026
Email: info.hk@videotec.com

France Videotec France SARL

Immeuble Le Montreal, 19bis Avenue du Québec, ZA de Courtaboeuf
91140 Villebon sur Yvette - France
Tel. +33 1 60491816 - Fax +33 1 69284736
Email: info.fr@videotec.com

Americas Videotec Security, Inc.

Gateway Industrial Park, 35 Gateway Drive, Suite 100
Plattsburgh, NY 12901 - U.S.A.
Tel. +1 518 825 0020 - Fax +1 518 825 0022
Email: info.usa@videotec.com - www.videotec.com



www.videotec.com

MNVC DTRX301_1623