

EXDTRX

TELEMETRY RECEIVER FOR EXPT EX-PROOF P&T UNITS



MAIN FEATURES

17 functions, preset, glass protection device and alarm feature included
 IP66
 230Vac or 24Vac power supply
 EXDTRX3 feeds the Pan & Tilt heater
 4 holes for cable glands 3/4" NPT
 Up to 40 preset positions
 4 alarm inputs (prepositioning in case of alarm)
 Preset Autotest functions
 RS232, RS485 selectable communication
 Compatible with protocol PELCO D

DESCRIPTION

Telemetry receiver in explosion-proof box for the control of EXPTC and EXPTD explosion-proof Pan & Tilt. It allows the installations in potentially hazardous areas.

EXDTRX controls the explosionproof P&T functions, including the preset and optics functions.

Epoxy powder painting, color RAL 7032. 4 holes 3/4 "NPT for cable glands.
 Available in 230Vac, EXDTRX3, and in 24Vac, EXDTRX324.



EXDTRX3



EXDTRX324



EXDTRX

TECHNICAL DATA**GENERAL**

Constructed from aluminium alloy
 Neoprene gaskets
 Stainless steel external screws
 Epoxypolyester powder painting, RAL7032 color
 Supplied with 2x3/4" NPT plugs

MECHANICAL

External dimensions: 410x410x296mm (16x16x11.7in)
 Internal dimensions: 353x353x206mm (14x14x8.1in)
 Unit weight:
 • EXDTRX324: 29kg (64lb)
 • EXDTRX3: 32kg (70.5lb)

ELECTRICAL

Supply voltage
 • IN 230Vac, 50/60Hz, 40W max
 • IN 24Vac, 50/60Hz, 40W max
 Max. switching power: 100W
 Power supplied to the positioning device: IN 24Vac, 50/60Hz
 Power supplied to glass protection device: IN 24Vac
 Power supplied to the lens: OUT 3-12Vdc (max 100mA)
 999 selectable addresses through Dip Switches
 Ability of using both polarity inversion lenses and common wire lenses
 LED indicating power supplied to the unit
 LED indicating active functions
 EEPROM for the storage of active options
 16 bit microcontroller with re-programmable Flash memory
 PRESET / SCAN / PATROL functions with an automatic recognition of the existing functions
 Ability to memorize up to 40 PRESET positions with VIDEOTECH MACRO (DCJ and DCT keyboards) and PELCO D protocol
 4 alarm contacts set as N.O. or N.C.
 Communications:
 • Selectable serial input (RS-232, Current Loop, RS-485)
 • Selectable communication speed (38400/19200/9600/1200/300 baud rate)
 • Repeater RS-232 or RS-485
 Protocols:
 • PELCO D (2400, 4800, 9600, 19200 baudrate)
 • VIDEOTECH (300, 1200, 9600, 19200 baud rate)
 • VIDEOTECH MACRO (1200, 9600, 19200, 38400 baud rate)

ENVIRONMENT

Indoor/Outdoor
 Operating temperature: 0°C (32°F)/+40° (104°F)
 Certification temperature: -20°C (-4°F)/+40° (104°F)

CERTIFICATIONS

ATEX
 ⚠ II 2GD Ex d IIC T6 Gb
 Ex tb IIIC T85°C Db IP66
 Ⓢ 0722: notify number from competent body
 EAC EX
 Ex II 2 GD Ex d IIC T6, IP66 -20°C/+40°C
 Ex tb IIIC T85°C, IP66, -20°C/+40°C

ACCESSORIES

OCTEX3/4C	Cable gland in nickel-plated brass with gasket EX 3/4" NPT, unarmoured cable IECEX-ATEX-EAC Ex
OCTEXA3/4C	Cable gland in nickel-plated brass with gasket EX 3/4" NPT, armoured cable IECEX-ATEX-EAC Ex
OCTEXB3/4C	Barrier cable gland in nickel-plated brass 3/4" NPT, unarmoured cable IECEX-ATEX-EAC Ex
OCTEXBA3/4C	Barrier cable gland in nickel-plated brass 3/4" NPT, armoured cable IECEX-ATEX-EAC Ex
OCTEX3/4	Cable gland in nickel-plated brass with gasket EX 3/4" NPT, unarmoured cable ATEX
OCTEXA3/4	Cable gland in nickel-plated brass with gasket EX 3/4" NPT, armoured cable ATEX
OCTEXB1/2C	Barrier cable gland in nickel-plated brass EX 1/2" NPT, unarmoured cable IECEX-ATEX-EAC Ex
OCTEX1/2C	Cable gland in nickel-plated brass EX 1/2" NPT, unarmoured cable IECEX-ATEX-EAC Ex, with gasket from 3 to 8mm (0.12 to 0.31in)
OCTEXS1/2C	Cable gland in nickel-plated brass EX 1/2" NPT, unarmoured cable IECEX-ATEX-EAC Ex, with gasket from 7.5 to 11.9mm (3 to 4.7in)
OCTEX1/2-3/4C	Cable glands reduction in nickel-plated brass 3/4" - 1/2" NPT IECEX-ATEX-EAC Ex
OCTEXP3/4C	Conduit cable gland nickel-plated brass 3/4" NPT IECEX-ATEX-EAC EX
OEXPLUG3/4	Plug EX 3/4" NPT IECEX-ATEX-EAC Ex

RELATED PRODUCTS

EXPTC	Ex-proof integrated P&T motors with camera housing
EXPTD	Explosion proof Pan & Tilts with integrated camera housing equipped with glass protection device
DCTEL	Matrix and telemetry control keyboard
DCJ	Keyboard for video and telemetry control
SM82A	Video matrix 8 inputs and 2 outputs
SM164B	Video matrix 16 inputs and 4 outputs
SM328B	Matrix 32 inputs and 8 outputs

PACKAGE

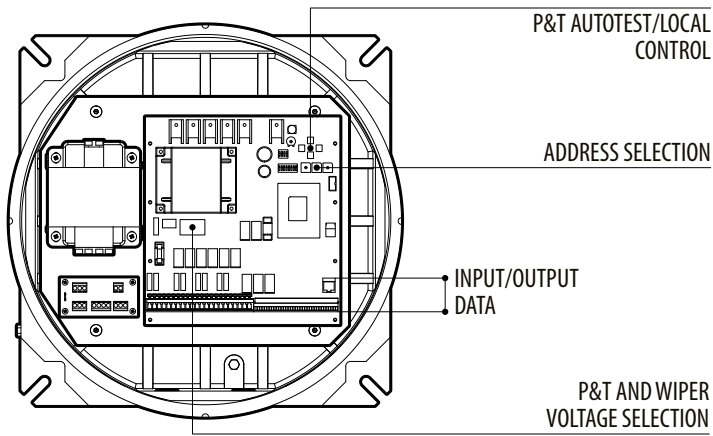
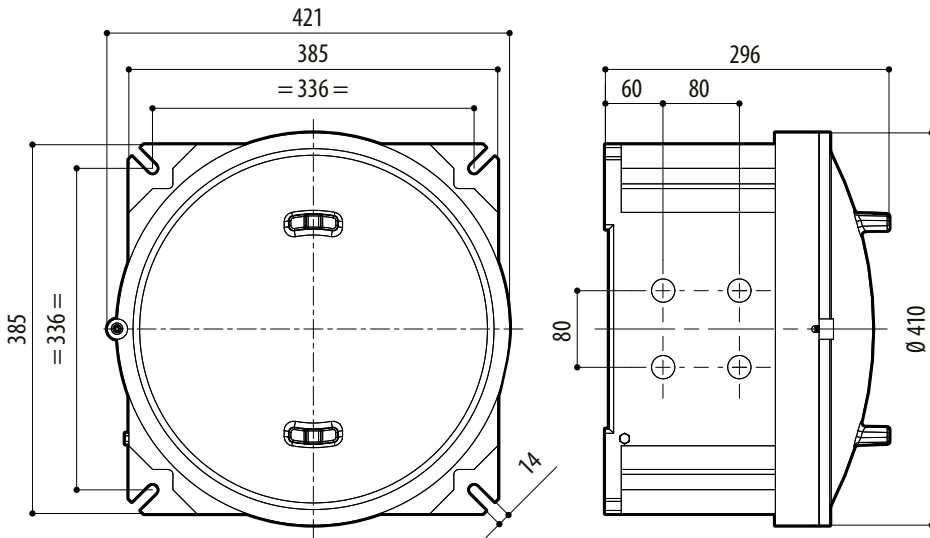
Model Number	Weight	Dimensions (WxHxL)	Master carton
EXDTRX324	30.5kg (67lb)	50x50x36cm (19.7x19.7x14.2in)	(WxHxL) -
EXDTRX3	33.5kg (74lb)	50x50x36cm (19.7x19.7x14.2in)	(WxHxL) -

1/2" NPT CABLE GLAND SELECTION GUIDE						
Zone, Gas	Cable gland type	Certification	Operating temperature	Cable	Cable glands part code	Diameter of the external cable (mm)
IIC, Zone 1 or Zone 2 IIB or IIA, Zone 1	Barrier	IECEX/ATEX/EAC Ex	-60°C / +80°C (-76°F / +176°F)	Not armoured	OCTEXB1/2C	3 - 8
IIB or IIA, Zone 2	With gasket	IECEX/ATEX/EAC Ex	-60°C / +100°C (-76°F / +212°F)	Not armoured	OCTEX1/2C	3 - 8
				Not armoured	OCTEXS1/2C	7.5 - 11.9

3/4" NPT CABLE GLAND SELECTION GUIDE							
Zone, Gas	Cable gland type	Certification	Operating temperature	Cable	Cable glands part code	Diameter of the external cable (mm)	Under armor cable diameter (mm)
IIC, Zone 1 or Zone 2 IIB or IIA, Zone 1	Barrier	IECEX/ATEX/EAC Ex	-60°C / +80°C (-76°F / +176°F)	Not armoured	OCTEXB3/4C	13 - 20.2	–
				Armored	OCTEXBA3/4C	16.9 - 26	–
IIB or IIA, Zone 2	With gasket	IECEX/ATEX/EAC Ex	-60°C / +100°C (-76°F / +212°F)	Not armoured	OCTEX3/4C	13 - 20.2	–
				Armored	OCTEXA3/4C	16.9 - 26	11.1 - 19.7
		ATEX	-20°C / +80°C (-4°F / + 176°F)	Not armoured	OCTEX3/4	14 - 17	–
				Armored	OCTEXA3/4	18 - 23	14 - 17

TECHNICAL DRAWINGS

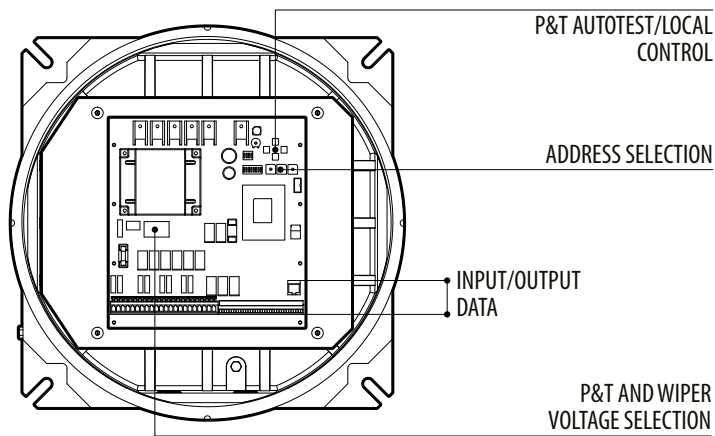
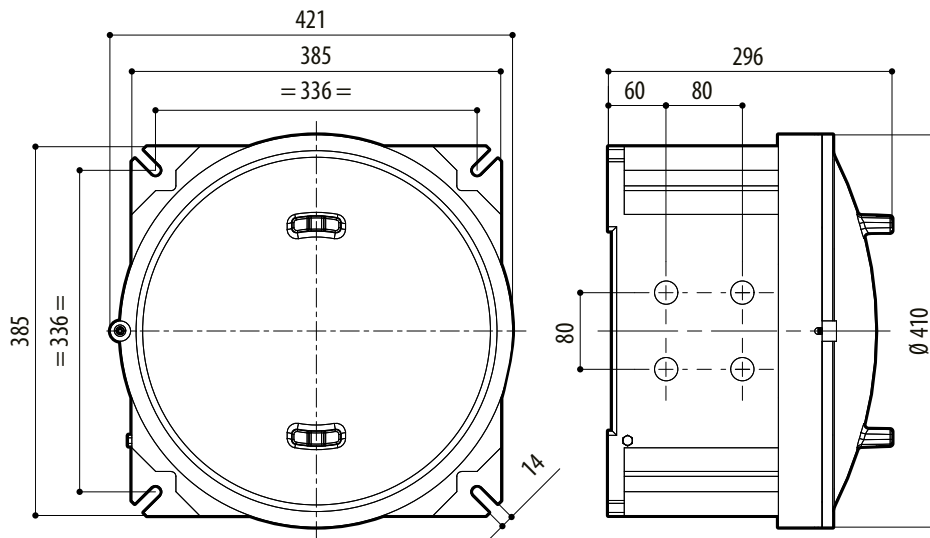
Sizes in millimeters.



EXDTRX3

TECHNICAL DRAWINGS

Sizes in millimeters.



EXDTRX324