

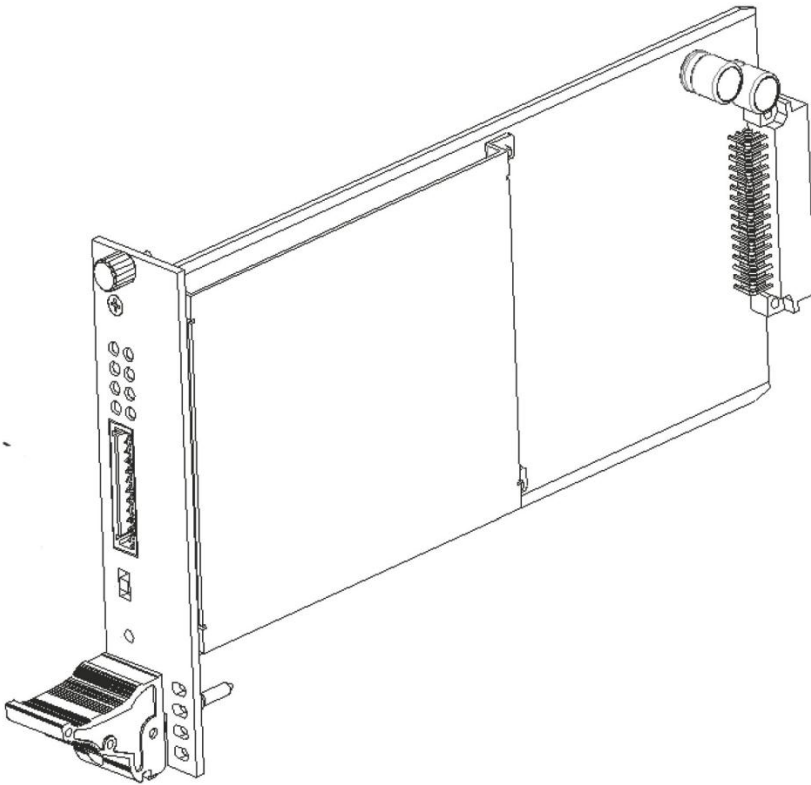
H.264 VIDEO ENCODER

GANZ WITH OXi TECHNOLOGY **PixelPro** SERIES

ZS1-4DB2

| Installation Guide

Before connecting, operating or adjusting this product, read this instruction booklet carefully and completely



Precaution

- Please read this manual carefully before installing the unit.
- Never disassemble the blade. Unauthorized disassembly may cause equipment failure or damage to the unit.
- Please do not install the blade and the rack in a place exposed to an excessive heat source.
- Do not operate the unit in environments beyond the specified temperature. Refer to “**Environment Condition**” on “**APPENDIX (A): SPECIFICATIONS**” in this manual.
- Before mounting the blade, check the power source to ensure that it is within the specifications. Refer to “**Electrical Characteristics**” on “**APPENDIX (A) : SPECIFICATIONS**”

Table of Contents

Precaution.....	2
1. FEATURES.....	4
2. PACKAGE CONTENTS.....	5
3. PART NAMES	6
3.1. Blade.....	6
3.2. Sub-rack.....	7
4. INSTALLATION	8
4.1.Connectors	8
4.2.Ejecting and inserting blades	11
4.2.1. Ejecting a blade	11
4.2.2. Inserting a blade.....	11
5. CONFIGURATION	12
5.1. Set up network environment	12
5.1.1. Generic IP Environment	12
5.1.2. Custom IP Environment.....	13
5.2. View video on web page	14
5.2.1. Access through IPAdmin Tool.....	15
5.3. Reset.....	16
5.4. Factory Default.....	16
APPENDIX (A): SPECIFICATIONS	17
Summary	17
Electrical Characteristics	17
Environment Condition	18
Mechanical Condition	18
APPENDIX (B): DIMENSIONS	19
APPENDIX (D): HEXADECIMAL-DECIMAL CONVERSION TABLE	20
REVISION HISTORY	20

1. FEATURES

Main Feature

- Compatible with 19"/4U Aluminum Sub-Rack chassis, which supports up to 10 units of 4 channel encoder blades
- Identification of each sub-rack, each blade card, and each module unit (for easy and quick maintenance)

Streaming

- Dual streaming mode (such as different codec/resolution/bit rate and so on.)
- De-interlacing on DSP
- Burnt-in text supported
- Unicast/Multicast supported

Video/Audio

- Video compression: H.264/MJPEG, 25/30FPS@D1(PAL/NTSC)
- Audio compression: G.711(μ Law)
- Video Motion Detection supported
- Audio Input/output supported (4/1ch)

Network

- RTSP/ HTTP protocol supported
- 10/100 Base-T Ethernet

Additional Features

- RS-485 supported
- Digital input/output supported
- Built-in Video Content Analysis (For each module)
- SDK (Software Development Kit) provided

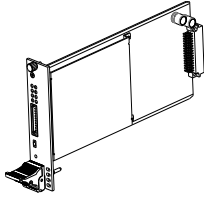
VCA (Video Content Analysis)

- VCA Surveillance (Optional)

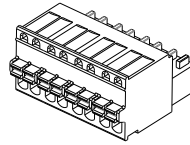
2. PACKAGE CONTENTS

Unpack carefully and handle the equipment with care. The packaging contains:

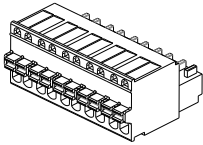
Encoder Blade



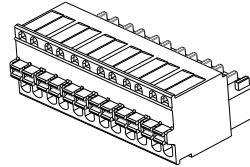
8 Pin terminal block



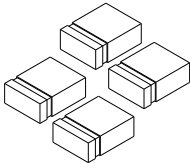
10 Pin terminal block



12 Pin terminal block



Jumper Cap x 4ea

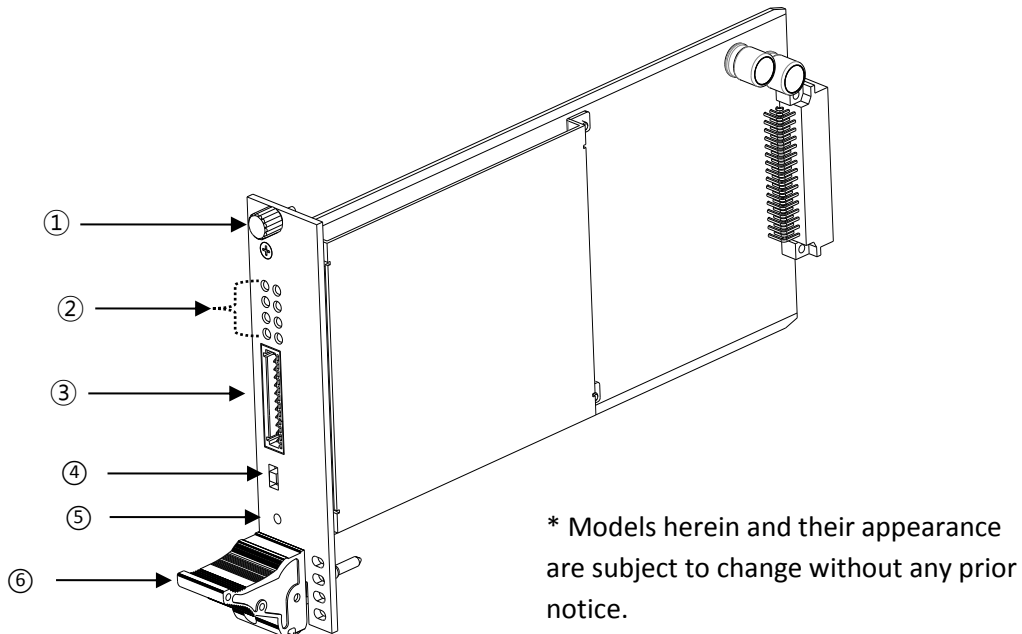


Note

The above contents are subject to change without prior notice.

3. PART NAMES

3.1. Blade



* Models herein and their appearance are subject to change without any prior notice.

① Screw

This is used to fasten the blade to the rack chassis.

② System Status LEDs

The LEDs indicate certain system information.

- **Status:** The LED turns on in orange when the encoder is powered on.
- **Data:** The LED turns on in green when the video signal comes in with a proper connection.

③ 12 pin terminal blocks for D/I, D/O, audio

Refer to the section “4.1. Connectors” for more specific information.

④ Video Input Configuration Switch

This switch enables video input and output to be turned on or off. No video comes in or out with this switch off and only some test patterns will be displayed on the Webpage. You can change the video standard format of the device by moving the switch to NTSC side or PAL side as required. The device needs to be rebooted after moving the switch in order to apply the change.

⑤ Reset

Reboot the device system or reset the device to its Factory default settings. Refer to the section “5.3 Reset” and “5.4 Factory Default” for more specific information.

⑥ Inject/Eject Handle

This is used for removing the blade from the rack.

3.2. Sub-rack

The blade is designed for mounting in the sub rack chassis, which provides power and network connectivity. This blade cannot be used apart from the sub-rack.



19"/4U Sub-Rack Chassis

Specifications of 19"/4U Sub-Rack Chassis

- 19" / 4U Aluminum Sub-Rack
- Support up to 10 units of 4CH encoder blades (Total 40 channels @ D1)
- Hot-swappable encoder blade
- Identification of each Sub-Rack and each blade unit (for easy and quick maintenance)
- Temperature Sensor included
- Detect power supplier unit operation (Self-diagnosing)
- Detect fan unit operation (Self-diagnosing)
- Applied device: 4CH encoder blades for H.264 (10 slot expansion supported model)

4. INSTALLATION

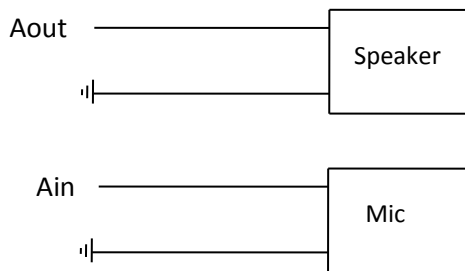
4.1. Connectors

Video connection

Connect the camera to the **video input connectors** on the back panel using 75 ohm video coaxial cables with a BNC connector. Each of the connected video input channel can be looped to other equipments (e.g. CRT monitor) through **external video output connector**.

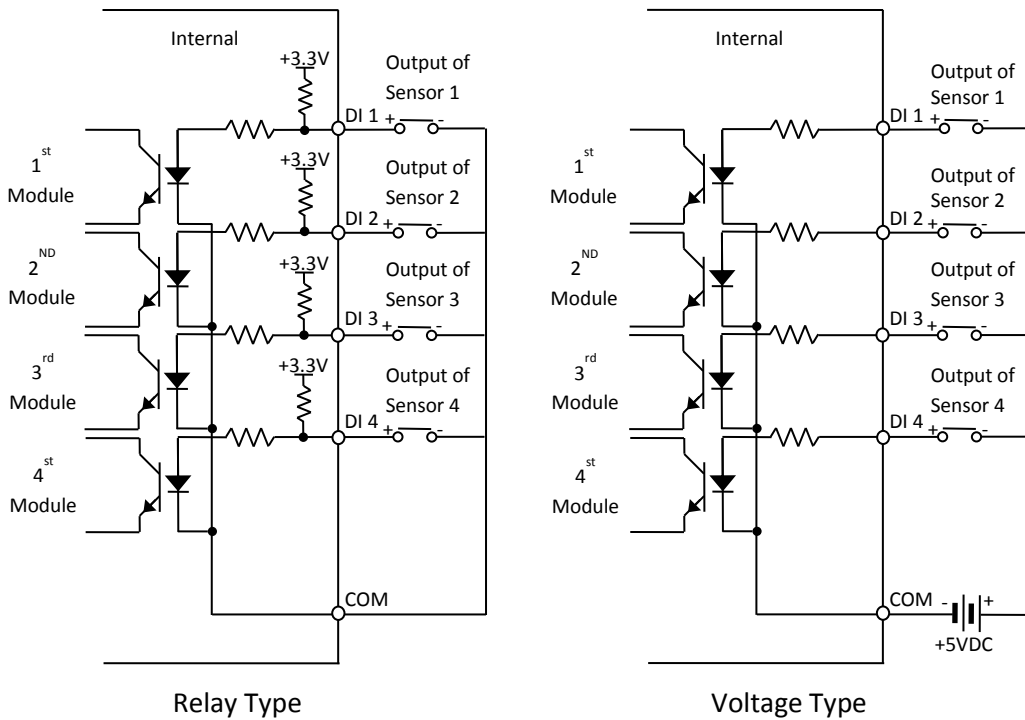
Audio connection

Connect to the audio input device such as a microphone.



Sensor Input (D/I)

There are two sensor interface types – Voltage Type and Relay Type. The interface type can be controlled by the software. Before connecting sensors, check driving voltage and output signal type of the sensor. Since the connection is different according to sensor type, be careful to connect the sensor.



Input voltage range: 0VDC minimum to 5VDC maximum, Max 50mA

Signal	Description
COM	Connect (-) cable of electronic power source for sensors to this port as shown in the circuit above.
D1~D4	Connect output of sensors for each port as shown in the circuit above.

**Caution**

Do not exceed the maximum input voltage or relay rate.
Do not use voltage and relay type sensor together.

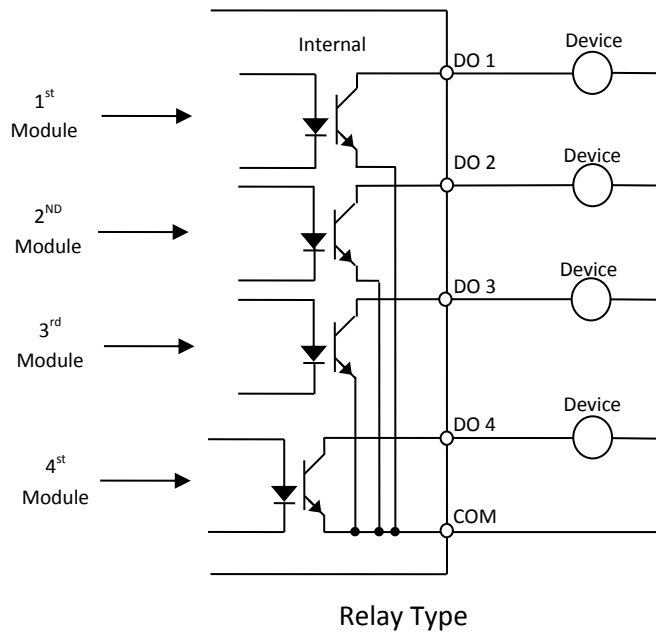
Alarm Output (D/O)

Only the relay type is supported.

Relay Rating: Max 24VDC 50mA

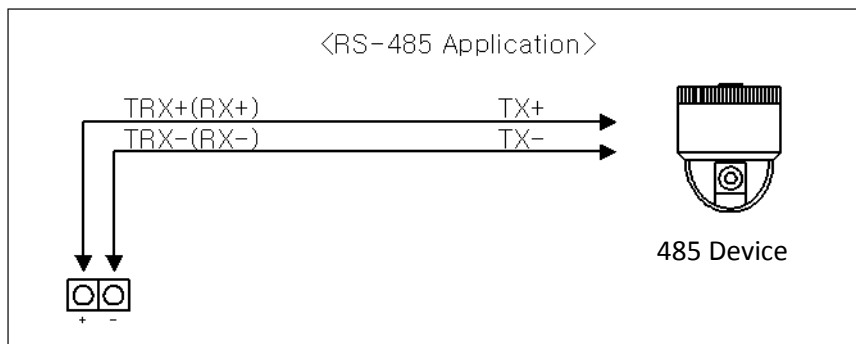
**Caution**

Do not exceed the maximum relay rating.



RS-485

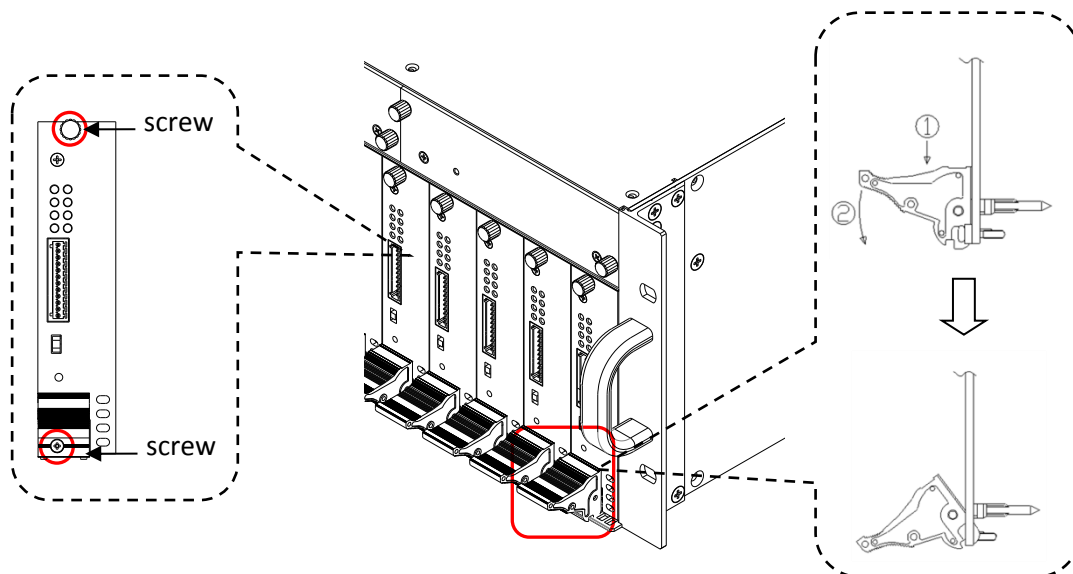
The RS-485 serial port consists of TRX+(RX+) and TRX-(RX-) as following the following image.



RS-485 Connection

4.2. Ejecting and inserting blades

4.2.1. Ejecting a blade



1. Unscrew the screws.
2. Grasp the inject/eject handle of the blade and push it down as shown in above figure.
3. Remove the blade from the rack chassis.

4.2.2. Inserting a blade

1. Make sure that the inject handle is in the outward position.
2. Insert the blade into the rack chassis.
3. Grasp the inject handle of the blade and pull it up.
4. Fasten the screws.

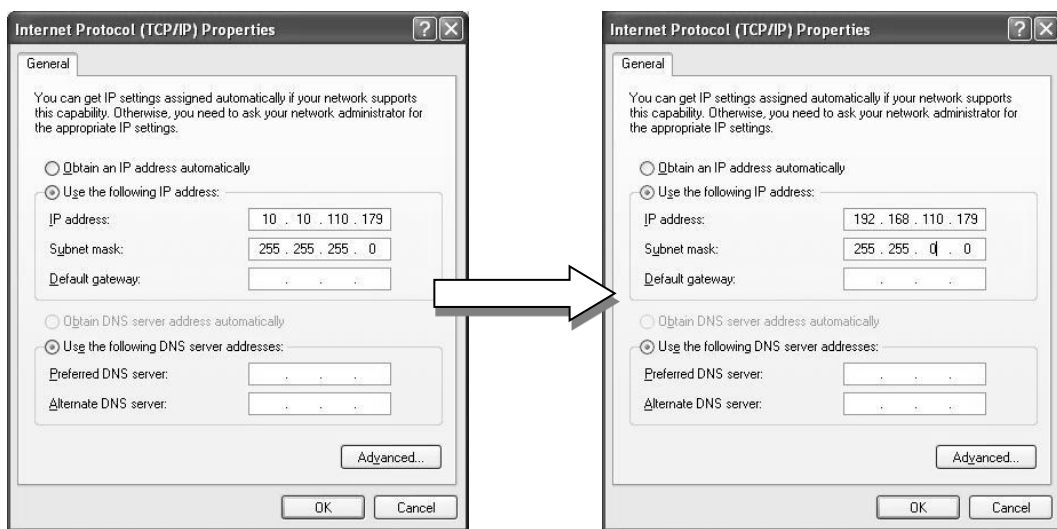
5. CONFIGURATION

5.1. Set up network environment

The default IP address of the device is 192.168.XXX.XXX. Users can identify the IP address of the device from converting the MAC address's hexadecimal numbers, which is attached to the device. Be sure that the device and PC are on a same area network before running the installation.

IP address : **192.168.xxx.xxx**

Subnet mask: **255.255.0.0**

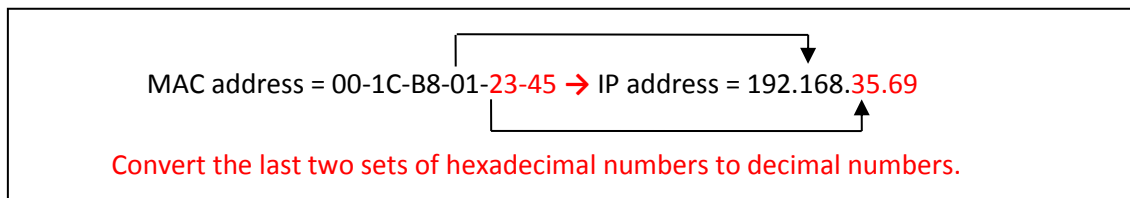


5.1.1. Generic IP Environment

In case of generic private network environment where IP address 192.168.XXX.XXX are used, users may view the live streaming images on a web page using the device's default IP address:

1. Convert the device's MAC address to the IP address. Refer to the Hexadecimal-Decimal Conversion Chart at the end of the manual.

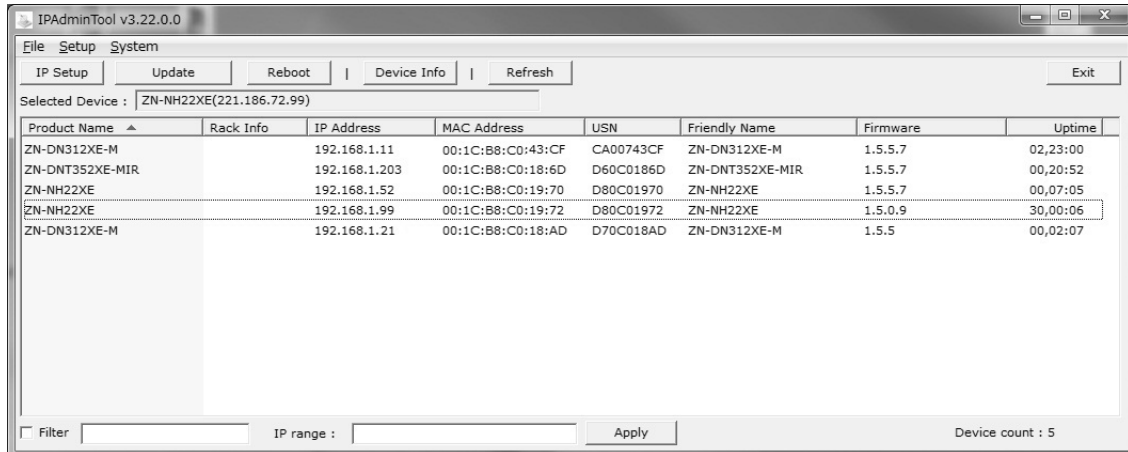
(The MAC address of the device is attached on the side or bottom of the device.)



2. Start the Microsoft® Internet Explorer web browser and enter the address of the device.
3. Web streaming and device configurations are supported through ActiveX program. When the ActiveX installation window appears, authorize and install the ActiveX.

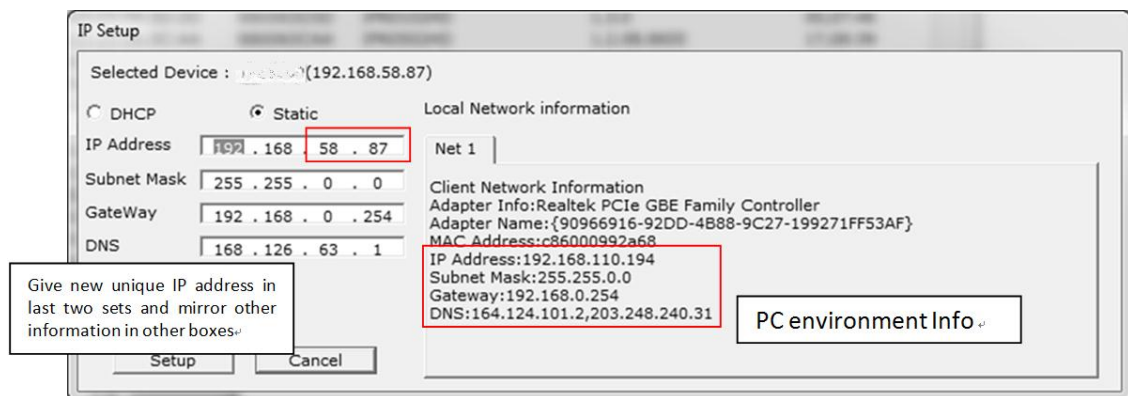
5.1.2. Custom IP Environment

IPAdminTool is a management tool, which automatically scans all of the network products for users to perform administrative tasks, which includes network configurations, firmware update, device reboot, and device organizations.



To modify the device's default IP address for customized network area;

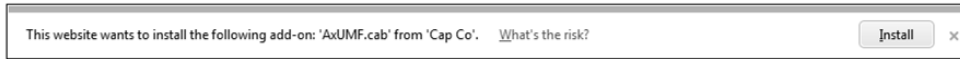
1. Find the device from the IPAdminTool's list and highlight the device's name.
2. Right-click the mouse and select "IP Address"; IP Setup window appears.



3. In the IP Setup's window, information under 'Local Network information' displays the user/PC's network area information. Those information need to be incorporated to the IP Address, Subnet Mask, Gateway, and DNS boxes, except the last 2 sets of IP Address, which are to be the unique numbers for the device. Refer to the image above for the setting
4. Click 'Setup' to complete the modification.

5.2. View video on web page

Once the device's proper IP address has been identified, type the URL in a web browser to access the camera. At first time access, installation window may pop up.



1. When the browser asks to install the AxUMF software, click Install to proceed.



2. When Setup installation pop-up window appears, click install to proceed with rest of installations.



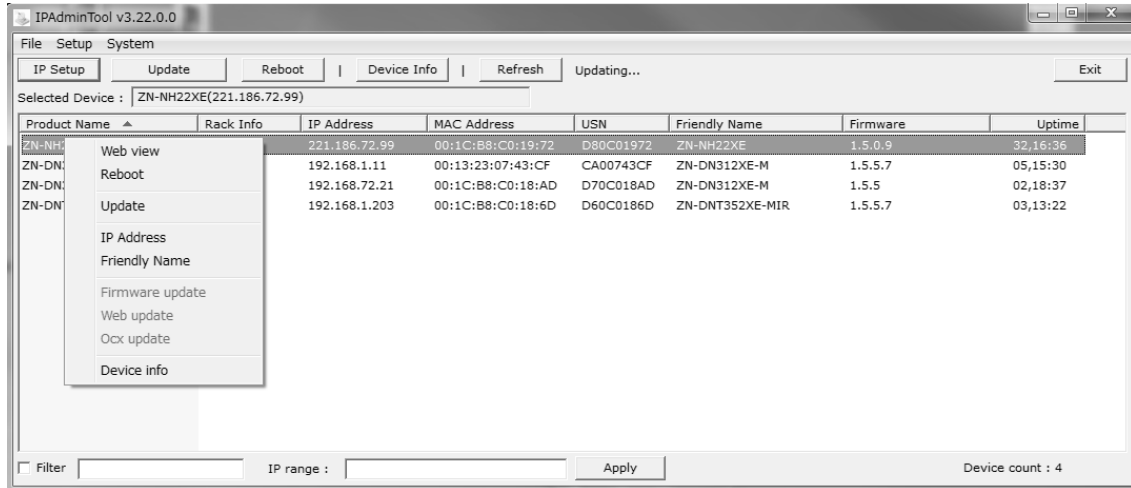
Note

Depends on system OS and Internet Explorer version, Installation experience may differ from one another. Figures described above are from Windows 7, Internet Explorer 9 environment.

5.2.1. Access through IPAdmin Tool

IPAdminTool automatically searches all activated network encoders and IP cameras and shows the product name, IP address, MAC address and etc.

1. From the IPAdminTool's product list, select the device by highlighting it.
2. Right-click the mouse and select **web-view**



3. The system's default web browser opens the device's address.



Whether directly accessing the streaming video through typing IP address on a web page or taking steps through IPAdminTool, the ActiveX is needed to be installed for the Microsoft® Internet Explorer to have the complete configuration privileges.

5.3. Reset

1. While the device is in use, press the Reset button.
2. Wait for the system to reboot.

5.4. Factory Default

1. Press reset button and hold.
2. Release the Reset button after 5 seconds until LED blinks.
3. Wait for the system to reboot.

The factory default settings can be inferred as follows:

IP address:	192.168.xx.yy
Network mask:	255.255.0.0
Gateway:	192.168.0.1
User ID:	root
Password:	pass

APPENDIX (A): SPECIFICATIONS

Summary

Video	
Input	4 channel
Output	-
Compression Format	H.264, MJPEG Selectable per Stream
Number of Streams	Dual Stream for each channel, Configurable
Resolution	D1, 4CIF, 2CIF, VGA, CIF, QCIF, QVGA
Compression FPS	25/30 fps@D1 (PAL/NTSC)
Deinterlacing	Support (DSP)
Motion Detection	Support (DSP)
Burnt-in Text (Digital)	Support (DSP)
Audio	
Input/output	4 channel / 1 channel(Mixed out)
Compression Format	G.711(uLow)
Function	
Digital Input/output	4 channel / 4 channel
RS-485	4 channel
RS-232	-
Network	10/100 Base-T
Power Over Ethernet	-
Protocol	QoS Layer 3 DiffServ, TCP/IP, UDP/IP, HTTP, HTTPS, RTSP, RTCP, RTP/UDP, RTP/TCP, mDNS, UPnP™, SMTP, DHCP, DNS, DynDNS, NTP, SNMPv1/v2c/v3(MIB-II), IGMP, ICMP, SSLv2/v3, TLSv1
SD/SDHC Memory slot	-

Electrical Characteristics

Video Input	1Vp-p, 75Ω
Video Output	1Vp-p, 75Ω
Audio Input	Mic-in, 0.178Vp-p, 10KΩ
Audio Output	Lineout, 2.26Vp-p, 10KΩ
Sensor(D/I)	Max 50mA@5VDC
Alarm(D/O)	Max 50mA@24VDC On-state resistance: 50 Ω (max continuous)
Power Source	12VDC
Power Consumption	9W

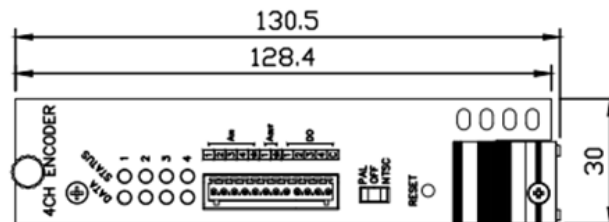
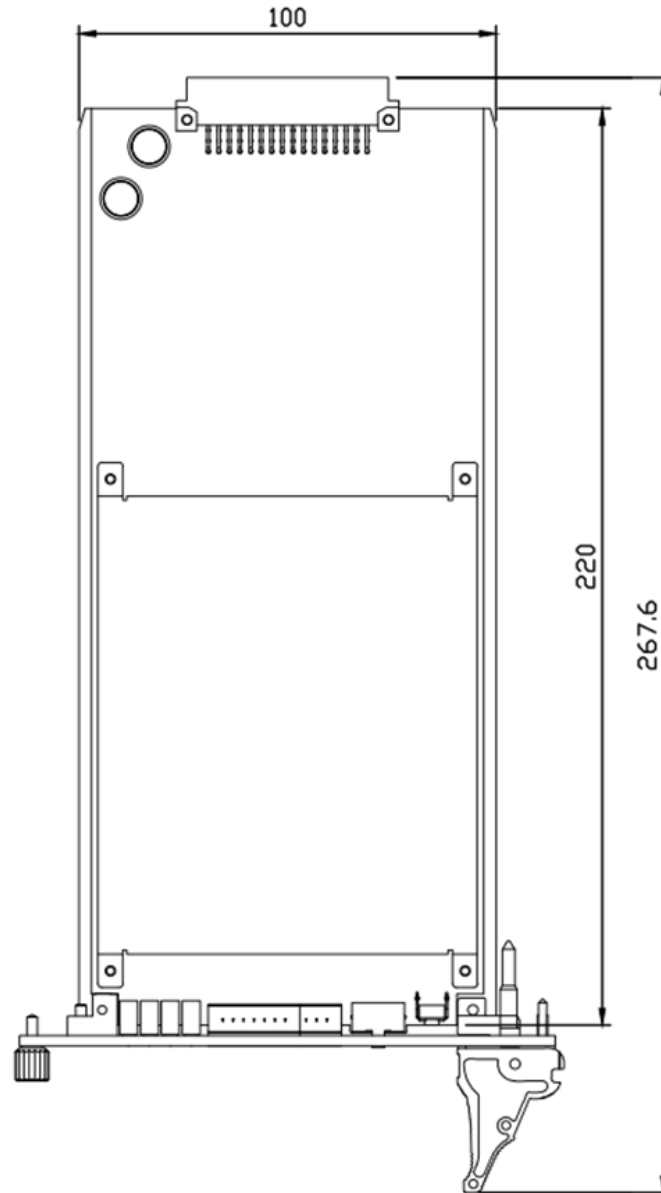
Environment Condition

Operating Temperature	0 °C ~ 50 °C (32°F ~ 122 °F)
Operating Humidity	Up to 85% RH

Mechanical Condition

Dimension	268(W) x 128(H) mm
Weight (Approx)	240g

APPENDIX (B): DIMENSIONS



(Unit: mm)

APPENDIX (D): HEXADECIMAL-DECIMAL CONVERSION TABLE

Refer to the following table when you convert the MAC address of your device to IP address.

Hex	Dec	Hex	Dec	Hex	Dec	Hex	Dec	Hex	Dec	Hex	Dec	Hex	Dec
00	0	25	37	4A	74	6F	111	94	148	B9	185	DE	222
01	1	26	38	4B	75	70	112	95	149	BA	186	DF	223
02	2	27	39	4C	76	71	113	96	150	BB	187	E0	224
03	3	28	40	4D	77	72	114	97	151	BC	188	E1	225
04	4	29	41	4E	78	73	115	98	152	BD	189	E2	226
05	5	2A	42	4F	79	74	116	99	153	BE	190	E3	227
06	6	2B	43	50	80	75	117	9A	154	BF	191	E4	228
07	7	2C	44	51	81	76	118	9B	155	C0	192	E5	229
08	8	2D	45	52	82	77	119	9C	156	C1	193	E6	230
09	9	2E	46	53	83	78	120	9D	157	C2	194	E7	231
0A	10	2F	47	54	84	79	121	9E	158	C3	195	E8	232
0B	11	30	48	55	85	7A	122	9F	159	C4	196	E9	233
0C	12	31	49	56	86	7B	123	A0	160	C5	197	EA	234
0D	13	32	50	57	87	7C	124	A1	161	C6	198	EB	235
0E	14	33	51	58	88	7D	125	A2	162	C7	199	EC	236
0F	15	34	52	59	89	7E	126	A3	163	C8	200	ED	237
10	16	35	53	5A	90	7F	127	A4	164	C9	201	EE	238
11	17	36	54	5B	91	80	128	A5	165	CA	202	EF	239
12	18	37	55	5C	92	81	129	A6	166	CB	203	F0	240
13	19	38	56	5D	93	82	130	A7	167	CC	204	F1	241
14	20	39	57	5E	94	83	131	A8	168	CD	205	F2	242
15	21	3A	58	5F	95	84	132	A9	169	CE	206	F3	243
16	22	3B	59	60	96	85	133	AA	170	CF	207	F4	244
17	23	3C	60	61	97	86	134	AB	171	D0	208	F5	245
18	24	3D	61	62	98	87	135	AC	172	D1	209	F6	246
19	25	3E	62	63	99	88	136	AD	173	D2	210	F7	247
1A	26	3F	63	64	100	89	137	AE	174	D3	211	F8	248
1B	27	40	64	65	101	8A	138	AF	175	D4	212	F9	249
1C	28	41	65	66	102	8B	139	B0	176	D5	213	FA	250
1D	29	42	66	67	103	8C	140	B1	177	D6	214	FB	251
1E	30	43	67	68	104	8D	141	B2	178	D7	215	FC	252
1F	31	44	68	69	105	8E	142	B3	179	D8	216	FD	253
20	32	45	69	6A	106	8F	143	B4	180	D9	217	FE	254
21	33	46	70	6B	107	90	144	B5	181	DA	218	FF	255
22	34	47	71	6C	108	91	145	B6	182	DB	219		
23	35	48	72	6D	109	92	146	B7	183	DC	220		
24	36	49	73	6E	110	93	147	B8	184	DD	221		

REVISION HISTORY

MAN#	DATE(M/D/Y)	Comments
01A.01	07/12/2013	Created
03-2014-A	03/26/2013	Minor modification
09-2014-A	09/04/2013	Correct explanation for VCA license