
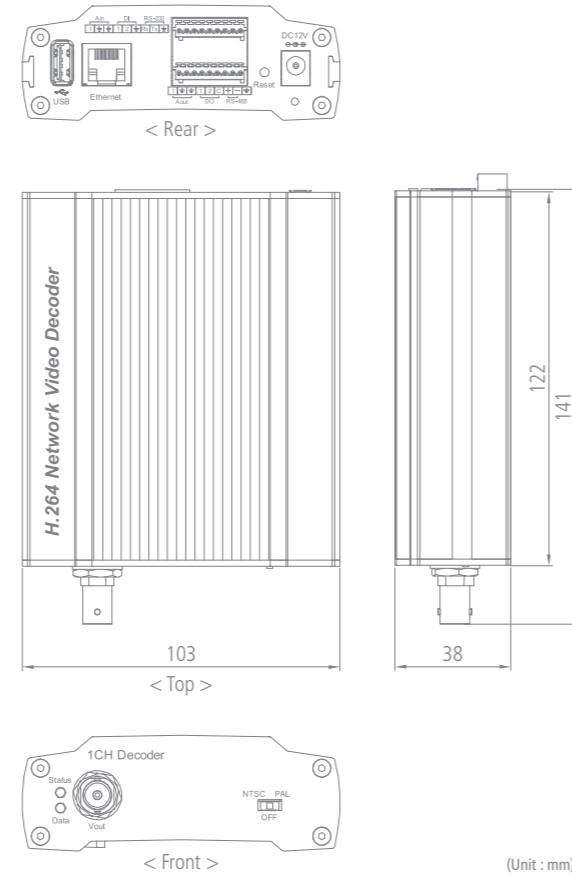


SPECIFICATION

MODEL		ZN-R1000E	
			
Video	Output	1 BNC Connector (NTSC / PAL)	
	Video Display	Single view up to D1 resolution, Quad View in CIF resolution	
	Decompression Format	H.264, MPEG-4, MJPEG	
	Resolution	720×480/576 (D1), 352×240/288 (CIF)	
	Decompression FPS	25/30 fps @ D1, 100/120 fps @ CIF	
	OSD Configuration	Display Network setup screen, Display Connection Information	
Audio	Input	1 channel	
	Output	1 channel	
	Compression Format	G.711	
Function	Digital Input	2	
	Digital Output	2	
	Serial port	RS-485, RS232C	
	Network	10 / 100 Base-T	
	Protocol	TCP/IP, UDP/IP, HTTP, RTSP, RTP/UDP, RTP/TCP, SNMP, mDNS, UPnP, SMTP, SOCK, IGMP, DHCP, DDNS, SSL v2/v3, IEEE 802.1X, SSH	
	USB 2.0	Support for USB mouse	
	Electrical	Power Source	12VDC
		Power over Ethernet	Support (IEEE 802.3af)
		Power Consumption (Approx)	3.6W @ 12VDC
	Environmental	Operating Temperature (Not include cold start)	0 °C ~ 60 °C (32 °F ~ 140 °F)
Operating Humidity		Up to 85% RH, Non-condensing	
Mechanical	Dimension	103(W) x 38(H) x 141(D) mm / 4.1" x 1.5" x 5.6"	
	Weight (Approx)	385g	

DIMENSIONS



GANZ IP SPECIFICATIONS

**PixelPro GXi Network Encoder
Encoder Series**



GANZ
PixelPro

Features:

- H.264 Full Frame at D1
- Video Compression: H.264, MPEG-4, MJPEG
- Deinterlacing on DSP
- Audio Compression: G.711
- Burnt-in Text, Video Motion Detection Support
- Comprehensive SDK Support

*Exact products and specifications shown may vary by geographic and subject to change without notice. Actual products may differ from the images appearing in the specification sheet.



CBC Co.,Ltd.
TOKYO Head Office Image and Information Technology Division
Ganz Global Brand Center

<http://www.ganz-global.com/>

UPDATE: Oct. 2014

CBC Co.,Ltd.
Ganz Global Brand Center

SPECIFICATION

MODEL		ZN-S110VE	ZN-S1000VE	ZS1-1DS
Video	Input	1 channel		
	Output	1 Loop Out		
	Compression Format	H.264, MPEG-4, MJPEG		H.264, MJPEG Selectable per Stream
	Number of Streams	Dual Stream, Configurable		
	Resolution	720x480/576(D1), 704x480/576(4CIF), 704x240/288(2CIF), 640x480(VGA), 352x240/288(CIF), 320x240(QVGA), 176x120/144(QCIF)		720x480/576(D1), 704x480/576(4CIF), 640x480(VGA), 352x240/288(CIF), 320x240(QVGA), 176x120/144(QCIF)
	Frame Rate	25/30fps @ D1 (PAL/NTSC), VCA ; Off		
	Deinterlacing	Supported		
	Motion Detection	Supported		
Text Overlay	Supported			
Audio	Input	1 channel		
	Output	1 channel		
	Compression Format	G.711		
Function	DI	2 channel		
	DO	2 channel		
	Serial Port	RS-485 Only	RS-232C, RS-485	RS-485 Only
	Network	10 / 100 Base-T		
	Protocol	TCP/IP, UDP/IP, HTTP, RTSP, RTCP, RTP/UDP, RTP/TCP, SNTP, mDNS, UPnP, SMTP, IGMP, DHCP, DDNS, SSL v2/v3, IEEE 802.1X, SNMP v2/v3		QoS Layer 3 DiffServ, TCP/IP, UDP/IP, HTTP, RTSP, RTCP, RTP/UDP, RTP/TCP, mDNS, UPnP™, SMTP, DHCP, DNS, DynDNS, NTP, FTP, SNMPv1/v2c/v3(MIB-II), IGMP, ICMP, SSLv2/v3, TLSv1
	USB 2.0	-	Supported	-
	SD Memory Card Slot	-	Supported	
	Electrical	Power Source	12VDC	12VDC, PoE
Power Over Ethernet		-	Supported (IEEE 802.3af)	
Power Consumption (Approx)		2.9W @ 12VDC		2.8W @ 12VDC
Environmental	Operating Temperature (Not include cold start)	-20 °C ~ 60 °C (-4 °F ~ 140 °F)		0°C ~ 50°C (32 °F ~ 122 °F)
	Operating Humidity	Up to 85% RH (Non-condensing)		
Mechanical	Dimensions	103(W) x 38(H) x 141(D) mm 4.1" x 1.5" x 5.6"		
	Weight (Approx)	385 g		430 g
Certifications		CE/FCC		
Onvif		-		Supported
Video Content Analytics		Included ZNS-PRES**		Optional

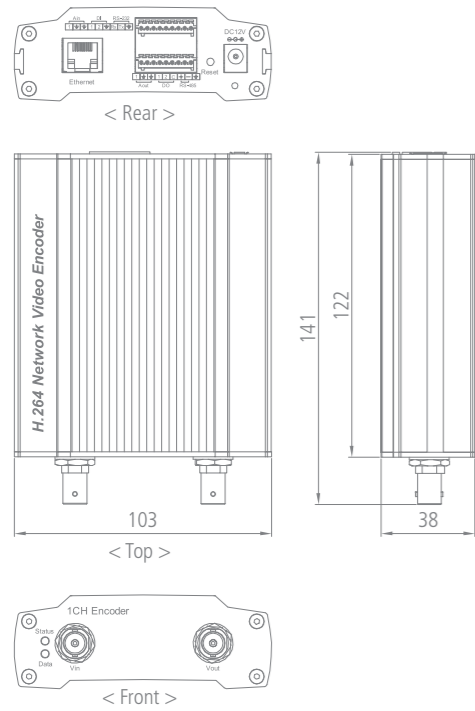
MODEL		ZS1-4DS	ZN-S4000VE	ZN-S4000VEL
Video	Input	4 channel		
	Output	-	1 Loop Out	
	Compression Format	H.264, MJPEG Selectable per Stream	H.264, MPEG-4, MJPEG	
	Number of Streams	Dual Stream, Configurable		Single Stream
	Resolution	720x480/576(D1), 704x480/576(4CIF), 640x480(VGA), 352x240/288(CIF), 320x240(QVGA), 176x120/144(QCIF)	720x480/576(D1), 704x480/576(4CIF), 704x240/288(2CIF), 640x480(VGA), 352x240/288(CIF), 320x240(QVGA), 176x120/144(QCIF)	
	Frame Rate	25/30fps @ D1 (PAL/NTSC), VCA ; Off		
	Deinterlacing	Supported		
	Motion Detection	Supported		
Text Overlay	Supported			
Audio	Input	4 channel		2 channel
	Output	1 channel	4 channel	1 channel
	Compression Format	G.711		
Function	DI	4 channel		
	DO	4 channel		
	Serial Port	RS-485 Only	RS-232C, RS-485 (First channel only)	RS-232C, RS-485
	Network	10 / 100 Base-T		100 Base-T
	Protocol	QoS Layer 3 DiffServ, TCP/IP, UDP/IP, HTTP, RTSP, RTCP, RTP/UDP, RTP/TCP, mDNS, UPnP™, SMTP, DHCP, DNS, DynDNS, NTP, FTP, SNMPv1/v2c/v3(MIB-II), IGMP, ICMP, SSLv2/v3, TLSv1	TCP/IP, UDP/IP, HTTP, RTSP, RTCP, RTP/UDP, RTP/TCP, SNTP, mDNS, UPnP, SMTP, IGMP, DHCP, DDNS, SSL v2/v3, IEEE 802.1X, SNMP v2/v3	TCP/IP, UDP/IP, HTTP, RTSP, RTCP, RTP/UDP, RTP/TCP, SNTP, mDNS, UPnP, SMTP, IGMP, DHCP, FTP, DDNS, SSL v2/v3, IEEE 802.1X, SNMP v2/v3
	USB 2.0	-	Supported(First channel only)	-
	SD Memory Card Slot	Supported*	-	
	Electrical	Power Source	12VDC	
Power Over Ethernet		-		Supported (IEEE 802.3af)
Power Consumption (Approx)		8.8W @ 12VDC	13.2W @ 12VDC	6.6W @ 12VDC
Environmental	Operating Temperature (Not include cold start)	0°C ~ 50°C (32 °F ~ 122 °F)	-20 °C ~ 60 °C (-4 °F ~ 140 °F)	12VDC: -10 °C ~ 50 °C (14 °F ~ 122 °F) PoE: -10 °C ~ 45 °C (14 °F ~ 113 °F)
	Operating Humidity	Up to 85% RH (Non-condensing)		
Mechanical	Dimensions (Panel)	137(W) x 38(H) x 244(D) mm 5.4" x 1.5" x 9.6"	137(W) x 38(H) x 184(D) mm 5.4" x 1.5" x 7.2"	
	Weight (Approx)	920 g	780 g	700 g
Certifications		CE/FCC		
Onvif		Supported	-	
Video Content Analytics		Optional	Included ZNS-PRES**	-

* Pre-installation is required by CBC local branches or authorised installer.

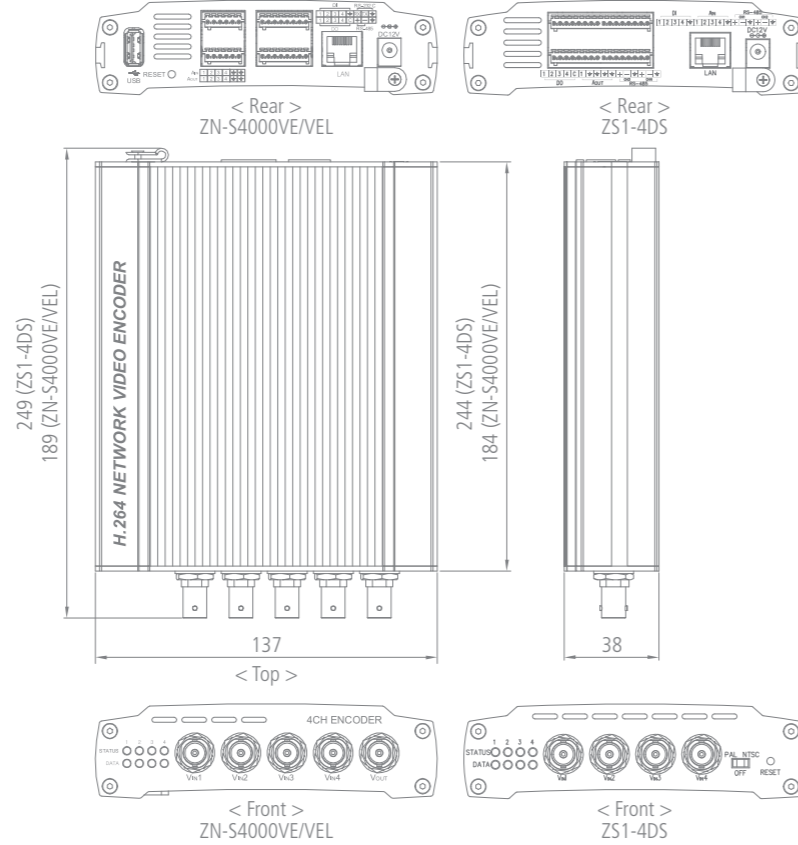
** Refer to "GX Series VCA License Lists" on ganz-global.com

DIMENSIONS

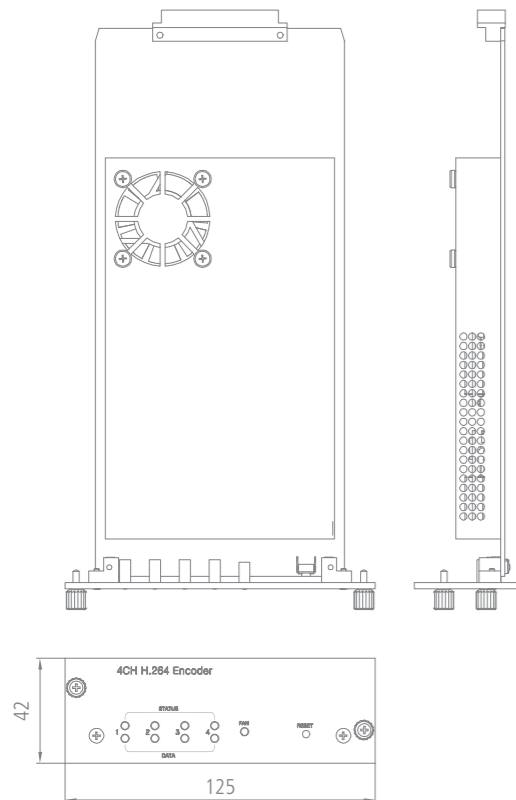
ZN-S110VE / ZS1-1DS / ZN-S1000VE



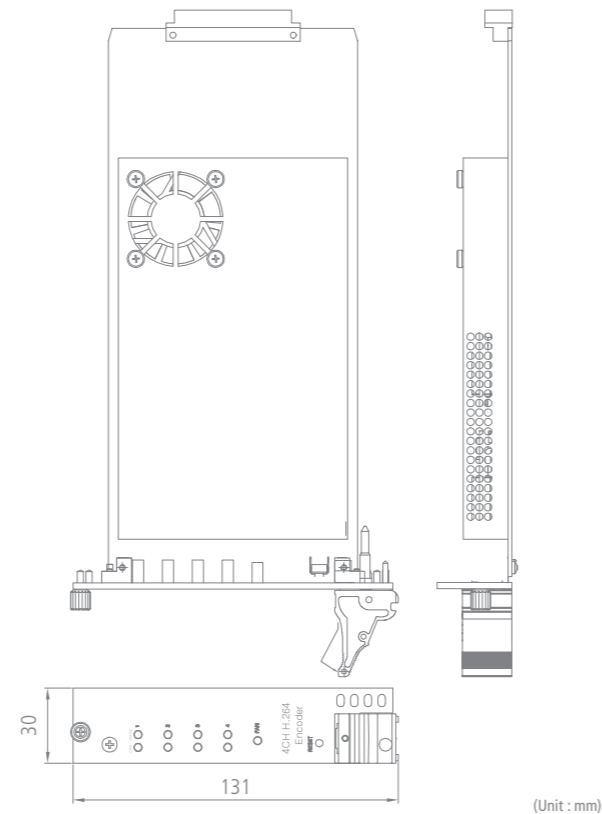
ZS1-4DS / ZN-S4000VE/VEL



ZS1-4DB1 / ZN-RS4012VE/VEL



ZS1-4DB2 / ZN-RS4040VE/VEL

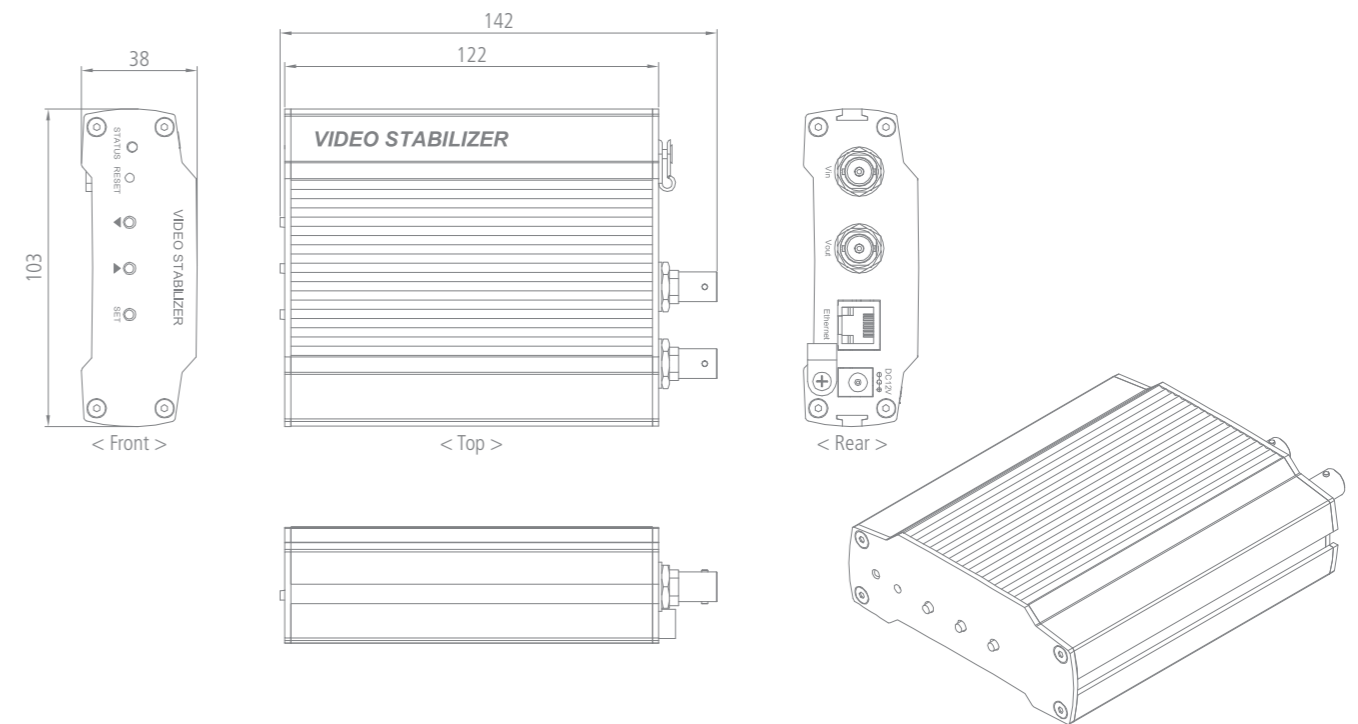


(Unit : mm)

SPECIFICATION

MODEL	ZS-STB1000	
Stabilization	Stabilization Tracking Rate	Approx ±3,000 pixels / sec
	Stabilization Range	±256 pixel
	Stabilization Frequency	0.1 - 30Hz
	Video Delay	< 80ms
	Stabilization	X-Y Movement at Sub-pixel Accuracy
	Automatic Algorithm	Locks-on to Background Features Ignores Moving Objects and Burnt-in Text
Video	Lock-on Time	< 80ms From Change of Image
	Input	Composite
	Output	BNC Connector
	Video Standards	PAL / NTSC Selectable
Function	D1 Resolution Digitization	720 x 576 (PAL) / 720 x 480 (NTSC)
	Network	10 / 100 Base-T (For Remote Set up)
Electrical	Power Source	12VDC
	Power Consumption (Approx)	3.1W @ 12VDC
Environmental	Operating Temperature (Not include cold start)	-20 °C ~ 60 °C (-4 °F ~ 122 °F)
	Operating Humidity	Up to 85% RH (Non-condensing)
Mechanical	Dimension	103(W) x 38(H) x 142(D) mm / 4.1" x 1.5" x 5.6"
	Weight (Approx)	430 g

DIMENSIONS

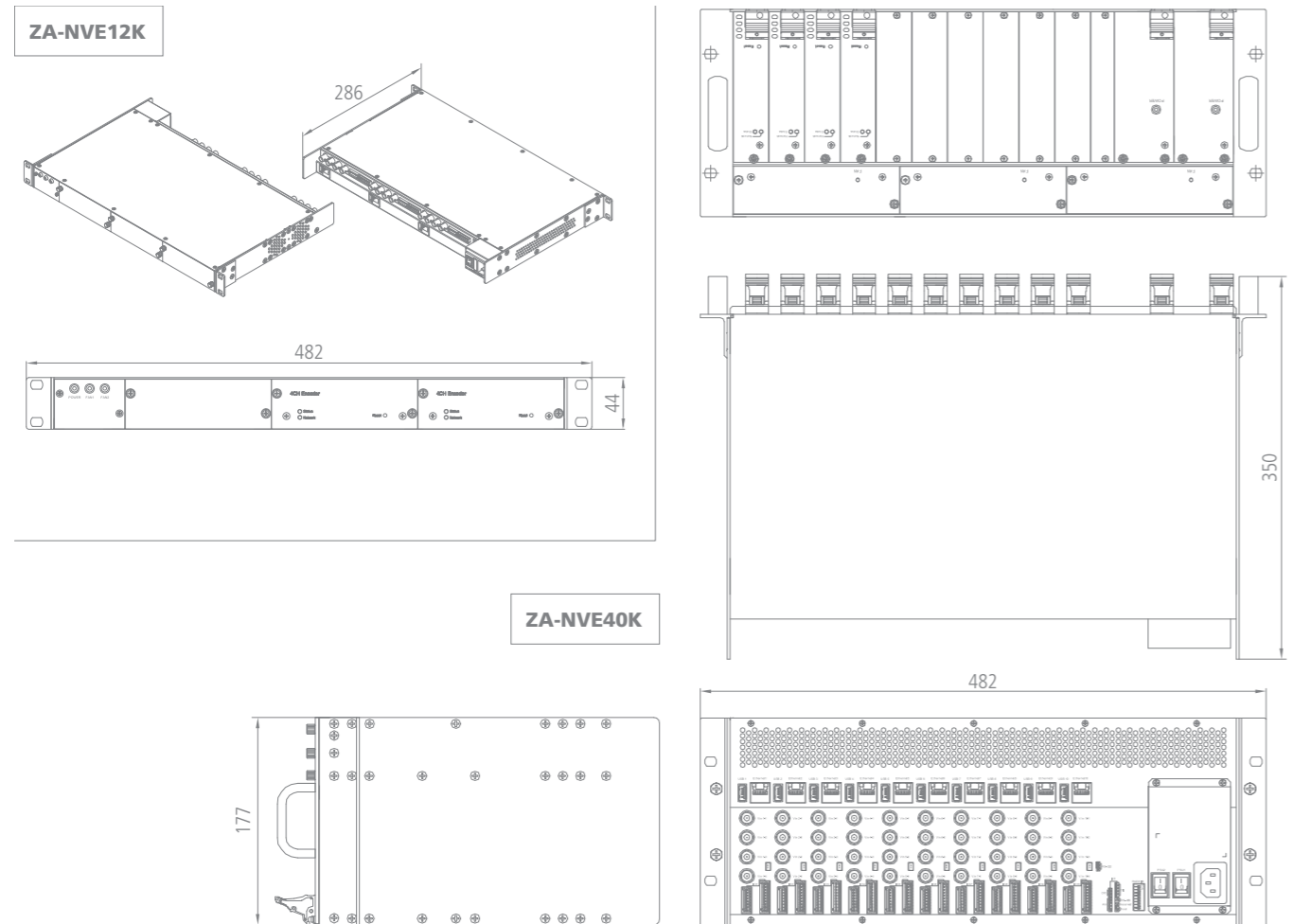


(Unit : mm)

SPECIFICATION

MODEL	ZA-NVE12K	ZA-NVE40K
Rack Construction	Aluminum 19" / 1U Sub-Rack	Aluminum 19" / 4U Sub-Rack
Available Slots	3 (Hot Swappable Blades)	10 (Hot Swappable Blades)
Power Source	85~264 V AC, 47~63 Hz, 2A	90~264 V AC, 47~63 Hz, 2A
Fan Unit	4,500 rpm x 2	1,800 rpm x 3 (Hot Swappable)
Operating Temperature (Not include cold start)	0 °C ~ 60 °C (32 °F ~ 140 °F)	
Humidity	Up to 85% RH	
Dimension	482(W) x 44(H) x 286(D) mm / 19.0" x 1.7" x 11.3"	482(W) x 177(H) x 350(D) mm / 19.0" x 7.0" x 13.8"
Weight	1.8 kg + 240 g (ZS1-4DB1) x 3	6.9 kg + 240 g (ZS1-4DB2) x 10
Power Consumption	Typically 55W Fully Loaded Rack	Typically 140W Fully Loaded Rack
Supported Blades	ZS1-4DB1 / ZN-RS4012VE / (ZN-RS4012VEL) (for 12 channel Rack)	ZS1-4DB2 / ZN-RS4040VE / (ZN-RS4040VEL) (for 40 channel Rack)

DIMENSIONS



(Unit : mm)

MODEL	ZS1-4DB1	ZS1-4DB2	ZN-RS4012VE/VEL***	ZN-RS4040VE/VEL***
Video	Input	4 channel		
	Output	-		
	Compression Format	H.264, MJPEG Selectable per Stream		H.264, MJPEG (Snapshot); (VEL) H.264, MPEG-4, MJPEG (Snapshot); (VE)
	Number of Streams	Dual Stream, Configurable		Single Stream (VEL), Dual Stream (VE)
	Resolution	720x480/576(D1), 704x480/576(4CIF), 640x480(VGA), 352x240/288(CIF), 320x240(QVGA), 176x120/144(QCIF)		720x480/576(D1), 704x480/576(4CIF), 704x240/288(2CIF), 640x480(VGA), 352x240/288(CIF), 320x240(QVGA), 176x120/144(QCIF)
	Frame Rate	25/30fps @ D1 (PAL/NTSC), VCA ; Off		
	Deinterlacing	Supported		
	Motion Detection	Supported		
Text Overlay	Supported			
Audio	Input	4 channel	2 channel (VEL), 4 channel (VE)	
	Output	1 channel		
	Compression Format	G.711		
Function	DI	4 channel	2 channel (VEL), 4 channel (VE)	
	DO	4 channel	2 channel	
	Serial Port	RS-485(4 port)		RS-485, RS232C
	Network	10 / 100 Base-T		
	Protocol	QoS Layer 3 DiffServ, TCP/IP, UDP/IP, HTTP, RTSP, RTPC, RTP/UDP, RTP/TCP, mDNS, UPnP™, SMTP, DHCP, DNS, DynDNS, NTP, FTP, SNMPv1/v2c/v3(MIB-II), IGMP, ICMP, SSLv2/v3, TLSv1		TCP/IP, UDP/IP, HTTP, RTSP, RTPC, RTP/UDP, RTP/TCP, SNTP, mDNS, UPnP, SMTP, IGMP, DHCP, DDNS, FTP, SSL v2/v3, IEEE 802.1X, SNMP v2/v3
	USB 2.0	-		Supported (First channel only); (VE)
	SD Memory Card Slot	-		
	Electrical	Power Source	12VDC (From Power Supplier Unit)	
Power Over Ethernet		-		
Power Consumption (Approx)		8.8W @ 12VDC	10.1W @ 12VDC	6.4W @ 12VDC (VEL) 14.4W @ 12VDC (VE)
Environmental	Operating Temperature (Not include cold start)	0°C ~ 50°C (32 °F ~ 122 °F)		-10 °C ~ 50 °C (14 °F ~ 122 °F); (VEL) -20 °C ~ 60 °C (-4 °F ~ 140 °F); (VE)
	Operating Humidity	Up to 85% RH (Non-condensing)		
Mechanical	Dimensions (Panel)	125(W) x 42(H) mm 4.9" x 1.7"	131(W) x 30(H) mm 5.2" x 1.2"	125(W) x 42(H) mm 4.9" x 1.7"
	Weight (Approx)	240 g		220 g (VEL), 370 g (VE)
Certifications	CE/FCC			
Onvif	Supported		-	
Video Content Analytics	Optional		Included ZNS-PRES** (VE)	

* Pre-installation is required by CBC local branches or authorised installer.

** Refer to "GX Series VCA License Lists" on ganz-global.com

*** ZN-RS4012VEL / ZN-RS4040VEL ; Discontinued