

Mini-GBIC (SFP)

1.25Gbps, 10/100/1000BASE-T Copper SFP Transceiver

- Distance: 100m
- Standard Operating Temperature: -10°C ~ 70°C
- Wide Operating Temperature: -40°C ~ 85°C



OVERVIEW

Lantech 1.25Gbps Small Form Factor Pluggable (SFP) transceiver module is specifically designed for the high performance integrated full duplex data link at 1.25Gbps over four pair Category 5 UTP. The transceiver module is compliant with the SFP MultiSource Agreement (MSA) and IEEE802.3:2002. With the hot pluggability, the module offers a flexible and easy way to be installed into SFP MSA compliant

ports at any time without the interruption of the host equipments operating online.

The 10/100/1000BASE-T electrical SFP transceivers use an integrated RJ-45 connector with transformer and PHY IC. The link length is up to 100m over four pair Category 5 UTP cabling

FEATURES & BENEFITS

- Small Form Factor Pluggable (SFP) MSA Compliant
- Compatible with IEEE 802.3:2002
- 10/100/1000BASE-T operation in host system with SGMII interface
- Link length up to 100m at 1.25Gbps with four pair Category 5 UTP cabling
- Auto-detect MDI/MDI-X
- Internal PHY IC is configurable by host system via I²C interface
- Single 3.3V power supply operation and low power dissipation

SPECIFICATION

Absolute Maximum Ratings

Parameter	Symbol	Min.	Max.	Unit	Note
Storage Temperature	T _s	-40	+85	°C	1
Supply Voltage	V _{cc}	-0.5	3.6	V	
Storage Relative Humidity	RH	5	95	%	

Notes: 1. Ambient Temperature

Recommended Operating Conditions

Parameter	Symbol	Min.	Typ.	Max.	Unit	Note
Case Operating Temperature	T _c	-10 / -40		70 / 85	°C	1
Supply Voltage	V _{cc}	3.15	3.3	3.45	V	
Supply Current	I _{tx} + I _{rx}		300	350	mA	

Notes: 1. Case Temperature, Standard Operating Temperature / Wide Operating Temperature (-E model)

General Specifications

Parameter	Symbol	Min.	Typ.	Max.	Unit	Note
Data Rate	DR	10		1000	Mb/sec	1
Bit Error Rate	BER			10 ⁻¹⁰		2

High-Speed Electrical Interface, Host to SFP

Parameter	Symbol	Min.	Typ.	Max.	Unit	Note
TD+, TD- Input Voltage Swing	Vin+ Vin-	250		1200	mV	2
RD+, RD- Output Voltage Swing	Vout+ Vout-	250		800	mV	2
Rise Time (Receiver)	tr		180	250	ps	1
Fall Time (Receiver)	tf		180	250	ps	1
Tx Input Impedance	Zin		50		Ohm	2
Rx Output Impedance	Zout		50		Ohm	2

Notes: 1. 20% to 80% value 2. Single ended

High-Speed Electrical Interface, Cable to SFP

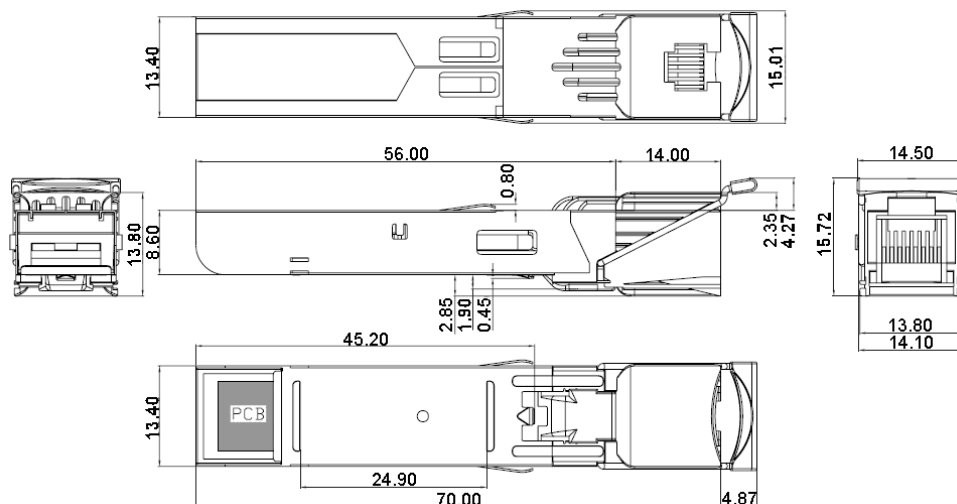
Parameter	Symbol	Min.	Typ.	Max.	Unit	Note
Transmission Frequency	ft		125		MHz	1
Tx Output Impedance	Zout.Tx		100		Ohm	2
Rx Output Impedance	Zin.Rx		100		Ohm	2

Notes: 1. 4D-PAM-5 encoding per IEEE802.3: 2002 2. Differential for frequencies ranging from 1MHz to 125MHz

MTBF

60% Confidence Level, 25°C		90% Confidence Level, 25°C	
MTBF	FIT	MTBF	FIT
1848923	541	739569	1352

DIMENSIONS (unit=mm)



*All dimensions are ±0.10mm unless otherwise specified

ORDERING INFORMATION

Part Number	Description
8330-168	10/100/1000Base-T, SFP, 100m, 3.3V, -10~70°C
8330-168-E	10/100/1000Base-T, SFP, 100m, 3.3V, -40~85°C

Lantech Communications Global Inc.

www.lantechcom.tw
info@lantechcom.tw

© 2010 Copyright Lantech Communications Global Inc. all rights reserved.
The revise authority rights of product specifications belong to Lantech Communications Global Inc.
Lantech may make changes to specification and product descriptions at anytime, without notice.